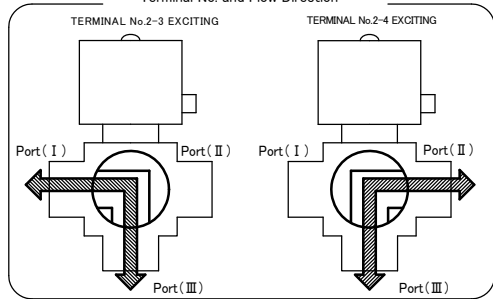


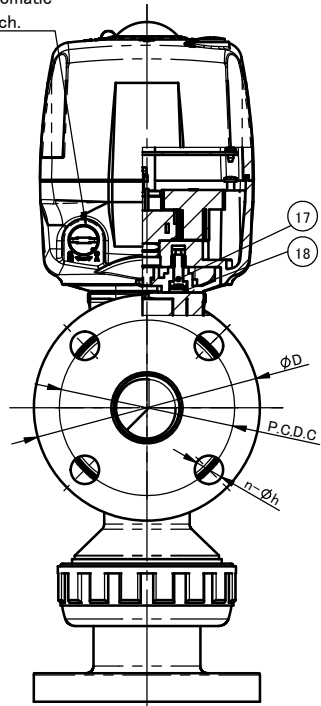
**DIMENSIONS TABLE**

NOMINAL SIZE	Unit:inch																												ACTUATOR MODEL
	FLANGED END										SOCKET END (IPS)								THREADED END										
	ANSI Class 150										PVC, C-PVC				PP, PVDF														
											ASTM SCH80																		
d	d'	D	C	n	h	L	t	H1		d1	d1'	ℓ	L	H1	d1	ℓ	L	H1	d2	ℓ	L	H1	D1	H	A	A1	A2	A3	
1/2"	15mm	0.59	0.59	3.50	2.38	4	0.62	5.63	0.47	3.70	0.848	0.836	0.875	4.45	3.08	0.83	0.87	4.45	3.09	1/2 - 14 NPT	0.59	4.02	2.89	1.89	7.30	2.85	4.02	2.36	2.36
3/4	20	0.79	0.79	3.88	2.75	4	0.62	6.77	0.55	4.50	1.058	1.046	1.000	5.08	3.56	1.03	1.00	5.08	3.61	3/4 - 14 NPT	0.67	4.72	3.48	2.36	7.64	2.85	4.02	2.36	2.36
1	25	0.98	0.98	4.25	3.12	4	0.62	7.36	0.55	5.24	1.325	1.310	1.125	5.75	4.32	1.30	1.13	5.75	4.37	1 - 11 1/2 NPT	0.79	5.16	4.13	2.76	7.91	2.85	4.02	2.36	2.36
1 1/4	32	1.57	1.26	4.62	3.50	4	0.62	8.35	0.63	6.50	1.670	1.655	1.250	6.85	5.51	1.65	1.25	7.04	5.75	1 1/4 - 11 1/2 NPT	0.87	6.42	5.53	3.94	8.52	2.85	4.02	2.36	2.36
1 1/2	40	1.57	1.26	5.00	3.88	4	0.62	8.35	0.63	6.50	1.912	1.894	1.375	7.24	5.71	1.89	1.37	7.24	5.85	1 1/2 - 11 1/2 NPT	0.98	6.42	5.53	3.94	8.52	2.85	4.02	2.36	2.36
2	50	2.01	1.69	6.00	4.75	4	0.75	9.21	0.63	7.34	2.387	2.369	1.500	8.23	6.66	2.36	1.50	8.23	6.76	2 - 11 1/2 NPT	1.10	7.76	6.61	4.96	8.98	2.85	4.02	2.36	2.36

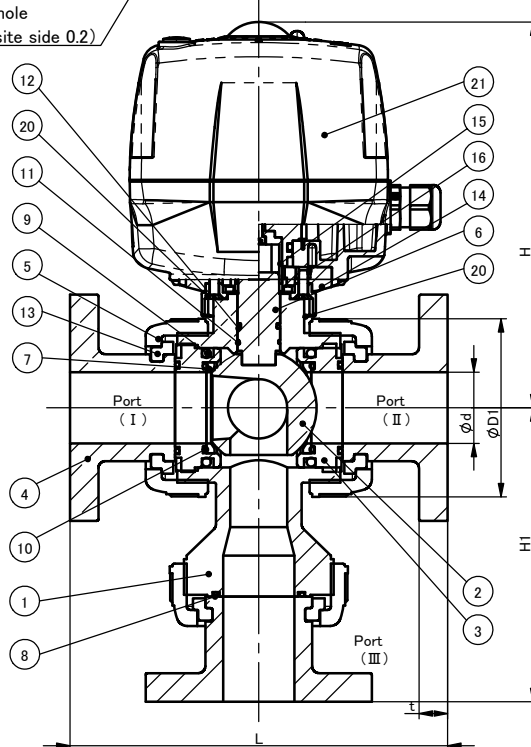
Terminal No. and Flow Direction



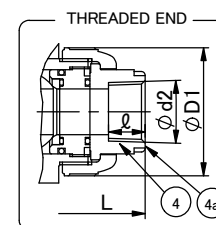
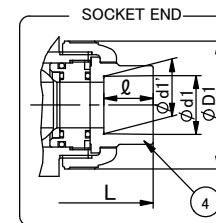
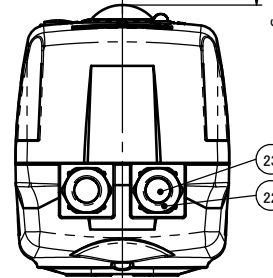
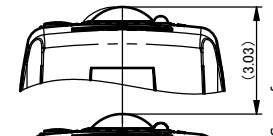
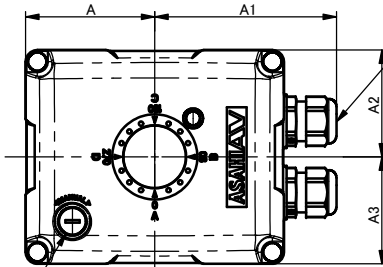
Manual/Automatic select switch.



Manual operation shaft (Hexagon hole the opposite side 0.2)



Cable entrance (Cablegrand) ϕ0.28~0.51



No.	DESCRIPTION	QTY.	MATERIAL	REMARKS
4a	Ring	3	SUS304	Used fo C-PVC Body. Threaded End:1/2"~2"
23	Cablegrand ceiling plug	1	CR	
22	Cablegrand	2	PA	
21	ACTUATOR	1	PC etc.	AV-Z025
20	Bolt	2	SUS304	
20	Base Plate	1	PPG	
18	Rubber CapM5)	4	EPDM	
17	Bolt	4	SUS304	
16	Nut	2	SUS304	
15	Bush	1	SMF5040	
14	Connector Plate	1	PC-GF	
13	Stop Ring	3	PVDF	Used for Flanged End
12	O-ring	1	<input type="checkbox"/> EPDM <input type="checkbox"/> FKM <input type="checkbox"/> Others	
11	O-ring	1		
10	O-ring	2		
9	O-ring	2		
8	O-ring	3		
7	Seat	2	PTFE	
6	Stem	1	<input type="checkbox"/> PVC <input type="checkbox"/> C-PVC <input type="checkbox"/> PP <input type="checkbox"/> PVDF	
5	Union nut	3		
4	End connector	3		
3	Carrier	2		
2	Ball	1		
1	Body	1		

ITEM	3-WAY BALL VALVE (TYPE23) ELECTRIC MODEL Z TYPE ASS'Y DOUBLE L-PORT TYPE ANSI: FLANGED END, <input type="checkbox"/> SOCKET END, <input type="checkbox"/> THREADED END 1/2" (15mm) ~ 2" (50mm)		
DRAWN	E. Enmei	DATE	SCALE
CHECKED	T. Iwamoto	Jun. 1, 2021	~
APPROVED	K. Koushou	DRAWING No. T3-AE012AE	
SPECIAL ORDER No.			
<b>ASAHI YUKIZAI CORPORATION</b>			