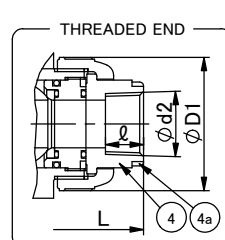
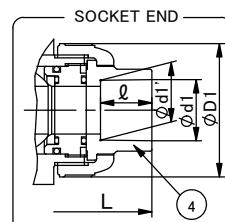
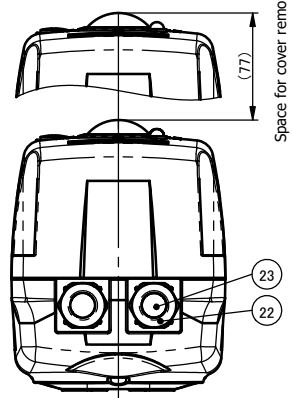
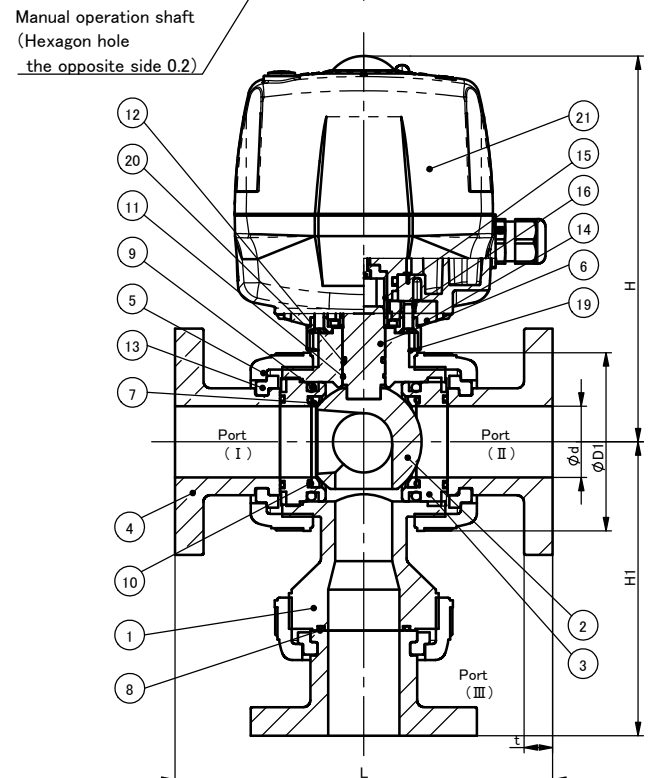
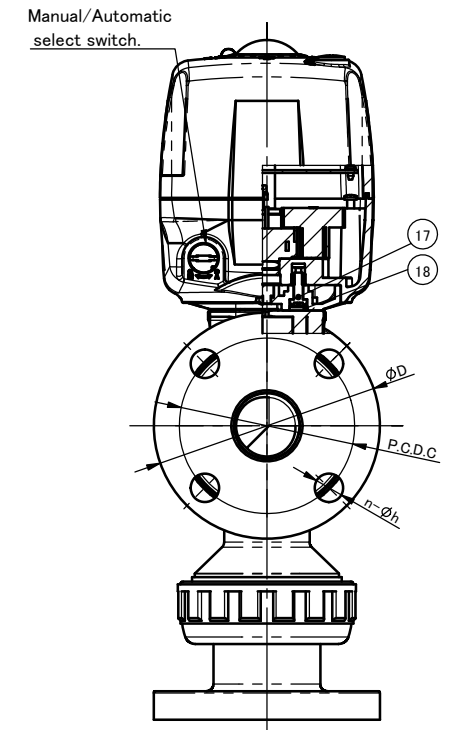
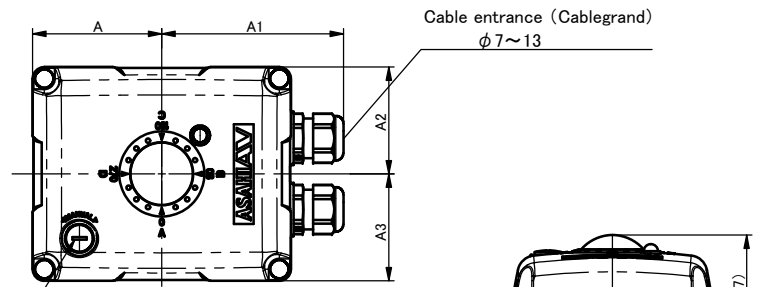
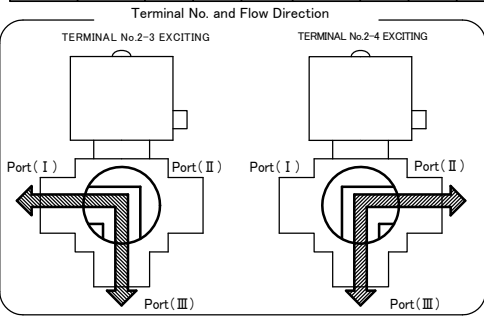


**DIMENSIONS TABLE**

NOMINAL SIZE		FLANGED END										SOCKET END (IPS)								THREADED END						ACTUATOR MODEL				
		ANSI Class 150										PVC, C-PVC				PP, PVDF														
												ASTM SCH80																		
		d	d'	D	C	n	h	L	t	H1		d1	d1'	ℓ	L	H1	d1	ℓ	L	H1	d2	ℓ	L	H1	D1		H	A	A1	A2
15mm	1/2"	15	15	89	60.5	4	16	143	12	94	21.54	21.23	22.22	113	78	20.96	22.2	113	79	1/2 - 14 NPT	15	102	74	48	185.5	72.5	102	60	60	AV-Z025
20	3/4	20	20	98	70.0	4	16	172	14	115	26.87	26.57	25.40	129	90	26.16	25.4	129	92	3/4 - 14 NPT	17	120	89	60	194	72.5	102	60	60	
25	1	25	25	108	79.5	4	16	187	14	133	33.65	33.27	28.58	146	110	33.02	28.6	146	111	1 - 11 1/2 NPT	20	131	105	70	201	72.5	102	60	60	
32	1 1/4	40	32	117	89.0	4	16	212	16	165	42.42	42.04	31.75	174	140	41.91	31.8	179	147	1 1/4-11 1/2NPT	22	163	141	100	216.5	72.5	102	60	60	
40	1 1/2	40	32	127	98.5	4	16	212	16	165	48.56	48.11	34.93	184	145	48.01	34.9	184	149	1 1/2-11 1/2 NPT	25	163	141	100	216.5	72.5	102	60	60	
50	2	51	43	152	120.5	4	19	234	16	187	60.63	60.17	38.10	209	169	59.94	38.1	209	172	2 - 11 1/2 NPT	28	197	168	126	228	72.5	102	60	60	



No.	DESCRIPTION	QTY.	MATERIAL	REMARKS
4a	Ring	3	SUS304	Used for C-PVC Body. Threaded End: 15~25mm
23	Cablegrand ceiling plug	1	CR	
22	Cablegrand	2	PA	
21	ACTUATOR	1	PC etc.	AV-Z025
20	Bolt	2	SUS304	
19	Base Plate	1	PPG	
18	Rubber Cap(M5)	4	EPDM	
17	Bolt	4	SUS304	
16	Nut	2	SUS304	
15	Bush	1	SMF5040	
14	Connector Plate	1	PC-GF	
13	Stop Ring	3	PVDF	Used for Flanged End
12	O-ring	1	<input type="checkbox"/> EPDM <input type="checkbox"/> FKM <input type="checkbox"/> Others	
11	O-ring	1		
10	O-ring	2		
9	O-ring	2		
8	O-ring	3		
7	Seat	2	PTFE	
6	Stem	1	<input type="checkbox"/> PVC <input type="checkbox"/> C-PVC <input type="checkbox"/> PP <input type="checkbox"/> PVDF	
5	Union nut	3		
4	End connector	3		
3	Carrier	2		
2	Ball	1		
1	Body	1		

ITEM	3-WAY BALL VALVE (TYPE23) ELECTRIC MODEL Z TYPE ASS'Y DOUBLE L-PORT TYPE ANSI: FLANGED END, <input type="checkbox"/> SOCKET END, <input type="checkbox"/> THREADED END 15mm (1/2") ~ 50mm (2")		
DRAWN	E. Enmei	DATE	SCALE
CHECKED	T. Iwamoto	Jun. 1. 2021	~
APPROVED	K. Koushou	DRAWING No. T3-AE012AEm	
SPECIAL ORDER No.			
<b>ASAHI YUKIZAI CORPORATION</b>			