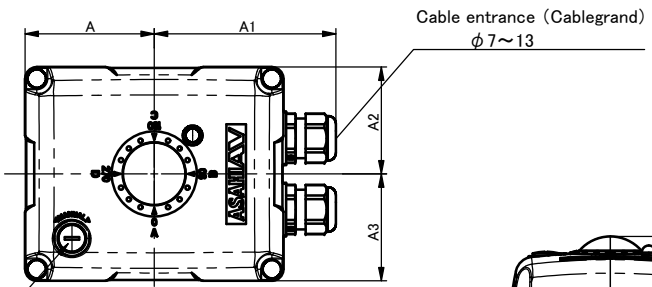
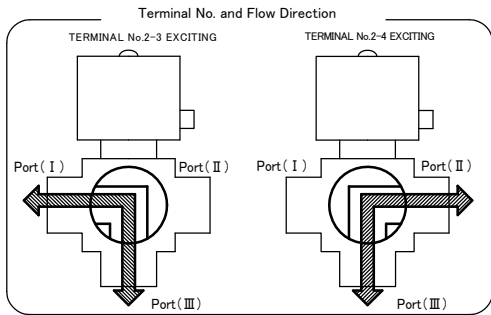


**DIMENSIONS TABLE**

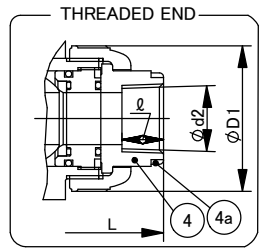
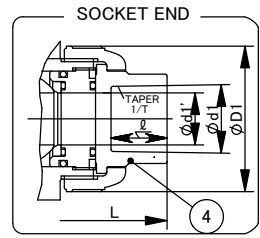
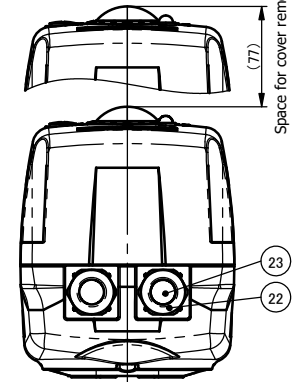
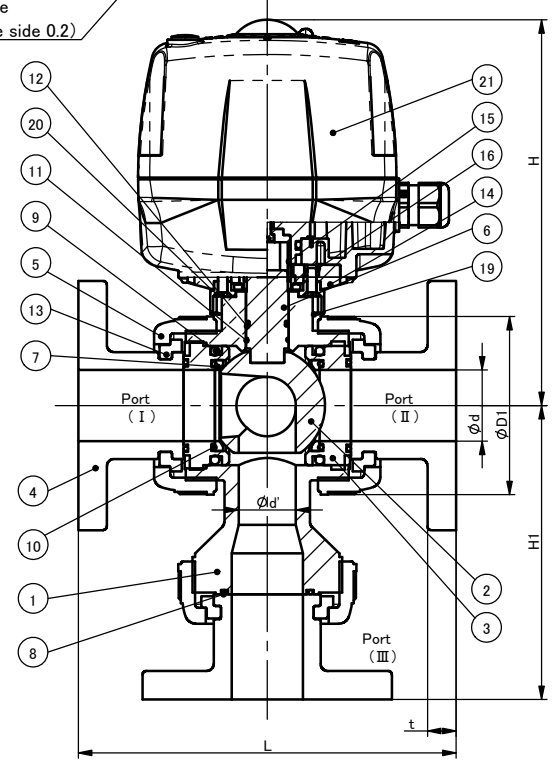
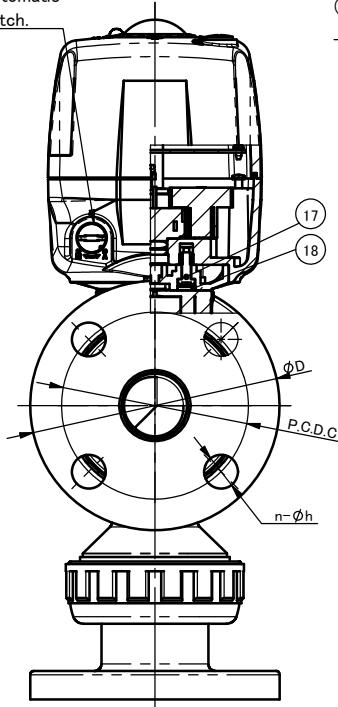
Unit:mm

NOMINAL SIZE	d	d'	FLANGED END												SOCKET END										THREADED END					Actuator Type					
			JIS5K				JIS10K				PVC, C-PVC				PP				D1	H	A	A1	A2	A3											
			D	C	n	h	D	C	n	h	L	t	H1	d11	φ	1/T	L	H1							d1	d1'	φ	L	H1		d2	φ	L	H1	
15mm 1/2"	15	15	80	60	4	12	95	70	4	15	172	14	115	22.11	20	1/34	109	77	21.2	20.2	20	108	77	Rc1/2	15	102	74	48	185.5	72.5	102	60	60	AV-Z025	
20	3/4	20	20	85	65	4	12	100	75	4	15	172	14	115	26.13	24	1/34	128	93	26.2	25.2	23	126	92	Rc3/4	17	120	89	60	194	72.5	102	60		60
25	1	25	25	95	75	4	12	125	90	4	19	187	14	133	32.16	27	1/34	145	112	33.0	32.0	25	141	110	Rc 1	20	131	105	70	201	72.5	102	60		60
32	1 1/4	40	32	115	90	4	15	135	100	4	19	212	16	165	38.19	30	1/34	174	146.5	-	-	-	-	-	Rc1 1/4	22	163	141	100	216.5	72.5	102	60		60
40	1 1/2	40	32	120	95	4	15	140	105	4	19	212	16	165	48.21	37	1/37	189	154	47.0	46.0	28	171	145	Rc1 1/2	25	163	141	100	216.5	72.5	102	60		60
50	2	51	43	130	105	4	15	155	120	4	19	234	16	187	60.25	42	1/37	220	180	59.0	58.0	28	192	166	Rc 2	28	197	168	126	228	72.5	102	60	60	



Manual/Automatic select switch.

Manual operation shaft (Hexagon hole the opposite side 0.2)



No.	DESCRIPTION	QTY.	MATERIAL	REMARKS
4a	Ring	3	SUS304	Used fo C-PVC Body. Threaded End:15~25mm
23	Cablegrand ceiling plug	1	CR	
22	Cablegrand	2	PA	
21	ACTUATOR	1	PC etc.	AV-Z-025
20	Bolt	2	SUS304	
19	Base Plate	1	PPG	
18	Rubber Cap(M5)	4	EPDM	
17	Bolt	4	SUS304	
16	Nut	2	SUS304	
15	Bush	1	SMF5040	
14	Connector Plate	1	PC-GF	
13	Stop Ring	3	PVDF	Used for Flanged End
12	O-ring	1	□ EPDM □ FKM □ Others ( )	
11	O-ring	1		
10	O-ring	2		
9	O-ring	2		
8	O-ring	3	PTFE	
7	Seat	2		
6	Stem	1	□ PVC □ C-PVC □ PP □ PVDF	
5	Union nut	3		
4	End connector	3		
3	Carrier	2		
2	Ball	1		
1	Body	1		

ITEM	3-WAY BALL VALVE (TYPE23) ELECTRIC MODEL Z TYPE ASS'Y DOUBLE L-PORT TYPE JIS: FLANGED END (□5K, □10K), □ SOCKET END, □ THREADED END 15mm (1/2") ~ 50mm (2")		
DRAWN	E. Enmei	DATE	SCALE
CHECKED	T. Iwamoto	Jun. 1. 2021	~
APPROVED	K. Koushou	DRAWING No. T3-AE012JE	
SPECIAL ORDER No.			
<b>ASAHI YUKIZAI CORPORATION</b>			