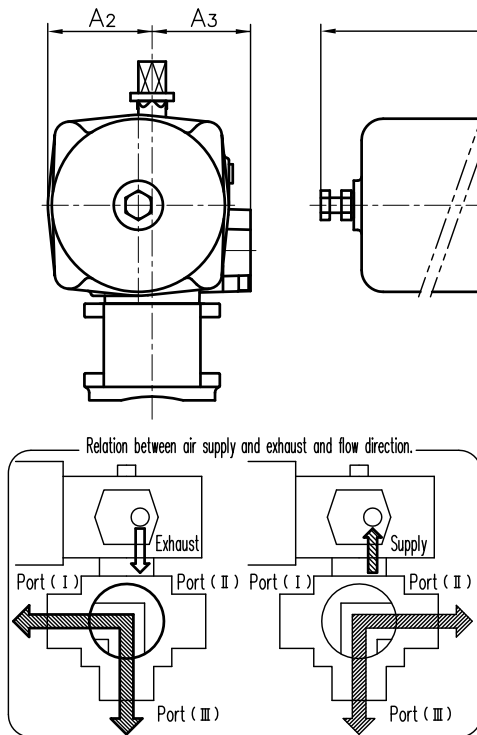


DIMENSIONS TABLE

NOMINAL SIZE	d	d'	FLANGED END																	SOCKET END (IPS)																	THREADED END																	UNIT : inch																
			ANSI Class 150								PVC, C-PVC									PP, PVDF																																																		
			D	C	n	h	L	t	H ₁		ASTM SCH40			ASTM SCH80			L	H ₁	d ₁	l	L	H ₁	d ₂	l	L	H ₁	D ₁	H	A	A ₁	A ₂	A ₃	P	ACTUATOR MODEL																																				
			d ₁	d ₁ '	l	L	d ₁	d ₁ '	l					L	H ₁	d ₁	l	L	H ₁																																																			
1/2"	15mm	0.59	0.59	3.50	2.38	4	0.62	5.63	0.47	3.70	-	-	-	-	0.848	0.836	0.875	4.45	3.08	0.83	0.87	4.45	3.09	1/2-14 NPT	0.59	4.02	2.89	1.89	6.28	7.64	2.17	1.81	1.81	1/4	TA2A-0402R																																			
3/4	20	0.79	0.79	3.88	2.75	4	0.62	6.77	0.55	4.50	-	-	-	-	1.058	1.046	1.000	5.08	3.56	1.03	1.00	5.08	3.61	3/4-14 NPT	0.67	4.72	3.48	2.36	6.54	7.64	2.17	1.81	1.81	1/4	TA2A-0402R																																			
1	25	0.98	0.98	4.25	3.12	4	0.62	7.36	0.55	5.24	-	-	-	-	1.325	1.310	1.125	5.75	4.32	1.30	1.13	5.75	4.37	1-11/2 NPT	0.79	5.16	4.13	2.76	6.81	7.64	2.17	1.81	1.81	1/4	TA2A-0402R																																			
1 1/4	32	1.57	1.26	4.62	3.50	4	0.62	8.35	0.63	6.50	-	-	-	-	1.670	1.655	1.250	6.85	5.51	1.65	1.25	7.04	5.75	1 1/4-11/2 NPT	0.87	6.42	5.53	3.94	8.82	9.45	4.13	2.09	1.97	1/4	TA2A-050R																																			
1 1/2	40	1.57	1.26	5.00	3.88	4	0.62	8.35	0.63	6.50	-	-	-	-	1.912	1.894	1.375	7.24	5.71	1.89	1.37	7.24	5.85	1 1/2-11/2 NPT	0.98	6.42	5.53	3.94	8.82	9.45	4.13	2.09	1.97	1/4	TA2A-050R																																			
2	50	2.01	1.69	6.00	4.75	4	0.75	9.21	0.63	7.34	-	-	-	-	2.387	2.369	1.500	8.23	6.66	2.36	1.50	8.23	6.76	2-11/2 NPT	1.10	7.76	6.61	4.96	9.27	9.45	4.13	2.09	1.97	1/4	TA2A-050R																																			
2 1/2	65	3.07	2.28	7.00	5.50	4	0.75	11.97	0.71	10.06	-	-	-	-	2.889	2.868	1.750	11.21	9.65	2.88	1.752	11.21	9.65	2 1/2-8 NPT	1.26	10.39	9.25	5.98	10.91	11.34	4.92	2.64	2.05	1/4	TA2A-063R																																			
3	80	3.07	2.28	7.50	6.00	4	0.75	11.97	0.71	10.06	-	-	-	-	3.516	3.492	1.875	11.10	9.59	3.48	1.874	11.10	9.59	3-8 NPT	1.38	10.39	9.25	5.98	10.91	11.34	4.92	2.64	2.05	1/4	TA2A-063R																																			
4	100	3.94	3.07	9.00	7.50	8	0.75	14.65	0.71	12.01	4.518	4.491	2.000	13.90	-	-	-	-	11.58	4.48	2.252	14.37	14.37	4-8 NPT	1.77	14.17	11.77	8.27	13.70	13.43	5.75	3.25	2.32	1/4	TA2A-080R																																			

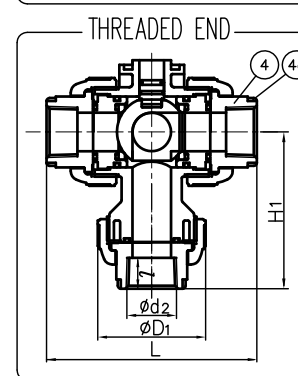
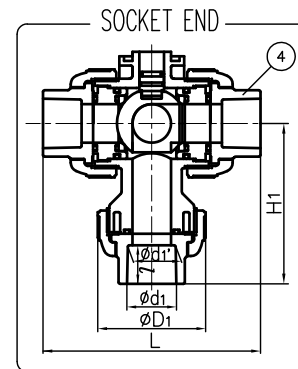
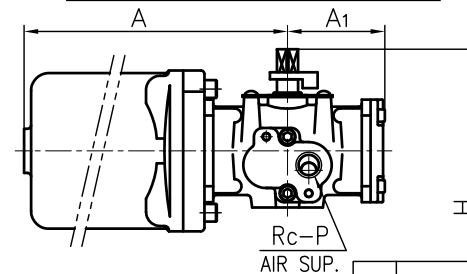
FLANGED END



NOTE.

- Operating pressure : 0.4MPa ~ 0.7MPa G
 Air to open : Port II → III : Air supply
 : Port I → III : Air exhaust
 Air to shut : Port II → III : Air exhaust
 : Port I → III : Air supply
- The shape and appearance of assembly differ a little with nominal size compared to this drawing.

Appearance of TA2A-0402R



4a	RING	3	STAINLESS STEEL (SUS304)	Used for C-PVC End Connector. Threaded End : 1/2~1"
28	SCREW (B)	2	STAINLESS STEEL (SUS304)	
27	BOLT · NUT (B)	4sets	STAINLESS STEEL (SUS304)	
26	BOLT (A)	4	STAINLESS STEEL (SUS304)	
25	JOINT	1	COPPER ALLOY (C3604)	
24	STAND	1	PPG	
23	ACTUATOR	1	ALUMINUM ALLOYS DIE CASTINGS (ADC12) etc.	Meramin Baking Coat.
13	STOP RING	3	PVDF	Used for Flanged End
12	O-RING (E)	1		
11	O-RING (D)	1	□ EPDM □ FKM □ others	Used for Size : 2 1/2~4" Used for Size : 1/2~2"
10	CUSHION	2		
9	O-RING (B)	2		
8	O-RING (A)	3		
7	SEAT	2	PTFE	
6	STEM	1		
5	UNION NUT	3	□ PVC □ C-PVC □ PP □ PVDF	
4	END CONNECTOR	3		
3	CARRIER	2		
2	BALL	1		
1	BODY	1		
No.	DESCRIPTION	No.REQ'D	MATERIAL	REMARKS

ITEM	3-WAY BALL VALVE (TYPE23) PNEUMATIC MODEL TA TYPE ASSY □ AIR TO OPEN, □ AIR TO SHUT : DOUBLE L-PORT TYPE ANSI: □ FLANGED END, □ SOCKET END, □ THREADED END 1/2" (15mm) ~ 4" (100mm)		
DRAWN	K.Sakiyama	DATE	SCALE
CHECKED	H.Kawano	JAN.16.2018	
APPROVED	H.Kourogi	DRAWING No.	
SPECIAL ORDER No.		T3-AA027AE	
ASAHI YUKIZAI CORPORATION			