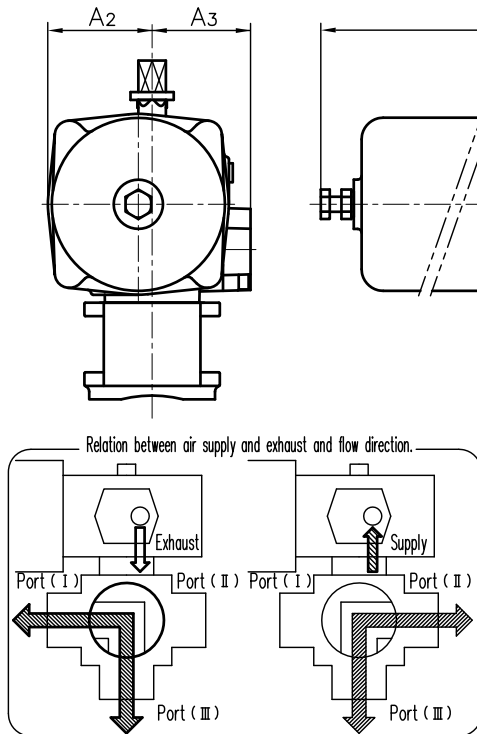


DIMENSIONS TABLE

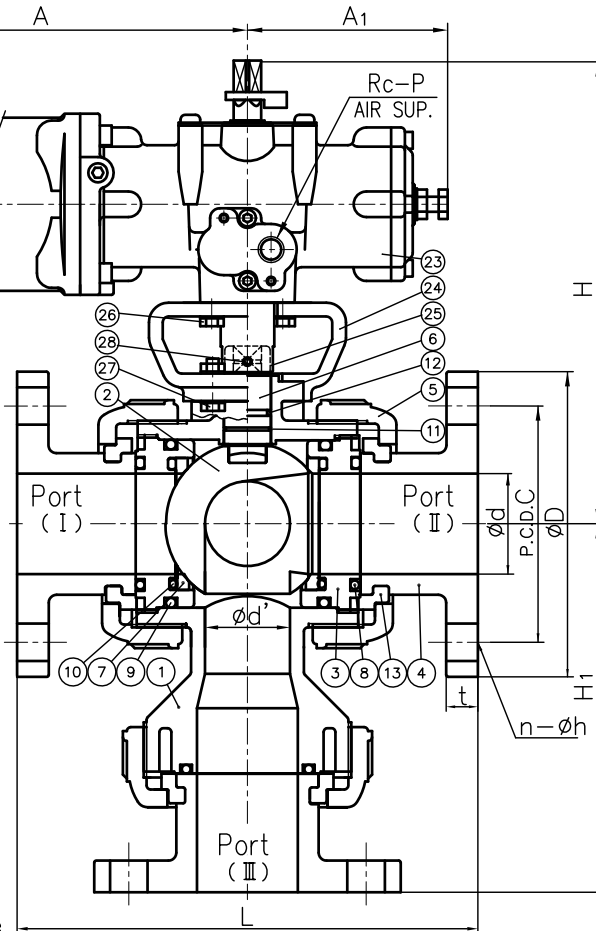
UNIT : mm

NOMINAL SIZE	d	d'	FLANGED END								SOCKET END (IPS)								THREADED END				D1	H	A	A1	A2	A3	P	ACTUATOR MODEL					
			ANSI Class 150				PVC,C-PVC				PP,PVDF				d2	l	L	H1																	
			D	C	n	h	L	t	H1	ASTM SCH40		ASTM SCH80		d1					l	L	H1														
			d1	d1'	l	L	d1	d1'	l	L	H1	d1	l	L					H1																
15mm	½"	15	15	89	60.5	4	16	143	12	94	-	-	-	-	21.54	21.23	22.22	113	78	20.96	22.2	113	79	½ - 14 NPT	15	102	74	48	159.5	194	55	46	46	¼	TA2A-0402R
20	¾"	20	20	98	70.0	4	16	172	14	115	-	-	-	-	26.87	26.57	25.40	129	90	26.16	25.4	129	92	¾ - 14 NPT	17	120	89	60	166.0	194	55	46	46	¼	TA2A-0402R
25	1"	25	25	108	79.5	4	16	187	14	133	-	-	-	-	33.65	33.27	28.58	146	110	33.02	28.6	146	111	1 - 1½ NPT	20	131	105	70	173.0	194	55	46	46	¼	TA2A-0402R
32	1¼"	40	32	117	89.0	4	16	212	16	165	-	-	-	-	42.42	42.04	31.75	174	140	41.91	31.8	179	147	1¼ - 1½ NPT	22	163	141	100	224.0	240	105	53	50	¼	TA2A-050R
40	1½"	40	32	127	98.5	4	16	212	16	165	-	-	-	-	48.56	48.11	34.93	184	145	48.01	34.9	184	149	1½ - 1½ NPT	25	163	141	100	224.0	240	105	53	50	¼	TA2A-050R
50	2"	51	43	152	120.5	4	19	234	16	187	-	-	-	-	60.63	60.17	38.10	209	169	59.94	38.1	209	172	2 - 1½ NPT	28	197	168	126	235.5	240	105	53	50	¼	TA2A-050R
65	2½"	78	58	178	139.5	4	19	304	18	256	-	-	-	-	73.381	72.847	44.50	285	246	73.125	44.5	285	246	2½ - 8 NPT	32	264	235	152	277.0	288	125	66.5	52	¼	TA2A-063R
80	3"	78	58	191	152.5	4	19	304	18	256	-	-	-	-	89.306	88.697	47.60	282	244	88.392	47.6	282	244	3 - 8 NPT	35	264	235	152	277.0	288	125	66.5	52	¼	TA2A-063R
100	4"	100	78	229	190.5	8	19	372	18	305	114.757	114.071	50.8	353	-	-	-	-	294	113.792	57.2	365	365	4 - 8 NPT	45	360	299	210	348.0	341	146	82.5	59	¼	TA2A-080R

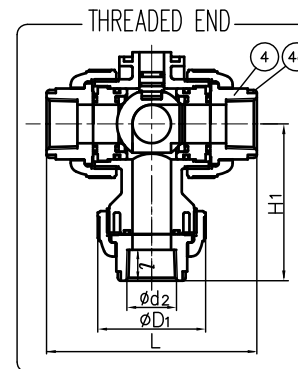
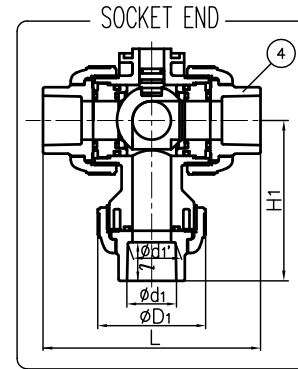
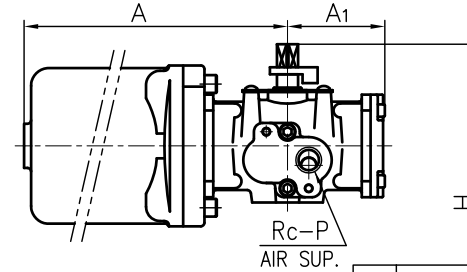
FLANGED END



NOTE.
 1. Operating pressure : 0.4MPa~0.7MPa G
 Air to open : Port II → III : Air supply
 : Port I → III : Air exhaust
 Air to shut : Port II → III : Air exhaust
 : Port I → III : Air supply
 2. The shape and appearance of assembly differ a little with nominal size compared to this drawing.



Appearance of TA2A-0402R



4a	RING	3	STAINLESS STEEL (SUS304)	Used for C-PVC End Connector. Threaded End : 15~25mm
28	SCREW (B)	2	STAINLESS STEEL (SUS304)	
27	BOLT · NUT (B)	4sets	STAINLESS STEEL (SUS304)	
26	BOLT (A)	4	STAINLESS STEEL (SUS304)	
25	JOINT	1	COPPER ALLOY (C3604)	
24	STAND	1	PPG	
23	ACTUATOR	1	ALUMINUM ALLOYS DIE CASTINGS (ADC12) etc.	Meramin Baking Coat.
13	STOP RING	3	PVDF	Used for Flanged End
12	O-RING (E)	1		
11	O-RING (D)	1	□ EPDM	
10	CUSHION	2	□ FKM	Used for Size : 65~100mm
9	O-RING (B)	2	□ others	Used for Size : 15~50mm
8	O-RING (A)	3	()	
7	SEAT	2	PTFE	
6	STEM	1		
5	UNION NUT	3	□ PVC	
4	END CONNECTOR	3	□ C-PVC	
3	CARRIER	2	□ PP	
2	BALL	1	□ PVDF	
1	BODY	1		
No.	DESCRIPTION	No.REQ'D	MATERIAL	REMARKS

ITEM	3-WAY BALL VALVE (TYPE23) PNEUMATIC MODEL TA TYPE ASSY □ AIR TO OPEN, □ AIR TO SHUT : DOUBLE L-PORT TYPE ANSI: □ FLANGED END, □ SOCKET END, □ THREADED END 15mm (½") ~ 100mm (4")		
DRAWN	K.Sakiyama	DATE	SCALE
CHECKED	H.Kawano	JAN.16.2018	~
APPROVED	H.Kourogi	DRAWING No.	
SPECIAL ORDER No.		T3-AA027AEm	
ASAHI YUKIZAI CORPORATION			