

DIMENSIONS TABLE

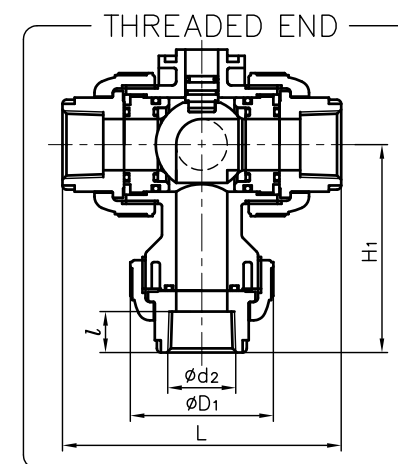
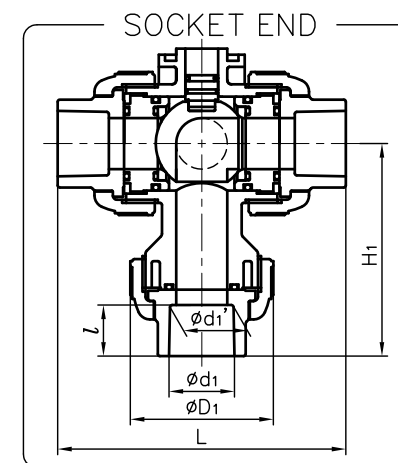
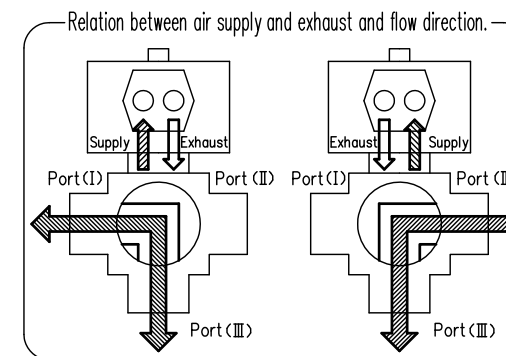
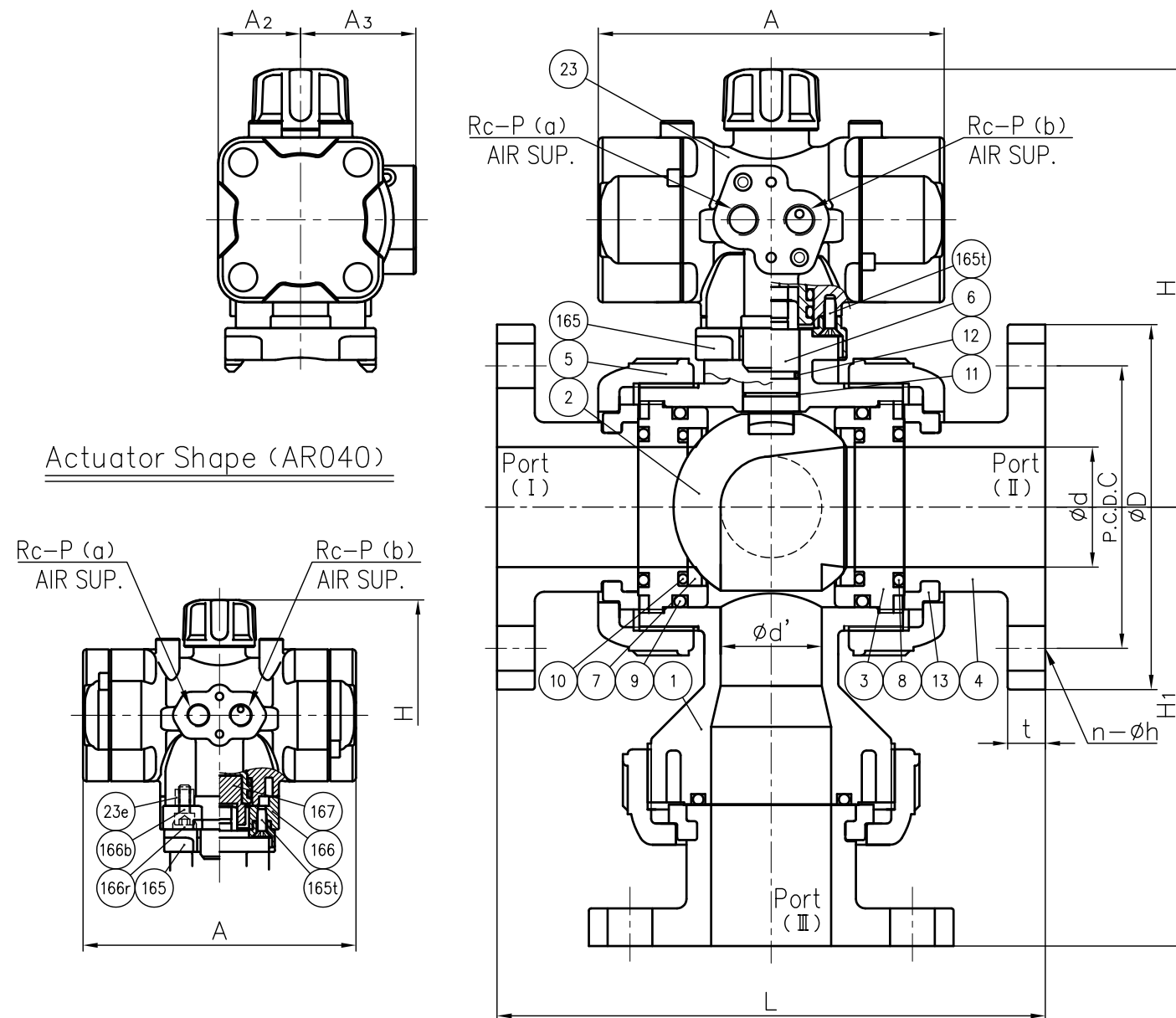
Unit: inch

Nominal Size	FLANGE END										SOCKET END				THREADED END				ACTUATOR TYPE											
	ANSI Class 150					PVC, C-PVC					PP,PVDF				d ₂	l	L	H ₁		D ₁	H	A	A ₂	A ₃	P					
	d	d'	D	C	n	h	L	t	H ₁	ASTM SCH80																				
										d ₁	d ₁ '	l	L	H ₁												d ₁	l	L	H ₁	
1/2"	15mm	0.59	0.59	3.50	2.38	4	0.62	5.63	0.47	3.70	0.848	0.836	0.875	4.45	3.08	0.83	0.87	4.45	3.09	1/2 - 14 NPT	0.59	4.02	2.89	1.89	5.16	4.57	1.10	1.50	1/8	AR040DA20SN
3/4"	20	0.79	0.79	3.88	2.75	4	0.62	6.77	0.55	4.50	1.058	1.046	1.000	5.08	3.56	1.03	1.00	5.08	3.61	3/4 - 14 NPT	0.67	4.72	3.48	2.36	5.41	4.57	1.10	1.50	1/8	AR040DA20SN
1"	25	0.98	0.98	4.25	3.12	4	0.62	7.36	0.55	5.24	1.325	1.310	1.125	5.75	4.32	1.30	1.13	5.75	4.37	1 - 11 1/2 NPT	0.79	5.16	4.13	2.76	5.69	4.57	1.10	1.50	1/8	AR040DA20SN
1 1/4"	32	1.57	1.26	4.62	3.50	4	0.62	8.35	0.63	6.50	1.670	1.655	1.250	6.85	5.51	1.65	1.25	7.04	5.75	1 1/4 - 11 1/2 NPT	0.87	6.42	5.53	3.94	6.87	5.79	1.38	1.93	1/4	AR050DA30NN
1 1/2"	40	1.57	1.26	5.00	3.88	4	0.62	8.35	0.63	6.50	1.912	1.894	1.375	7.24	5.71	1.89	1.37	7.24	5.85	1 1/2 - 11 1/2 NPT	0.98	6.42	5.53	3.94	6.87	5.79	1.38	1.93	1/4	AR050DA30NN
2"	50	2.01	1.69	6.00	4.75	4	0.75	9.21	0.63	7.34	2.387	2.369	1.500	8.23	6.66	2.36	1.50	8.23	6.76	2 - 11 1/2 NPT	1.10	7.76	6.61	4.96	7.32	5.79	1.38	1.93	1/4	AR050DA30NN

NOTE.

1. Operating Pressure : 0.4~0.7MPa G
2. Port I ↔ II : Port (a) supply Port (b) exhaust
Port II ↔ I : Port (a) exhaust Port (b) supply
3. The shape and appearance of assembly differ a little with nominal size compared to this drawing.

FLANGE END



4a	RING	3	STAINLESS STEEL (SUS304)	Used for C-PVC Body, Threaded End:
167	SHAFT ADAPTER	1	STAINLESS STEEL (SUS304)	Used for Actuator Type AR040
166r	CAP (No.166)	4	EPDM	
166b	BOLT (No.166)	4	STAINLESS STEEL (SUS304)	
166	CONNECTOR PLATE	1	PPG	
165t	TAPPING SCREW (No.165)	2	STAINLESS STEEL (SUS304)	
165	BASE PLATE	1	PPG	
23e	ENSAT (No.23)	4	STAINLESS STEEL (SUS303)	Used for Actuator Type AR040
23	ACTUATOR	1	PPG etc.	
13	STOP RING	3	PVDF	Used for Flanged End
12	O-RING (E)	1	□EPDM □FKM □Others	
11	O-RING (D)	1		
10	O-RING (C)	2		
9	O-RING (B)	2		
8	O-RING (A)	3		
7	SEAT	2	PTFE	
6	STEM	1	□PVC □C-PVC □PP □PVDF	
5	UNION NUT	3		
4	END CONNECTOR	3		
3	CARRIER	2		
2	BALL	1		
1	BODY	1		
No.	DESCRIPTION	QTY.	MATERIAL	REMARKS

ITEM	3-WAY BALL VALVE (TYPE 23) PNEUMATIC MODEL AR TYPE ASS'Y DOUBLE ACTING : DOUBLE L-PORT TYPE ANSI: □ FLANGED END, □ SOCKET END, □ THREADED END 1/2" (15mm) ~ 2" (50mm)		
DRAWN	S.Shimazaki	DATE	SCALE
CHECKED	H.Kawano	APR.22.2020	~
APPROVED	K.Koushou	DRAWING No.	
SPECIAL ORDER No.	T3-AA058AE		
ASAHI YUKIZAI CORPORATION			