

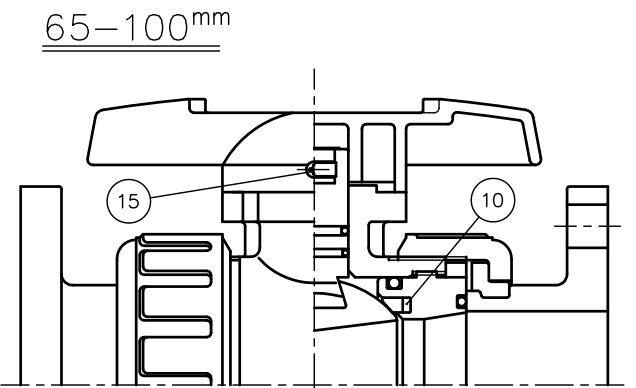
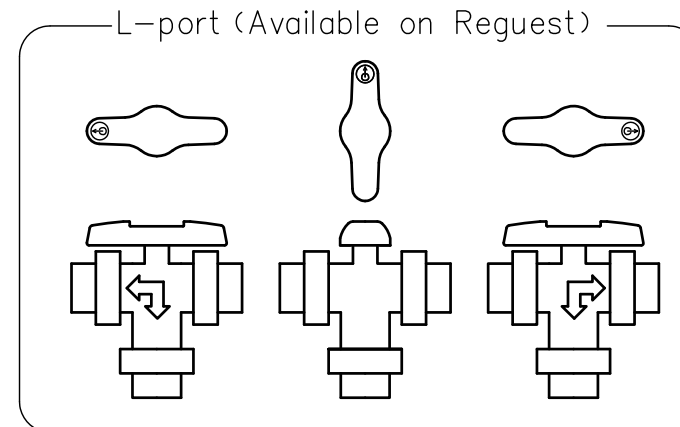
DIMENSIONS TABLE

NOMINAL SIZE	d	d'	FLANGED END											SOCKET END					THREADED END									
			JIS 5K				JIS 10K				L	t	H ₁	U-PVC, C-PVC			PP		d ₂	l	L	H ₁						
			D	C	n	h	D	C	n	h				d ₁	l	1/T	L	H ₁					d ₁	d ₁ '	l	L	H ₁	
15mm	1/2"	15	15	80	60	4	12	95	70	4	15	143	12	94	22.11	20	1/34	108	77	21.2	20.2	20	108	77	Rc 1/2	15	102	74
20	3/4	20	20	85	65	4	12	100	75	4	15	172	14	115	26.13	24	1/34	128	93	26.2	25.2	23	126	92	Rc 3/4	17	120	89
25	1	25	25	95	75	4	12	125	90	4	19	187	14	133	32.16	27	1/34	145	112	33.0	32.0	25	141	110	Rc 1	20	131	105
32	1 1/4	40	32	115	90	4	15	135	100	4	19	212	16	165	38.19	30	1/34	174	146.5	-	-	-	-	-	Rc 1 1/4	22	163	141
40	1 1/2	40	32	120	95	4	15	140	105	4	19	212	16	165	48.21	37	1/37	189	154	47.0	46.0	28	171	145	Rc 1 1/2	25	163	141
50	2	51	43	130	105	4	15	155	120	4	19	234	16	187	60.25	42	1/37	220	180	59.0	58.0	28	192	166	Rc 2	28	197	168
65	2 1/2	78	58	155	130	4	15	175	140	4	19	304	18	256	76.6	61	1/48	316	261	75.0	73.0	35	264	235	Rc 2 1/2	32	264	235
80	3	78	58	180	145	4	19	185	150	8	19	304	18	256	89.60	64	1/49	316	261	88.0	86.0	35	258	232	Rc 3	35	264	235
100	4	100	78	200	165	8	19	210	175	8	19	372	18	305	114.70	84	1/56	418	328	113.0	111.0	45	340	289	Rc 4	45	360	299

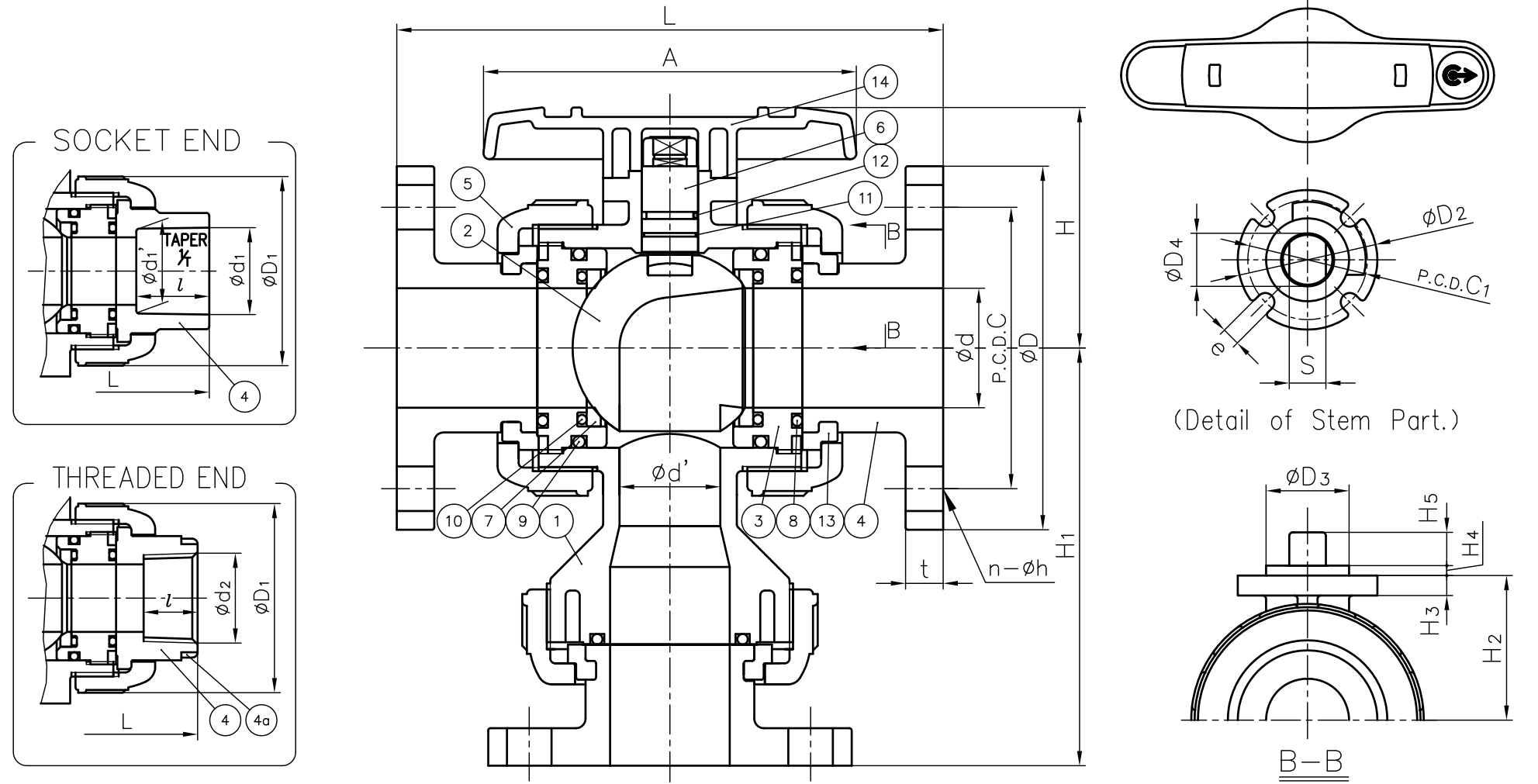
UNIT : mm

NOMINAL SIZE	D ₁	D ₂	D ₃	D ₄	C ₁	H	H ₂	H ₃	H ₄	H ₅	A	S	e	
15mm	1/2"	48	42	25	13.5	36	51.5	30	6	3	8	92	10.5	5.5
20	3/4	60	42	25	15	36	59.5	36.5	6	3	10	100	11	5.5
25	1	70	42	25	15	36	68	43.5	6	3	10	110	11	5.5
32	1 1/4	100	57	35	23	50	89	61	10	3	12	131	18	6.5
40	1 1/2	100	57	35	23	50	89	61	10	3	12	131	18	6.5
50	2	126	57	35	23	50	102.5	72.5	10	3	12	159	18	6.5
65	2 1/2	152	81	55	30	70	140	94	13	3	19	240	24	9
80	3	152	81	55	30	70	140	94	13	3	19	240	24	9
100	4	210	116	70	40	102	178	126	16	3	23	300	34	11

NOTE. The shape and appearance of assembly differ a little with nominal size compared to this drawing.



FLANGED END



4a	RING	3	STAINLESS STEEL (SUS304)	Used for C-PVC Body, Threaded End:15-25mm	
15	TAPPING SCREW (A)	1	STAINLESS STEEL (SUS304)	Used for Size 65-100mm	
14	HANDLE	1	ABS		
13	STOP RING	3	PVDF	Used for Flanged End	
12	O-RING (E)	1	□EPDM □FKM □Others ()		
11	O-RING (D)	1			
10	CUSHION O-RING (C)	2 2			Used for Size 65-100mm Used for Size 15-50mm
9	O-RING (B)	2			
8	O-RING (A)	3			
7	SEAT	2	PTFE		
6	STEM	1			
5	UNION NUT	3			
4	END CONNECTOR	3	□PVC □C-PVC □PP		
3	CARRIER	2	□PVDF		
2	BALL	1			
1	BODY	1			
No.	DESCRIPTION	QTY.	MATERIAL	REMARKS	

ITEM	3-WAY BALL VALVE (TYPE 23) ASS'Y JIS: □FLANGED END, □SOCKET END, □THREADED END 15mm (1/2") ~100mm (4")		
DRAWN	E.Ozaki	DATE	SCALE
CHECKED	H.Kawano	APR.08.2014	~
APPROVED	K.Kamita	DRAWING No. T3-M1003JE	
SPECIAL ORDER No.			
ASAHI YUKIZAI CORPORATION			