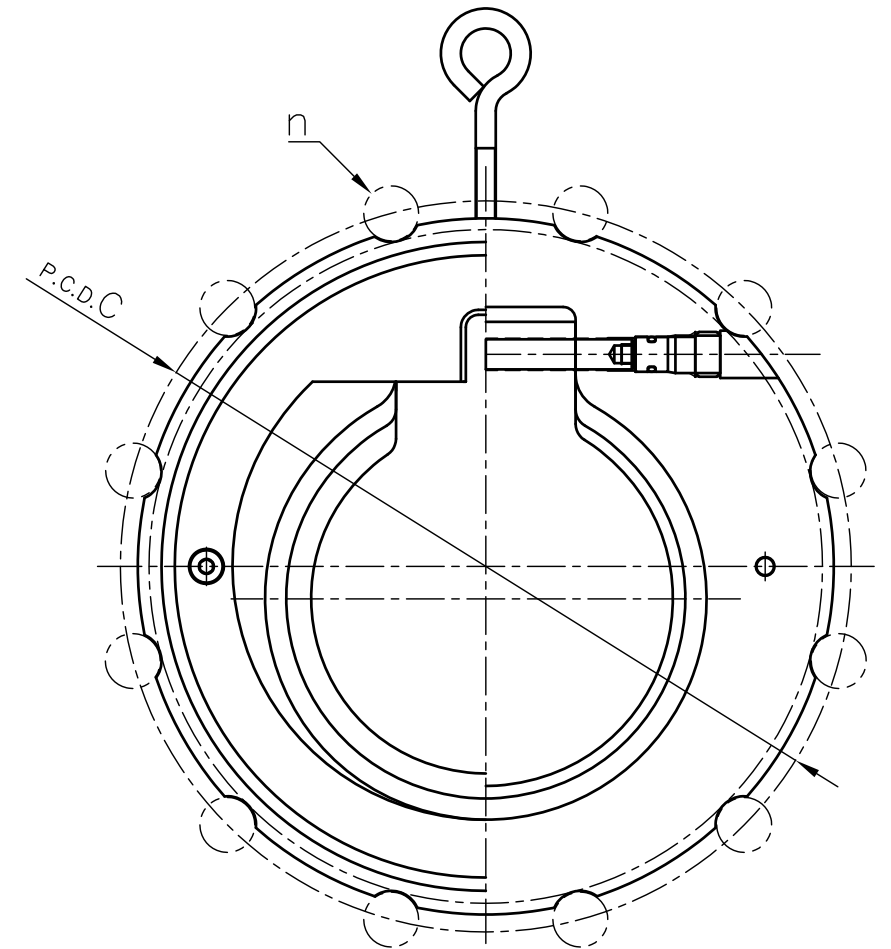
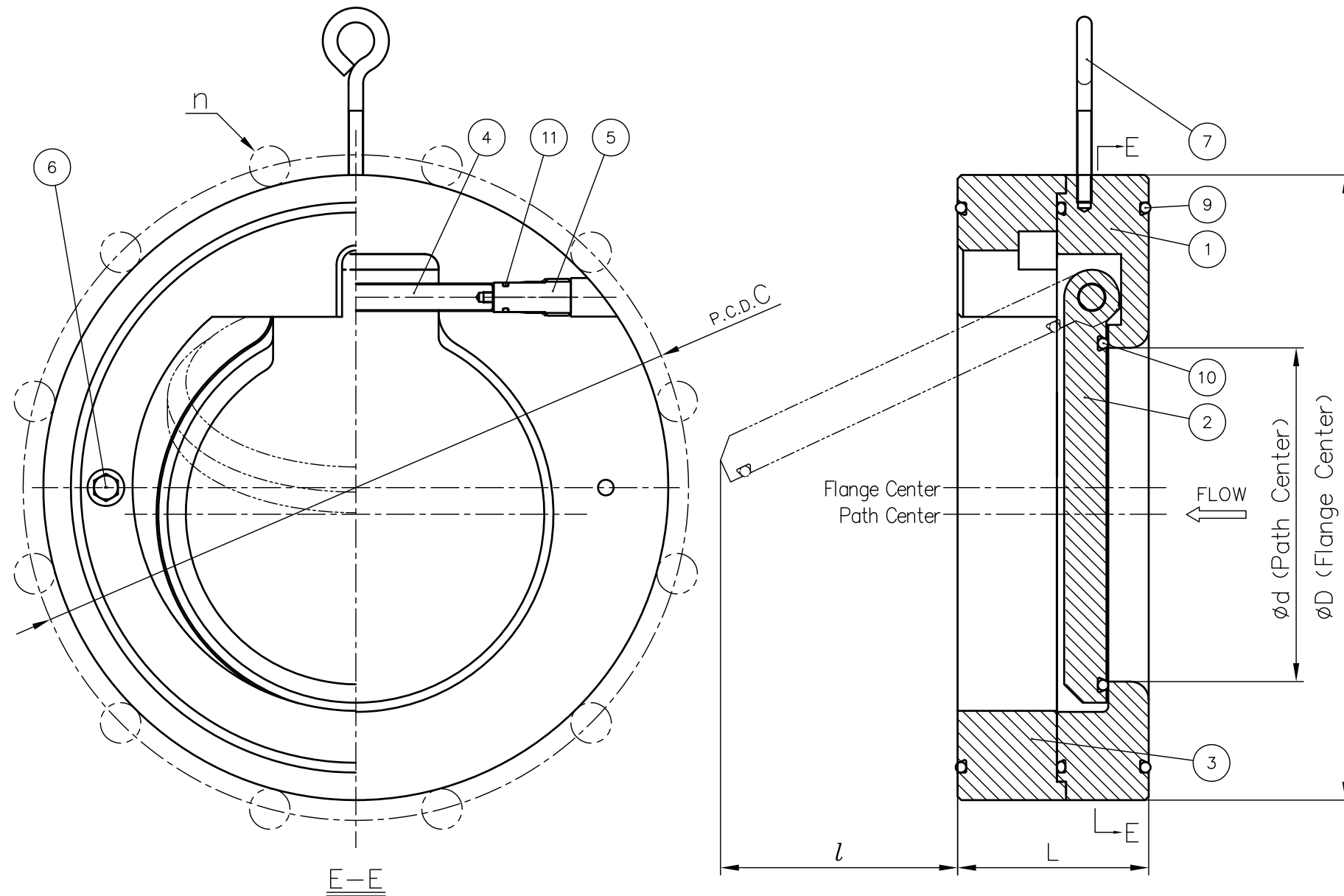


125^{mm} (5"), 150^{mm} (6"),
250^{mm} (10"), 300^{mm} (12")

80^{mm} (3"), 100^{mm} (4"), 200^{mm} (8")



DIMENSIONS TABLE

Unit : mm

Nominal Size	JIS 10K		d	D	L	l
	C	n				
80 ^{mm} 3"	150	8	47	144	63	22.6
100	175	8	52	175	70	34.9
125	210	8	77	190	76	50.9
150	240	8	92	220	82	64.8
200	290	12	132	279	101	93.6
250	355	12	177	333	114	129.0
300	400	16	217	378	115	165.6

Note. The shape and appearance of the assembly differ a little with nominal size and a connection standard of this drawing.

11	O-RING (C)	1		
10	O-RING (B)	1	<input type="checkbox"/> EPDM <input type="checkbox"/> FKM	
9	O-RING (A)	3		
7	I BOLT	1	CHROMIZED STEEL (SS400)	Unichrome
6	BOLT	2		
5	SHAFT PLUG	1		
4	SHAFT	1	PVC	
3	STOPPER	1		
2	DISC	1		
1	BODY	1		
No.	DESCRIPTION	QTY.	MATERIAL	REMARKS

ITEM	WAFER CHECK VALVE ASS'Y JIS 10K 80 ^{mm} (3") ~ 300 ^{mm} (12")			
DRAWN	E.Emmei	DATE	SCALE	
CHECKED	H.Kawano	APR.10.2014	DRAWING No.	
APPROVED	K.Kamita	WC-60003JE	2	
SPECIAL ORDER No.				
ASAHI YUKIZAI CORPORATION				