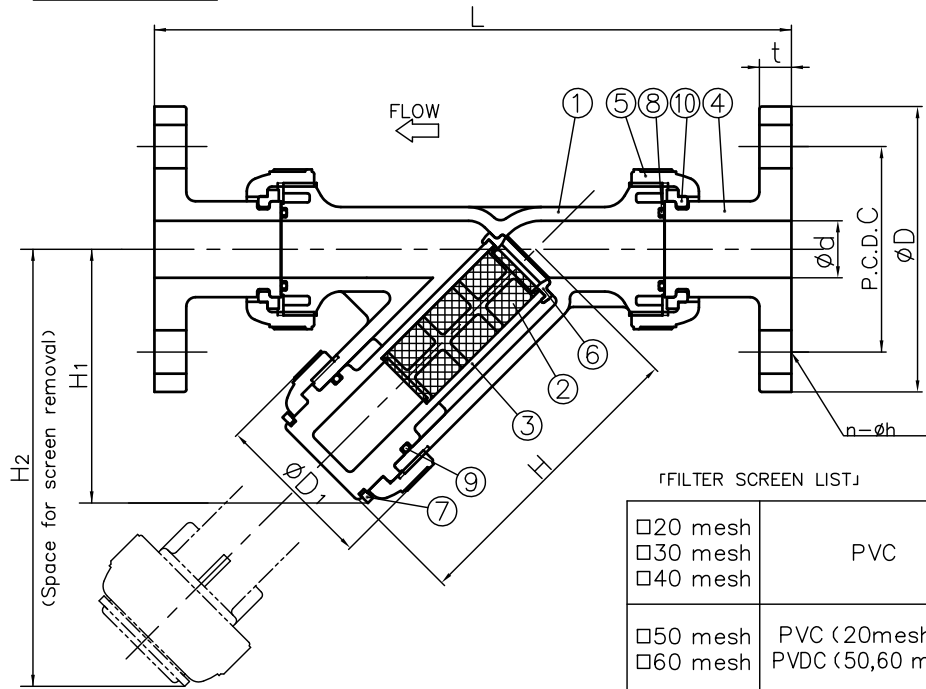


FLANGED END



「FILTER SCREEN LIST」

□20 mesh	PVC
□30 mesh	
□40 mesh	
□50 mesh	PVC (20mesh) + PVDC (50,60 mesh)
□60 mesh	

DIMENSIONS TABLE

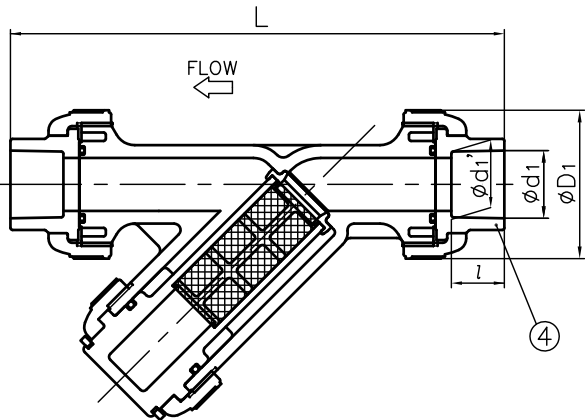
NOMINAL SIZE	FLANGED END							d	D ₁	H	H ₁	H ₂
	ANSI Class 150				L	t	d					
	D	C	n	h								
½"	15mm	3.50	2.38	4	0.62	8.11	0.47	0.59	1.89	3.82	3.07	5.28
¾"	20	3.88	2.75	4	0.62	10.00	0.55	0.79	2.36	4.72	3.86	6.61
1"	25	4.25	3.12	4	0.62	11.02	0.55	0.98	2.76	5.24	4.37	7.44
1¼"	32	4.62	3.50	4	0.62	13.23	0.63	1.57	3.94	6.97	5.87	10.08
1½"	40	5.00	3.88	4	0.62	13.23	0.63	1.57	3.94	6.97	5.87	10.08
2"	50	6.00	4.75	4	0.75	14.21	0.63	2.01	4.17	7.48	6.30	10.91
2½"	65	7.00	5.49	4	0.75	18.78	0.71	3.07	5.98	10.67	9.21	15.71
3"	80	7.50	6.00	4	0.75	18.78	0.71	3.07	5.98	10.67	9.21	15.71
4"	100	9.00	7.50	8	0.75	23.94	0.71	3.94	8.27	14.21	12.44	21.14

UNIT: inch

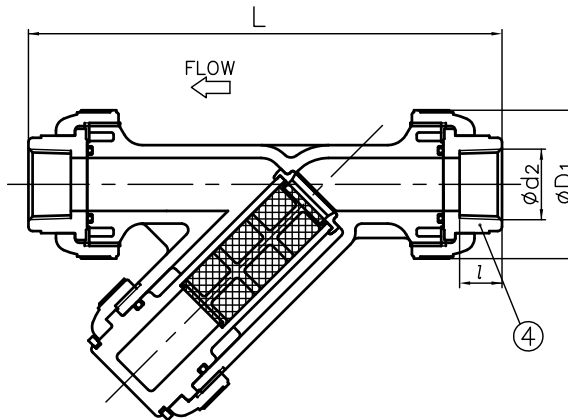
NOMINAL SIZE	SOCKET END						THREADED END				
	ASTM SCH40			ASTM SCH80			L	d ₂	l	L	
	d ₁	d ₁ '	l	d ₁	d ₁ '	l					
½"	15mm	-	-	-	0.848	0.836	0.875	6.93	½-14 NPT	0.59	6.50
¾"	20	-	-	-	1.058	1.046	1.000	8.31	¾-14 NPT	0.67	7.95
1"	25	-	-	-	1.325	1.310	1.125	9.37	1-11½ NPT	0.79	8.82
1¼"	32	-	-	-	1.670	1.655	1.250	11.73	1¼-11½ NPT	0.87	11.30
1½"	40	-	-	-	1.912	1.894	1.375	12.13	1½-11½ NPT	0.98	11.30
2"	50	-	-	-	2.387	2.369	1.500	13.31	2-11½ NPT	1.10	12.76
2½"	65	-	-	-	2.889	2.868	1.752	17.95	2½-8 NPT	1.26	17.17
3"	80	-	-	-	3.516	3.492	1.875	17.83	3-8 NPT	1.38	17.17
4"	100	4.518	4.491	2.000	-	-	-	23.07	4-8 NPT	1.77	23.46

NOTE. The shape and appearance of assembly differ a little with nominal size compared to this drawing.

SOCKET END



THREADED END



No.	DESCRIPTION	No.REQ'D	MATERIAL	REMARKS
10	STOP RING	2	PVDF	used for Flanged end
9	O-RING (B)	1	□ EPDM □ FKM □ others()	
8	O-RING (A)	2		
7	SPLIT RING	1		
6	RETAINING RING	1		
5	UNION NUT	3	PVC	↳ Transparent
4	END CONNECTOR	2		
3	SCREEN SUPPORT	1		
2	FILTER SCREEN	1		
1	BODY 1)	1		

ITEM	SEDIMENT STRAINERS ASS'Y ANSI : □ FLANGED END, □ SOCKET END, □ THREADED END ½" (15mm) ~ 4" (100mm)		
DRAWN	M.Iwakiri	DATE	SCALE
CHECKED	H.Kawano	AUG.24.2018	~
APPROVED	K.Koushou	DRAWING No. YS-60003AE	
SPECIAL ORDER No.			
ASAHI YUKIZAI CORPORATION			