

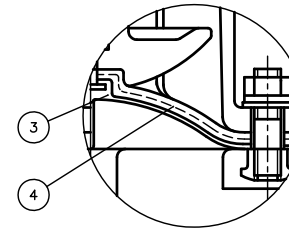
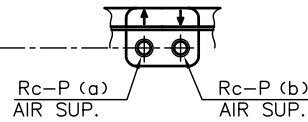
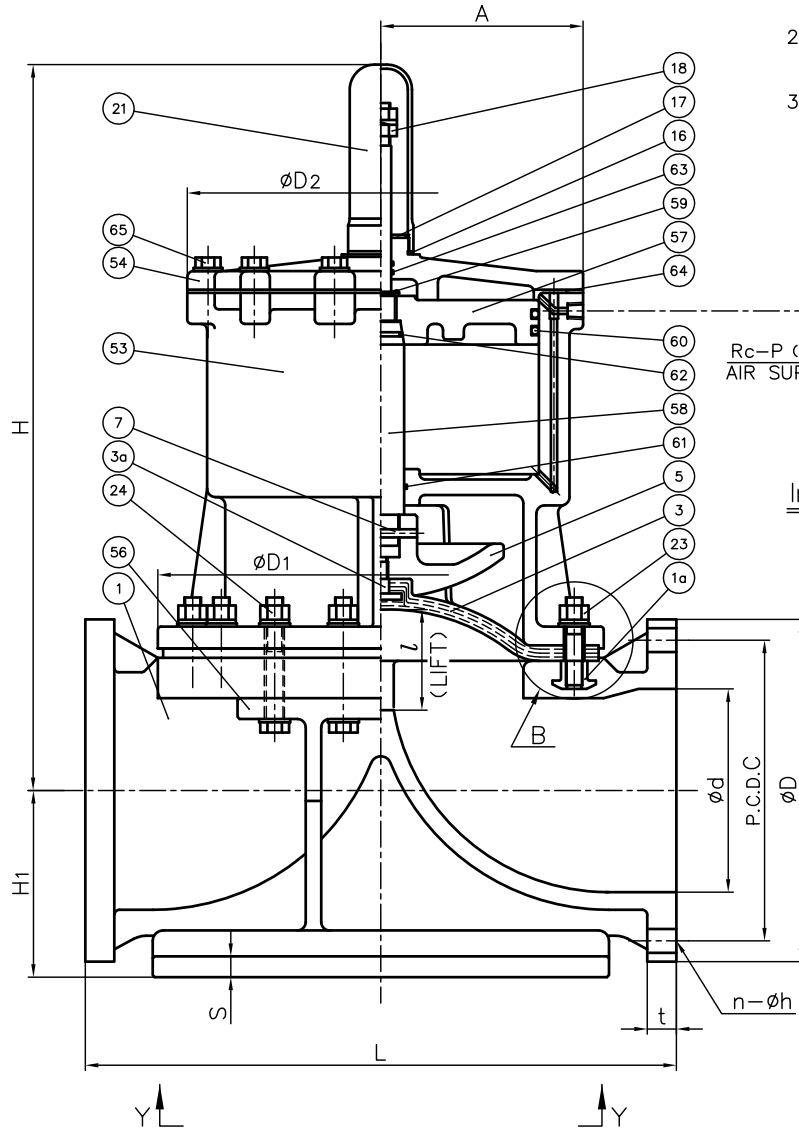
DIMENSIONS TABLE

UNIT : inch

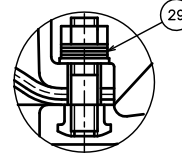
NOMINAL SIZE	d	ANSI Class 150				L	t		D1	D2	A	l	H	H1	S	S1	S2	S3	S4	S5	P
		D	C	n	h		PVC	PP PVDF													
8" 200mm	7.72	13.50	11.75	8	0.88	22.44	1.10	1.26	16.93	15.16	7.68	3.74	29.21	7.05	0.79	15.35	17.32	12.99	16.93	0.91	3/8
10 250	9.72	16.00	14.25	12	1.00	26.77	1.18	1.46	21.26	20.47	10.24	5.04	35.04	8.46	0.91	18.50	21.26	15.35	21.26	0.98	3/8

NOTE.

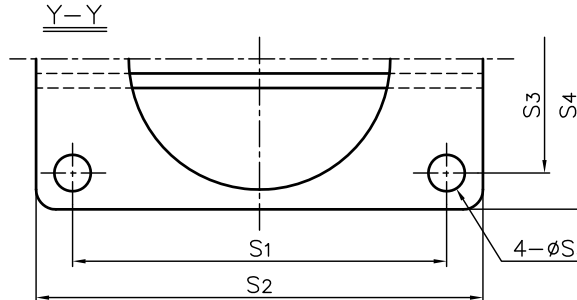
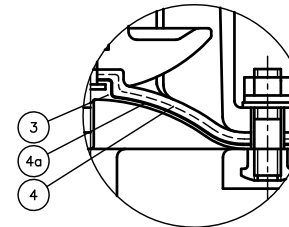
1. Operation of permission pressure: 0.4~0.6MPa G
Valve open : Port (a) Supply, Port (b) Exhaust
Valve shut : Port (a) Exhaust, Port (b) Supply
2. Diaphragms except EPDM and PTFE are available in FKM, VIFLON-C (FKM-C), VIFLON-F (FKM-F), CSM and NBR when required.
3. The shape and appearance of assembly differ a little with nominal size compared to this drawing.



In Case of PVDF Body



"B" Part



1a	INSERTED NUT	—	STAINLESS STEEL (SUS304) COPPER ALLOY (C3604)	Used for PVDF Body Used for PVC, PP Body
65	BOLT (A)	—	STAINLESS STEEL (SUS304)	
64	SHEET GASKET (C)	1	NBR	
63	O-RING (G)	2	NBR	
62	O-RING (F)	1	NBR	
61	O-RING (E)	1	NBR	
60	O-RING (D)	2	NBR	
59	STEM PIN	1	SPRING STEEL (SUP)	
58	STEM (A)	1	STAINLESS STEEL (SUS304)	
57	PISTON	1	CAST ALUMINIUM ALLOY (AC5A)	
56	STAND (A)	1	CAST ALUMINIUM ALLOY (AC4C)	Epoxy Coat
54	CYLINDER BONNET	1	CAST ALUMINIUM ALLOY (AC4C)	Epoxy Coat
53	CYLINDER BODY	1	CAST ALUMINIUM ALLOY (AC4C)	Epoxy Coat
29	CONICAL SPRING WASHER	—	STAINLESS STEEL (SUS304)	Used for PVDF Body
24	BOLT · NUT (A)	8 Sets	STAINLESS STEEL (SUS304)	
23	STUD BOLT · NUT	—	STAINLESS STEEL (SUS304)	
21	GAUGE COVER	1	PC	
18	STOPPER	1	STAINLESS STEEL (SUS304)	
17	SHEET RING	1	STAINLESS STEEL (SUS304)	
16	SHEET GASKET (A)	1	EPDM	
7	COMPRESSOR PIN	1	STAINLESS STEEL (SUS304)	
5	COMPRESSOR	1	Chromized CAST IRON (FC200)	
4a	CUSHION COVER	1	Nothing □PVDF	Used for PTFE Diaphragm
4	CUSHION	1	EPDM	
3a	INSERTED METAL OF DIAPHRAGM (A)	1	STAINLESS STEEL (SUS304)	
3	DIAPHRAGM	1	□EPDM □PTFE □Others ()	
1	BODY	1	□PVC □PP □PVDF	

No.	DESCRIPTION	QTY.	MATERIAL	REMARKS
ITEM	DIAPHRAGM VALVE (TYPE 72) PNEUMATIC ACTUATED MODEL TYPE AV ASS'Y DOUBLE ACTING ANSI Class 150 : FLANGED END 8" (200mm), 10" (250mm)			
DRAWN	M. Iwakiri	DATE	SCALE	
CHECKED	Y. Sato	APR. 19. 2024		
APPROVED	K. Yoshino	DRAWING No.		
		DF-AA005AE		4
SPECIAL ORDER No.	ASAHI YUKIZAI CORPORATION			