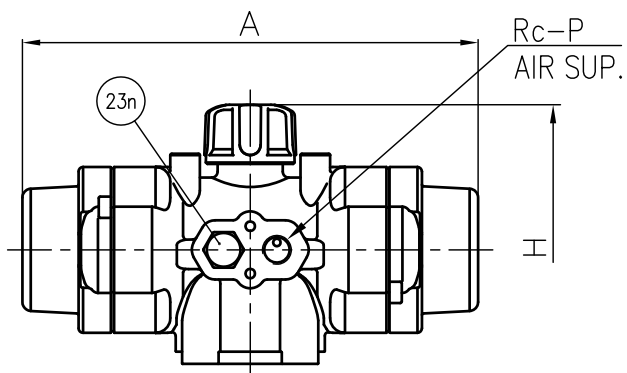


Actuator Shape (AR040)



DIMENSIONS TABLE

Nominal Size	FLANGE END								SOCKET END						THREADED END				
	ANSI Class 150								PVC, C-PVC			PP,PVDF			L				
									ASTM SCH80										
	d	D	C	n	h	L	t		d ₁	d ₁ '	l	L	d ₁	l	L	d ₂	l	PVC C-PVC	PP PVDF
15mm	1/2"	15	89	60.5	4	16	143	12	21.54	21.23	22.22	113	20.96	22.2	112	1/2 - 14 NPT	15	102	100
20	3/4	20	98	70	4	16	172	14	26.87	26.57	25.40	129	26.16	25.4	127	3/4 - 14 NPT	17	120	119
25	1	25	108	79.5	4	16	187	14	33.65	33.27	28.58	145	33.02	28.6	143	1 - 11 1/2 NPT	20	131	130
32	1 1/4	32	117	89	4	16	190	16	42.42	42.04	31.75	164	41.91	31.8	160	1 1/4 - 11 1/2 NPT	22	150	146
40	1 1/2	40	127	98.5	4	16	212	16	48.56	48.11	34.93	184	48.01	34.9	179	1 1/2 - 11 1/2 NPT	25	163	160
50	2	51	152	120.5	4	19	234	16	60.63	60.17	38.10	209	59.94	38.1	204	2 - 11 1/2 NPT	28	197	194

MODEL CLASSIFICATION TABLE

TYPE	MATERIAL
21ALPHA	PVC C-PVC
21	PP PVDF

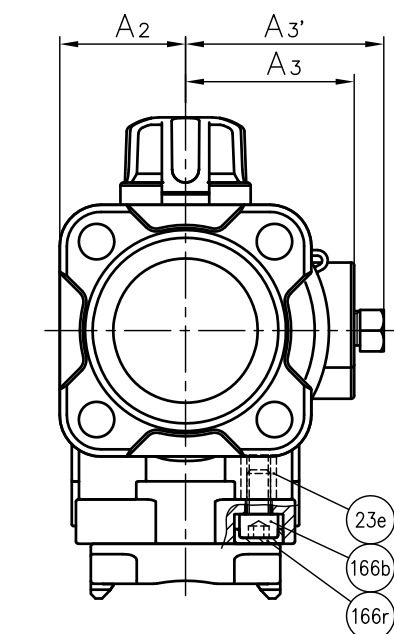
Unit: mm

Nominal Size	D ₁	H	H ₁	A	A ₂	A ₃	A ₃ '	S ₁	S ₂	S ₃	P	ACTUATOR TYPE		
												Air to open	Air to shut	
15mm	1/2"	48	131	29	154	28	38	46	19	7.3	11	1/8	AR040NC20SN	AR040NO20SN
20	3/4	60	137.5	35	154	28	38	46	19	7.3	11	1/8	AR040NC20SN	AR040NO20SN
25	1	70	144.5	39	154	28	38	46	19	7.3	11	1/8	AR040NC20SN	AR040NO20SN
32	1 1/4	82	178	47	194	35	49	59	30	9	15	1/4	AR050NC30SN	AR050NO30SN
40	1 1/2	100	208.5	55	254	42.5	57	67	30	9	15	1/4	AR063NC40SN	AR063NO40SN
50	2	126	220	66	254	42.5	57	67	30	9	15	1/4	AR063NC40SN	AR063NO40SN

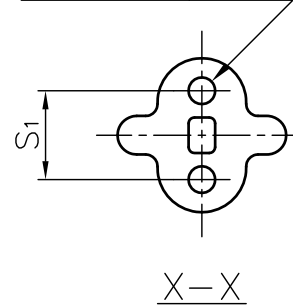
NOTE.

- Operation of permission pressure : 0.4~0.7MPa G
 Air to open; Valve open : Supply
 Valve shut : Exhaust
 Air to shut; Valve open : Exhaust
 Valve shut : Supply
- The shape and appearance of assembly differ a little with nominal size compared to this drawing.

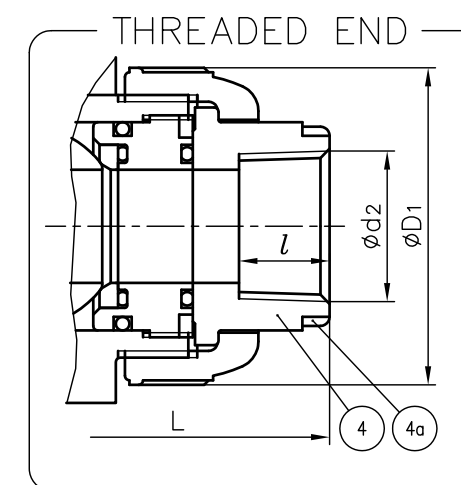
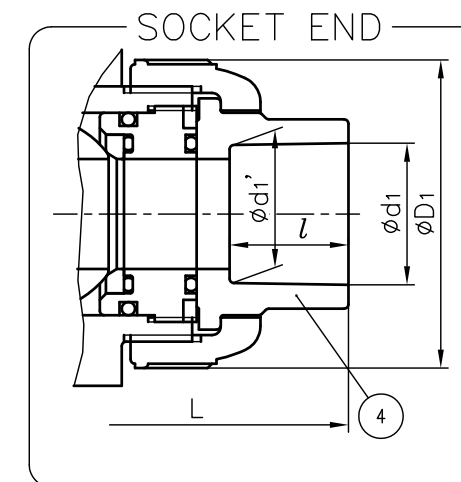
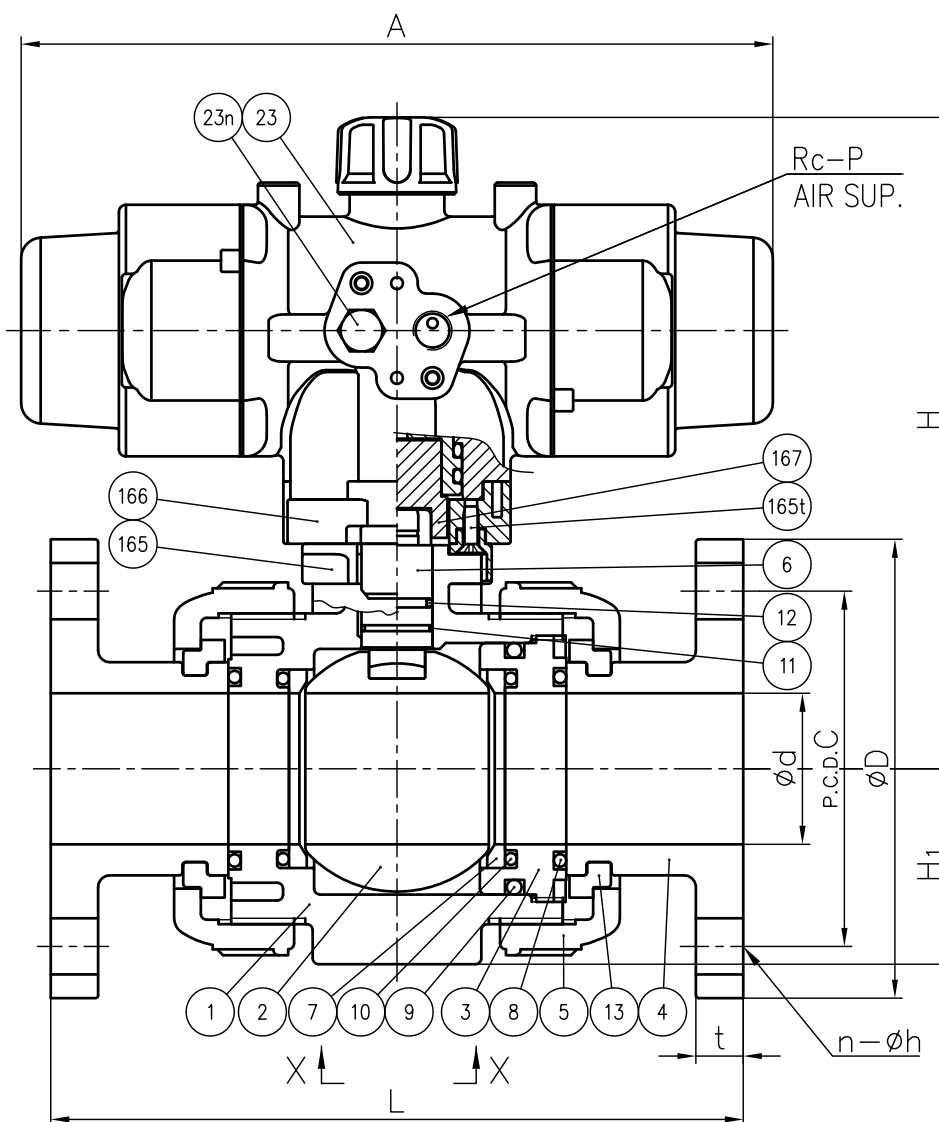
FLANGE END



2-φS₂ Depth S₃



(Detail of Holes for Metallic Insert)



No.	DESCRIPTION	QTY.	MATERIAL	REMARKS
4a	RING	2	STAINLESS STEEL (SUS304)	Used for C-PVC Body, Threaded End: 1/2"~1"
167	SHAFT ADAPTER	1	STAINLESS STEEL (SUS304)	
166r	CAP (No.166)	4	EPDM	
166b	BOLT (No.166)	4	STAINLESS STEEL (SUS304)	
166	CONNECTOR PLATE	1	PPG	
165t	TAPPING SCREW (No.165)	2	STAINLESS STEEL (SUS304)	
165	BASE PLATE	1	PPG	
23n	NIPPLE	1	PPG	
23e	ENSAT (No.23)	4	STAINLESS STEEL (SUS303)	
23	ACTUATOR	1	PPG etc.	
13	STOP RING	2	PVDF	Used for Flanged End
12	O-RING (E)	1		
11	O-RING (D)	1	□EPDM	
10	O-RING (C)	2	□FKM	
9	O-RING (B)	1	□Others	
8	O-RING (A)	2	()	
7	SEAT	2	PTFE	
6	STEM	1		
5	UNION NUT	2	□PVC	
4	END CONNECTOR	2	□C-PVC	
3	CARRIER	1	□PP	
2	BALL	1	□PVDF	
1	BODY	1		

ITEM BALL VALVE (TYPE21-21ALPHA) PNEUMATIC ACTUATED MODEL TYPE AR ASS'Y
 □ AIR TO OPEN, □ AIR TO SHUT
 ANSI: □ FLANGED END, □ SOCKET END, □ THREADED END
 15mm (1/2") ~ 50mm (2")

DRAWN	S.Shimazaki	DATE	SCALE
CHECKED	H.Kawano	APR.22.2020	~
APPROVED	K.Koushou	DRAWING No.	
SPECIAL ORDER No.		IB-AA260AEm	▲
ASAHI YUKIZAI CORPORATION			