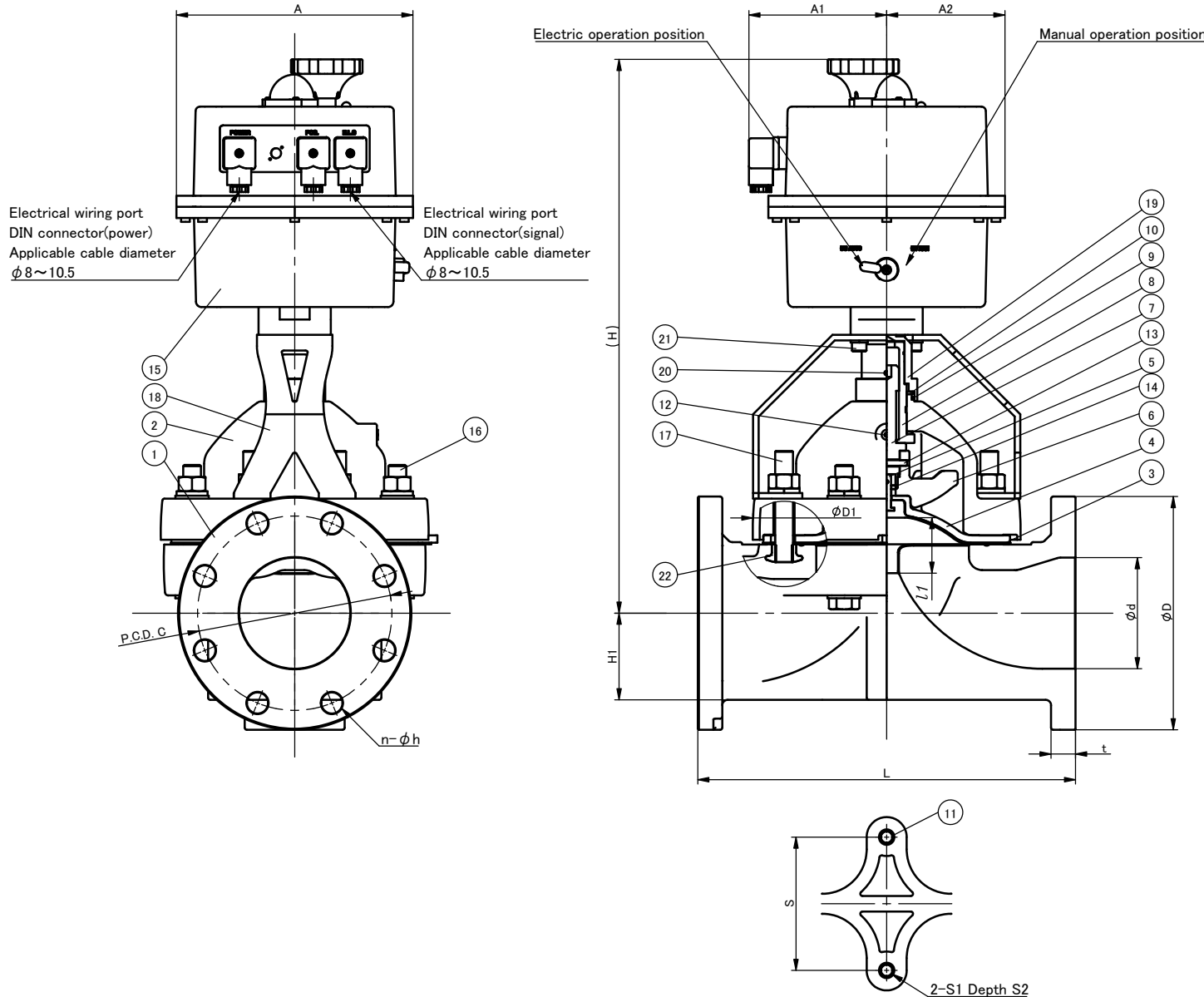


DIMENSIONS TABLE

UNIT : mm

NOMINAL SIZE		JIS 10K					D1	L	t		L1 (LIFT)	H	H1	A	A1	A2	S	S1	S2	ACTUATOR TYPE
		d	D	C	n	h			PVC C-PVC	PP PVDF										
65mm	2 1/2"	67	175	140	4	19	175	250	22	23	34	454	61	214	128	107	85	M8	15	J4M-S40
80	3	78	185	150	8	19	201	280	22	23	42	469	63	214	128	107	100	M12	22	J4M-S40
100	4	100	210	175	8	19	241	340	22	24	50	506	78	214	128	107	120	M12	22	J4M-S40



NOTE.

The shape and appearance of assembly differ a little with nominal size compared to this drawing.

No.	DESCRIPTION	QTY.	MATERIAL	REMARKS
22	INSERTED NUT	4	C3604(COPPER ALLOY) SUS304(STAINLESS STEEL)	Used for PVC, C-PVC, PP Body Used for PVDF Body
21	BOLT	4	SUS304(STAINLESS STEEL)	
20	SCREW	2	SUS304(STAINLESS STEEL)	
19	JOINT	1	SUS304(STAINLESS STEEL)	
18	STAND	1	SUS304(STAINLESS STEEL)	
17	STUD BOLT-NUT	4	SUS304(STAINLESS STEEL)	
16	BOLT-NUT	4	SUS304(STAINLESS STEEL)	
15	ACTUATOR	1	POLYAMIDE6 etc.	
14	METAL OF COMPRESSOR	1	SUS304(STAINLESS STEEL)	
13	COMPRESSOR PIN	1	SUS304(STAINLESS STEEL)	
12	GREASE NIPPLE	1	C3604(COPPER ALLOY)	
11	ENSAT	2	SUS303(STAINLESS STEEL)	
10	THRUST RING	2	UHMW-PE	
9	O-RING	1	EPDM	
8	SLEEVE	1	C3604(COPPER ALLOY)	
7	STEM	1	C3604(COPPER ALLOY)	
6	COMPRESSOR	1	PVDF	
5	INSERTED METAL OF DIAPHRAGM	1	SUS304(STAINLESS STEEL)	
4	CUSHION	1	EPDM	Used for PTFE DIAPHRAGM
3	DIAPHRAGM	1	<input type="checkbox"/> EPDM <input type="checkbox"/> PTFE <input type="checkbox"/> Others ()	
2	BONNET	1	PPG	
1	BODY	1	<input type="checkbox"/> PVC <input type="checkbox"/> C-PVC <input type="checkbox"/> PP <input type="checkbox"/> PVDF	

ITEM	DIAPHRAGM VALVE TYPE 14 ELECTRIC MODEL TYPE J Ass'y Free power supply : AC24~240V JIS 10K : FLANGED END 65mm (2 1/2") ~100mm (4") OPTION: _____		
DRAWN	A. Yamamizu	DATE	SCALE
CHECKED	Y. Sato	Jan. 17, 2024	
APPROVED	K. Koushou	DRAWING No. D1-AE012JE	
SPECIAL ORDER No.	SAHAI YUKIZAI CORPORATION		