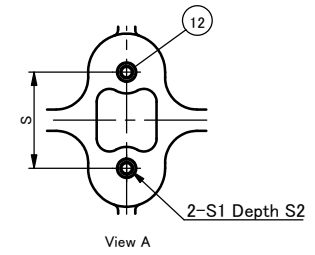


DIMENSIONS TABLE

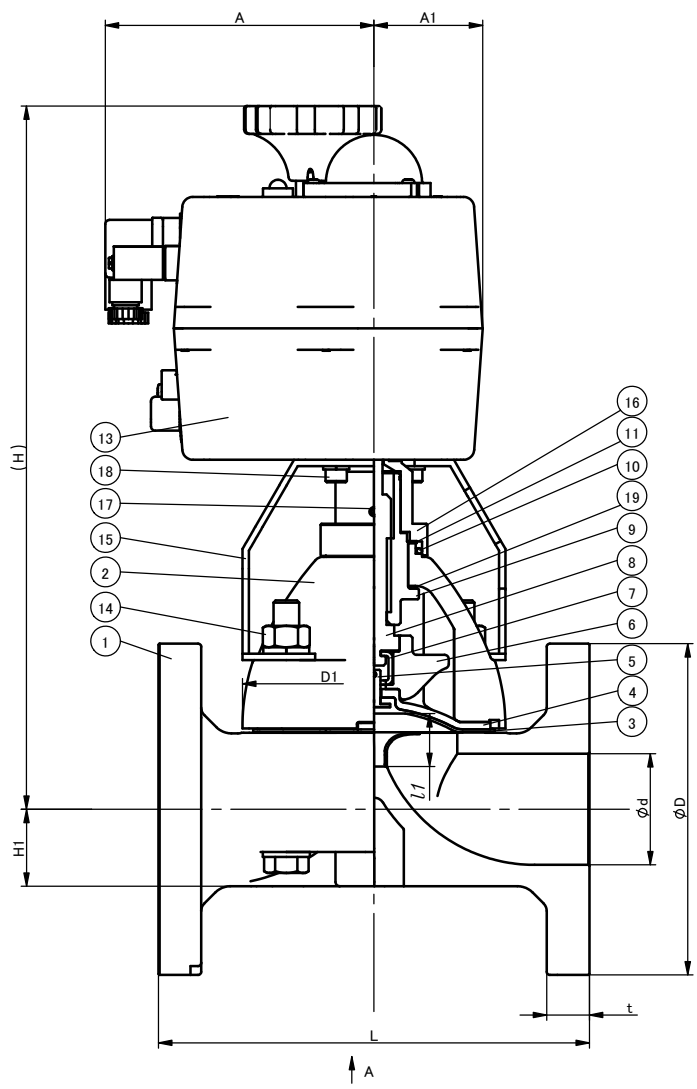
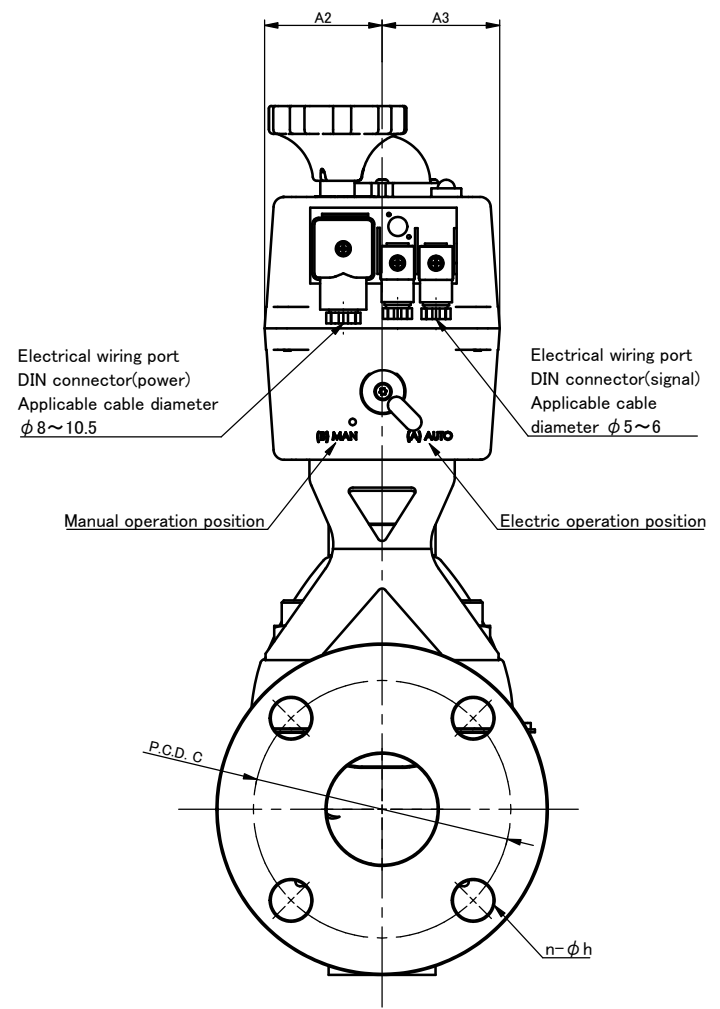
UNIT: inch

NOMINAL SIZE	d	ANSI Class 150					D1	L	t	l1 (LIFT)	H	H1	A	A1	A2	A3	S	S1	S2	ACTUATOR TYPE	
		D	C	n	h																
1/2"	15mm	0.63	3.50	2.38	4	0.62	2.13 × 2.60	4.33	0.43	0.39	10.46	0.77	5.12	2.01	2.17	2.17	0.98	M5	0.39	J4M-S6	
3/4	20	0.79	3.88	2.75	4	0.62	2.13 × 2.60	4.72	0.51	0.39	10.54	0.69	5.12	2.01	2.17	2.17	0.98	M5	0.39	J4M-S6	
1	25	0.98	4.25	3.12	4	0.62	2.64 × 3.15	5.12	0.59	0.47	10.83	0.73	5.12	2.01	2.17	2.17	0.98	M5	0.39	J4M-S6	
1 1/4	32	-	-	-	-	-	-	-	-	-	-	-	-	-	-	-	-	-	-	-	-
1 1/2	40	1.57	5.00	3.88	4	0.62	4.25 × 4.25	7.09	0.63	0.83	12.54	1.08	5.12	2.01	2.17	2.17	1.77	M6	0.55	J4M-S10	
2	50	2.05	6.00	4.75	4	0.75	4.84 × 4.84	8.27	0.79	0.98	13.10	1.42	5.12	2.01	2.17	2.17	1.77	M6	0.55	J4M-S10	



NOTE.

The shape and appearance of assembly differ a little with nominal size compared to this drawing.



No.	DESCRIPTION	QTY.	MATERIAL	REMARKS
19	THRUST RING	1	SUS304(STAINLESS STEEL)	
18	BOLT	4	SUS304(STAINLESS STEEL)	
17	SCREW	2	SUS304(STAINLESS STEEL)	
16	JOINT	1	SUS304(STAINLESS STEEL)	
15	STAND	1	SUS304(STAINLESS STEEL)	
14	BOLT·NUT	4	SUS304(STAINLESS STEEL)	
13	ACTUATOR	1	POLYAMIDE6 etc.	
12	ENSAT	2	SUS303(STAINLESS STEEL)	
11	THRUST RING	1	UHMW-PE	
10	O-RING	1	EPDM	
9	SLEEVE	1	C3604(COPPER ALLOY)	
8	STEM	1	C3604(COPPER ALLOY)	
7	JOINT	1	SUS304(STAINLESS STEEL)	
6	COMPRESSOR	1	PVDF	
5	INSERTED METAL OF DIAPHRAGM	1	SUS304(STAINLESS STEEL)	
4	CUSHION	1	EPDM	Used for PTFE DIAPHRAGM
3	DIAPHRAGM	1	<input type="checkbox"/> EPDM <input type="checkbox"/> PTFE <input type="checkbox"/> Others ( )	
2	BONNET	1	PPG	
1	BODY	1	<input type="checkbox"/> PVC <input type="checkbox"/> C-PVC <input type="checkbox"/> PP <input type="checkbox"/> PVDF	

ITEM	DIAPHRAGM VALVE TYPE 14 ELECTRIC MODEL TYPE J Ass'y Free power supply : AC24-240V		
	ANSI Class 150 : FLANGED END (AV STANDARD) 1/2" (15mm) ~ 2" (50mm)		
	OPTION: _____		
DRAWN	N. Ito	DATE	SCALE
CHECKED	Y. Sato	Jan. 17, 2024	
APPROVED	K. Koushou	DRAWING No. D1-AE011AE	
SPECIAL ORDER No.			

**ASAHI YUKIZAI CORPORATION**