

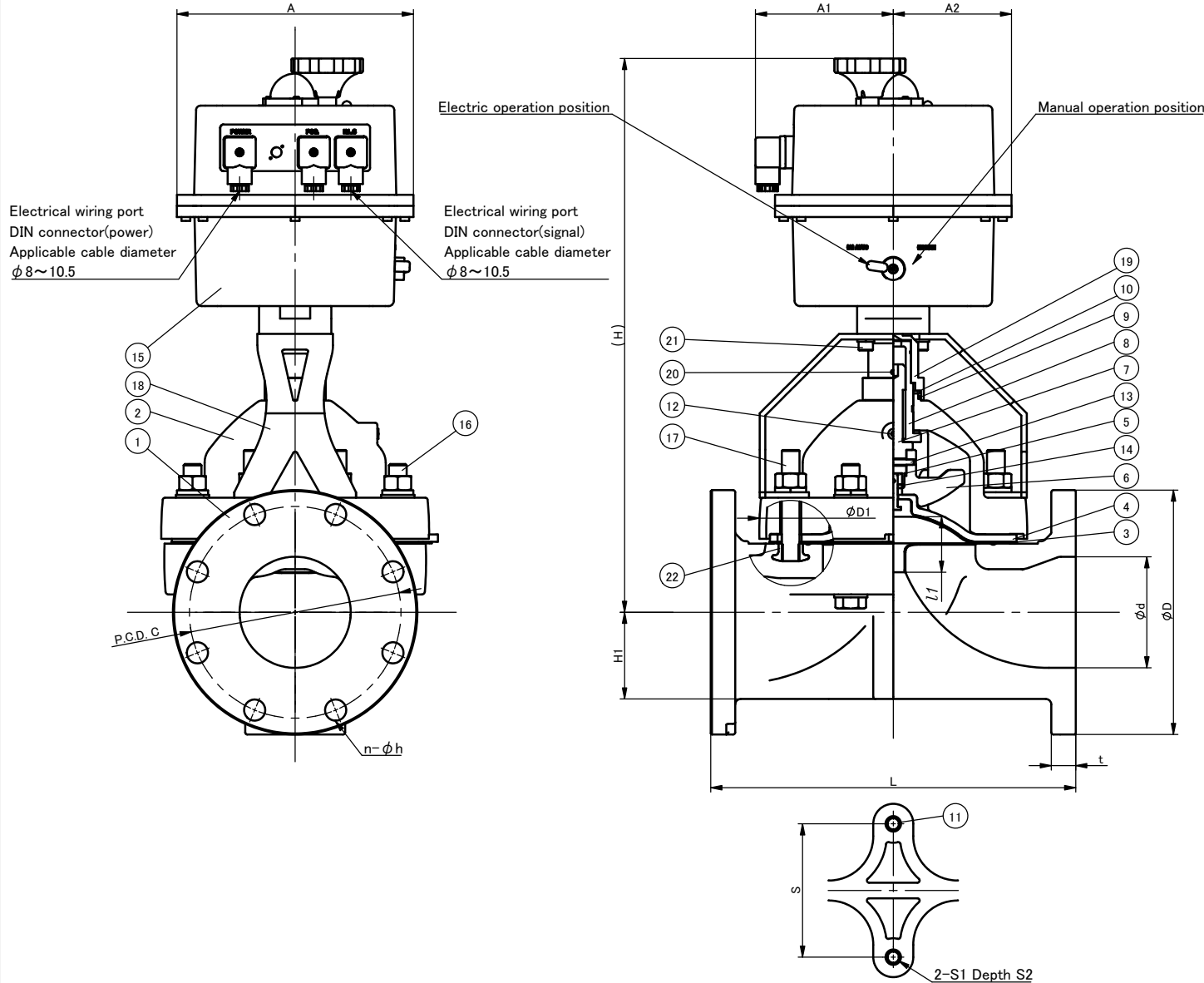
DIMENSIONS TABLE

UNIT: inch

NOMINAL SIZE	d	ANSI Class 150					D1	L	t		L1 (LIFT)	H	H1	A	A1	A2	S	S1	S2	ACTUATOR TYPE
		D	C	n	h	PVC C-PVC			PP PVDF											
2 1/2"	65mm	2.64	7.00	5.50	4	0.75	6.89	9.84	0.87	0.91	1.34	17.87	2.40	8.43	5.04	4.21	3.35	M8	0.59	J4M-S40
3	80	3.07	7.50	6.00	4	0.75	7.91	11.02	0.87	0.91	1.65	18.46	2.48	8.43	5.04	4.21	3.94	M12	0.87	J4M-S40
4	100	3.94	9.00	7.50	8	0.75	9.49	13.39	0.87	0.94	1.97	19.92	3.07	8.43	5.04	4.21	4.72	M12	0.87	J4M-S40

NOTE.

The shape and appearance of assembly differ a little with nominal size compared to this drawing.



No.	DESCRIPTION	QTY.	MATERIAL	REMARKS
22	INSERTED NUT	4	C3604(COPPER ALLOY) SUS304(STAINLESS STEEL)	Used for PVC, C-PVC, PP Body Used for PVDF Body
21	BOLT	4	SUS304(STAINLESS STEEL)	
20	SCREW	2	SUS304(STAINLESS STEEL)	
19	JOINT	1	SUS304(STAINLESS STEEL)	
18	STAND	1	SUS304(STAINLESS STEEL)	
17	STUD BOLT·NUT	4	SUS304(STAINLESS STEEL)	
16	BOLT·NUT	4	SUS304(STAINLESS STEEL)	
15	ACTUATOR	1	POLYAMIDE6 etc.	
14	METAL OF COMPRESSOR	1	SUS304(STAINLESS STEEL)	
13	COMPRESSOR PIN	1	SUS304(STAINLESS STEEL)	
12	GREASE NIPPLE	1	C3604(COPPER ALLOY)	
11	ENSAT	2	SUS303(STAINLESS STEEL)	
10	THRUST RING	2	UHMW-PE	
9	O-RING	1	EPDM	
8	SLEEVE	1	C3604(COPPER ALLOY)	
7	STEM	1	C3604(COPPER ALLOY)	
6	COMPRESSOR	1	PVDF	
5	INSERTED METAL OF DIAPHRAGM	1	SUS304(STAINLESS STEEL)	
4	CUSHION	1	EPDM	Used for PTFE DIAPHRAGM
3	DIAPHRAGM	1	<input type="checkbox"/> EPDM <input type="checkbox"/> PTFE <input type="checkbox"/> Others ()	
2	BONNET	1	PPG	
1	BODY	1	<input type="checkbox"/> PVC <input type="checkbox"/> C-PVC <input type="checkbox"/> PP <input type="checkbox"/> PVDF	

ITEM	DIAPHRAGM VALVE TYPE 14 ELECTRIC MODEL TYPE J Ass'y Free power supply : AC24-240V		
	ANSI Class 150 : FLANGED END (AV STANDARD) 2 1/2" (65mm) ~ 4" (100mm)		
DRAWN	N. Ito	DATE	SCALE
CHECKED	Y. Sato	Jan. 17, 2024	~
APPROVED	K. Koushou	DRAWING No. D1-AE012AE	
SPECIAL ORDER No.	ASAHYUKIZAI CORPORATION		