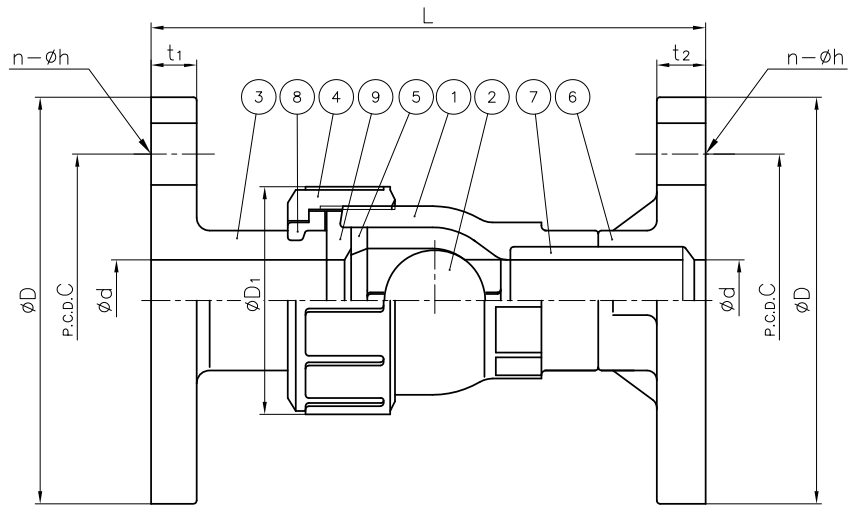
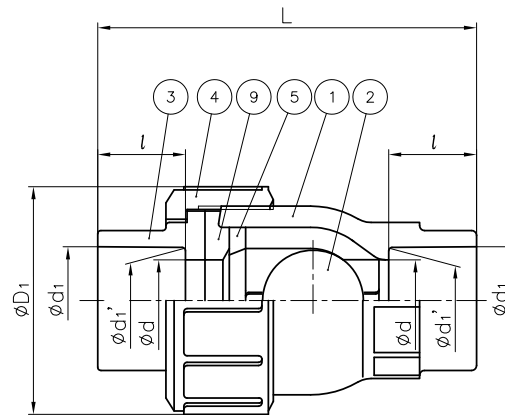


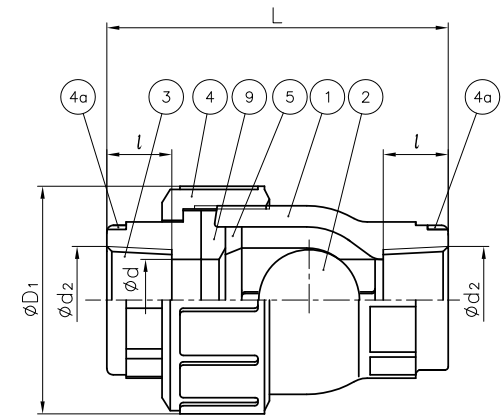
FLANGED END



SOCKET END



THREADED END



DIMENSIONS TABLE

UNIT : inch

NOMINAL SIZE	d	D ₁	FLANGED END								SOCKET END (IPS)								THREADED END			
			ANSI Class150				L	t ₁	t ₂	PVC, C-PVC				PVDF, PP				d ₂	l	PVC C-PVC	PP PVDF	
			D	C	n	h				d ₁	d ₁ '	l	L	d ₁	d ₁ '	l	L					
			ASTM SCH40																			
1/2"	15mm	0.59	1.89	3.50	2.38	4	0.62	5.16	0.47	0.55	0.848	0.836	0.688	3.35	0.825	-	0.630	3.82	1/2 - 14 NPT	0.59	3.15	3.07
3/4"	20	0.79	2.36	3.88	2.75	4	0.62	6.14	0.55	0.59	1.058	1.046	0.719	3.74	1.030	-	1.000	4.41	3/4 - 14 NPT	0.67	3.74	3.62
1"	25	0.98	2.76	4.25	3.12	4	0.62	6.65	0.55	0.59	1.325	1.310	0.875	4.33	1.300	-	0.827	4.88	1 - 1 1/2 NPT	0.79	4.13	4.02
1 1/2"	40	1.57	3.78	5.00	3.88	4	0.62	8.43	0.63	0.63	1.912	1.894	1.094	5.71	1.890	-	1.260	5.79	1 1/2 - 1 1/2 NPT	0.98	5.55	5.39
2"	50	2.01	4.17	6.00	4.75	4	0.75	9.61	0.63	0.79	2.387	2.369	1.156	6.50	2.364	-	1.260	6.69	2 - 1 1/2 NPT	1.10	6.46	6.30
3"	80	3.07	5.98	7.50	6.00	4	0.75	12.20	0.71	0.87	3.516	3.492	1.875	9.57	3.480	-	1.874	9.57	3 - 8 NPT	1.38	8.74	8.50
4"	100	3.94	8.27	9.00	7.50	8	0.75	15.63	0.71	0.87	4.518	4.491	2.000	12.20	4.480	-	2.252	12.68	4 - 8 NPT	1.77	12.13	11.85

Note. The shape and appearance of assembly differ a little with nominal size compared to this drawing.

4a	RING ¹⁾	2	STAINLESS STEEL (SUS304)	¹⁾ C-PVC Body, Threaded End :Used for 1/2"~1" ²⁾ Used for Flanged End
9	SEAT	1	<input type="checkbox"/> EPDM <input type="checkbox"/> FKM <input type="checkbox"/> Other ()	
8	STOP RING (B) ²⁾	1	PVDF	
7	PIPE ²⁾	1	FLANGED END <input type="checkbox"/> PVC <input type="checkbox"/> C-PVC	
6	TS FLANGE ²⁾	1	SOCKET END <input type="checkbox"/> PVC <input type="checkbox"/> C-PVC <input type="checkbox"/> PP <input type="checkbox"/> PVDF	
5	STOP RING (A)	1	THREADED END <input type="checkbox"/> PVC <input type="checkbox"/> C-PVC <input type="checkbox"/> PP <input type="checkbox"/> PVDF	
4	UNION NUT	1		
3	END CONNECTOR	1		
2	BALL	1		
1	BODY	1		
No.	DESCRIPTION	QTY.	MATERIAL	REMARKS

ITEM	BALL CHECK VALVE ASS'Y ANSI : □FLANGED END, □SOCKET END, □THREADED END 1/2" (15mm) ~ 4" (100mm)		
DRAWN	M.Iwakiri	DATE	SCALE
CHECKED	H.Kawano	MAR.2.2022	~
APPROVED	K.Kouhou	DRAWING No. BC-60001AE	
SPECIAL ORDER No.	ASAHI YUKIZAI CORPORATION		