

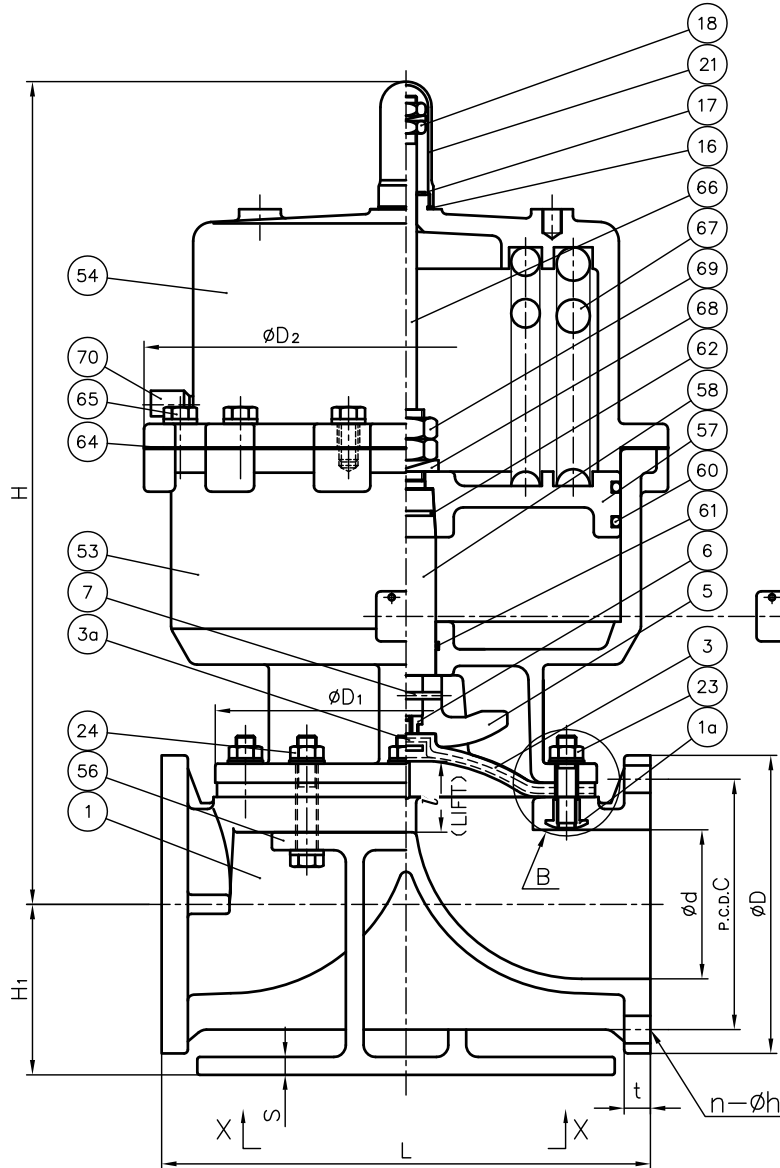
DIMENSIONS TABLE

UNIT : mm

| NOMINAL SIZE | ANSI Class 150 | | | | | L | t | | D ₁ | D ₂ | l | H | H ₁ | S | S ₁ | S ₂ | S ₃ | S ₄ | S ₅ | P |
|--------------|----------------|-----|-------|---|----|-----|-----|---------|----------------|----------------|----|-----|----------------|----|----------------|----------------|----------------|----------------|----------------|---|
| | d | D | C | n | h | | PVC | PP PVDF | | | | | | | | | | | | |
| 125mm 5" | 125 | 254 | 216 | 8 | 22 | 410 | 22 | 24 | 320 | 455 | 60 | 690 | 143 | 15 | 310 | 350 | 280 | 320 | 23 | ¼ |
| 150 6 | 148 | 279 | 241.5 | 8 | 22 | 480 | 24 | 27 | 385 | 520 | 70 | 790 | 148 | 16 | 360 | 400 | 310 | 350 | 23 | ¼ |

NOTE.

- Operation of permission pressure: 0.4~0.6MPa G
- ③ Diaphragms except EPDM and PTFE are available in FKM, VIFLON-C (FKM-C), VIFLON-F (FKM-F), CSM and NBR when required.
- The shape and appearance of assembly differ a little with nominal size compared to this drawing.

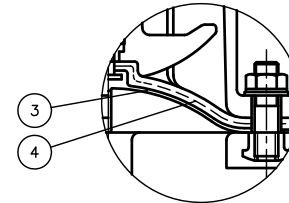


In case of PVDF body

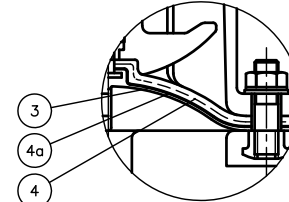


"B" Part

Rc-P
AIR SUP.

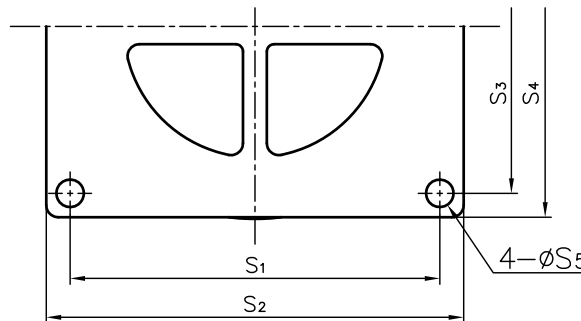


PTFE diaphragm.



PTFE diaphragm with cushion cover.

X-X



| | | | | |
|----|---------------------------------|--------|---|-------------------------|
| 1a | INSERTED NUT | 4 | COPPER ALLOY (C3604) | Used for PVC & PP Body |
| | | | STAINLESS STEEL (SUS304) | Used for PVDF Body |
| 70 | CHECK VALVE FOR EXHAUST | 1 | COPPER ALLOY (C3604) | |
| 69 | LOCK NUT (B) | 2 | STAINLESS STEEL (SS400) | |
| 68 | SPRING WASHER | 1 | SPRING STEEL (SUP) | |
| 67 | SPRING | 1 | SPRING STEEL (SUP) | |
| 66 | INDICATOR ROD | 1 | STAINLESS STEEL (SUS304) | |
| 65 | BOLT (A) | - | STAINLESS STEEL (SUS304) | |
| 64 | SHEET GASKET (C) | 1 | NBR | |
| 62 | O-RING (F) | 1 | NBR | |
| 61 | O-RING (E) | 1 | NBR | |
| 60 | O-RING (D) | 2 | NBR | |
| 58 | STEM (A) | 1 | COPPER ALLOY (C3604) | |
| 57 | PISTON | 1 | CAST ALUMINUM ALLOY (AC5A) | |
| 56 | STAND (A) | 1 | CAST ALUMINUM ALLOY (AC6C) | epoxy coat. |
| 54 | CYLINDER BONNET | 1 | CAST ALUMINUM ALLOY (AC6C) | epoxy coat. |
| 53 | CYLINDER BODY | 1 | CAST ALUMINUM ALLOY (AC6C) | epoxy coat. |
| 29 | CONICAL SPRING WASHER | - | STAINLESS STEEL (SUS304) | Used for PVDF Body |
| 24 | BOLT · NUT (A) | - | STAINLESS STEEL (SUS304) | |
| 23 | STUD BOLT · NUT | 4 Sets | STAINLESS STEEL (SUS304) | |
| 21 | GAUGE COVER | 1 | PC | |
| 18 | STOPPER | 1 | STAINLESS STEEL (SUS304) | |
| 17 | SHEET RING | 1 | STAINLESS STEEL (SUS304) | |
| 16 | SHEET GASKET (A) | 1 | EPDM | |
| 7 | COMPRESSOR PIN | 1 | STAINLESS STEEL (SUS304) | |
| 6 | COMPRESSOR NUT | 1 | COPPER ALLOY (C3604) | |
| 5 | COMPRESSOR | 1 | PVDF | |
| 4a | CUSHION COVER | 1 | <input type="checkbox"/> Nothing <input type="checkbox"/> PVDF | Used for PTFE Diaphragm |
| 4 | CUSHION | 1 | <input type="checkbox"/> EPDM <input type="checkbox"/> Others () | Used for PTFE Diaphragm |
| 3a | INSERTED METAL OF DIAPHRAGM (A) | 1 | STAINLESS STEEL (SUS304) | |
| 3 | DIAPHRAGM | 1 | <input type="checkbox"/> EPDM <input type="checkbox"/> PTFE <input type="checkbox"/> Others () | |
| 1 | BODY | 1 | <input type="checkbox"/> PVC <input type="checkbox"/> PP <input type="checkbox"/> PVDF | |

| No. | DESCRIPTION | QTY. | MATERIAL | REMARKS |
|---------------------------|--|--------------|----------|---------|
| ITEM | DIAPHRAGM VALVE (TYPE 15) PNEUMATIC ACTUATED MODEL TYPE AV ASSY AIR TO OPEN ANSI Class 150 : FLANGED END 125mm (5"), 150mm (6") | | | |
| DRAWN | E.Emmei | DATE | SCALE | |
| CHECKED | H.Kawano | MAY.23.2019 | | |
| APPROVED | K.Koushou | DRAWING No. | | |
| | | D5-AA003AE m | | |
| SPECIAL ORDER No. | | | | |
| ASAHI YUKIZAI CORPORATION | | | | |