

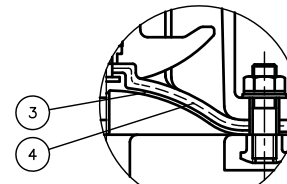
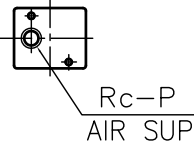
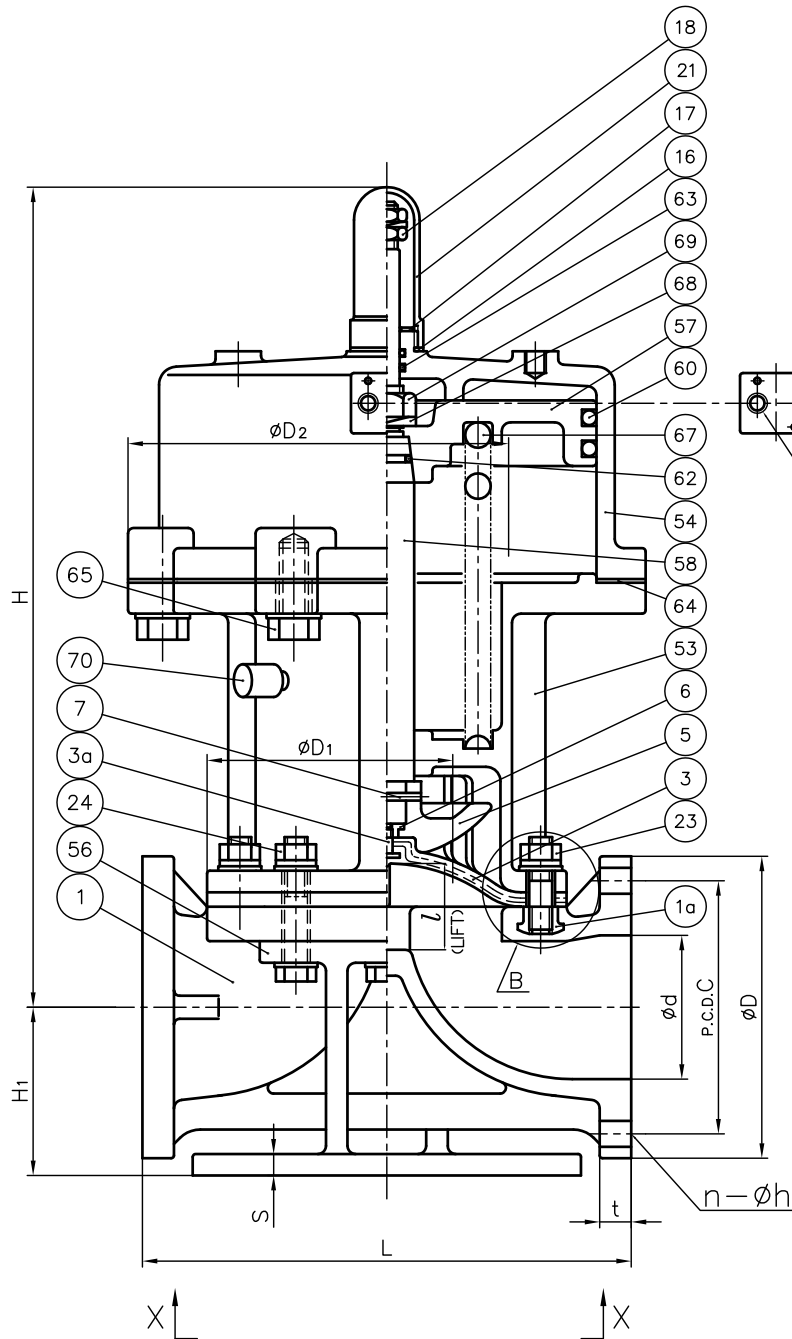
DIMENSIONS TABLE

UNIT : mm

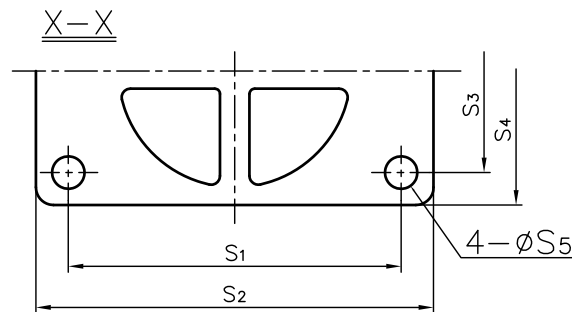
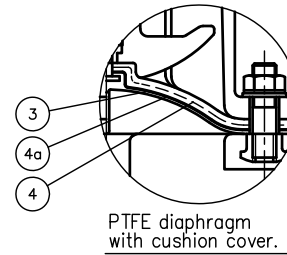
NOMINAL SIZE	d	DIN PN10					L	t		D ₁	D ₂	l	H	H ₁	S	S ₁	S ₂	S ₃	S ₄	S ₅	P
		D	C	n	h	PVC		PP PVDF													
125mm 5"	125	250	210	8	18	400	22	23	320	455	60	653	143	15	310	350	280	320	23	¼	
150	6	148	285	240	8	22	480	24	27	385	520	70	722	148	16	360	400	310	350	23	¼

NOTE.

1. Operation of permission pressure: 0.4~0.6MPa G
2. ③ Diaphragms except EPDM and PTFE are available in FKM, VIFLON-C (FKM-C), VIFLON-F (FKM-F), CSM and NBR when required.
3. The shape and appearance of assembly differ a little with nominal size compared to this drawing.



In case of PVDF body



1a	INSERTED NUT	4	COPPER ALLOY (C3604) STAINLESS STEEL (SUS304)	Used for PVC & PP Body Used for PVDF Body
70	CHECK VALVE FOR EXHAUST	1	COPPER ALLOY (C3604)	
69	LOCK NUT (B)	2	STAINLESS STEEL (SS400)	
68	SPRING WASHER	1	SPRING STEEL (SUP)	
67	SPRING	1	SPRING STEEL (SUP)	
65	BOLT (A)	-	STAINLESS STEEL (SUS304)	
64	SHEET GASKET (C)	1	NBR	
63	O-RING (G)	2	NBR	
62	O-RING (F)	1	NBR	
60	O-RING (D)	2	NBR	
58	STEM (A)	1	STAINLESS STEEL (SUS304)	
57	PISTON	1	CAST ALUMINUM ALLOY (AC6A)	
56	STAND (A)	1	CAST ALUMINUM ALLOY (AC6C)	epoxy coat.
54	CYLINDER BONNET	1	CAST ALUMINUM ALLOY (AC6C)	epoxy coat.
53	CYLINDER BODY	1	CAST ALUMINUM ALLOY (AC6C)	epoxy coat.
29	CONICAL SPRING WASHER	-	STAINLESS STEEL (SUS304)	Used for PVDF Body
24	BOLT · NUT (A)	-	STAINLESS STEEL (SUS304)	
23	STUD BOLT · NUT	4 Sets	STAINLESS STEEL (SUS304)	
21	GAUGE COVER	1	PC	
18	STOPPER	1	STAINLESS STEEL (SUS304)	
17	SHEET RING	1	STAINLESS STEEL (SUS304)	
16	SHEET GASKET (A)	1	EPDM	
7	COMPRESSOR PIN	1	STAINLESS STEEL (SUS304)	
6	COMPRESSOR NUT	1	COPPER ALLOY (C3604)	
5	COMPRESSOR	1	PVDF	
4a	CUSHION COVER	1	□Nothing □PVDF	Used for PTFE Diaphragm
4	CUSHION	1	□EPDM □Others ()	Used for PTFE Diaphragm
3a	INSERTED METAL OF DIAPHRAGM (A)	1	STAINLESS STEEL (SUS304)	
3	DIAPHRAGM	1	□EPDM □PTFE □Others ()	
1	BODY	1	□PVC □PP □PVDF	
No.	DESCRIPTION	QTY.	MATERIAL	REMARKS

ITEM	DIAPHRAGM VALVE (TYPE 15) PNEUMATIC ACTUATED MODEL TYPE AV ASS'Y AIR TO SHUT DIN PN10 : FLANGED END 125mm (5"), 150mm (6")		
DRAWN	E.Emmei	DATE	SCALE
CHECKED	H.Kawano	MAY.23.2019	~
APPROVED	K.Koushou	DRAWING No. D5-AA004DE	
SPECIAL ORDER No.	ASAHI YUKIZAI CORPORATION		