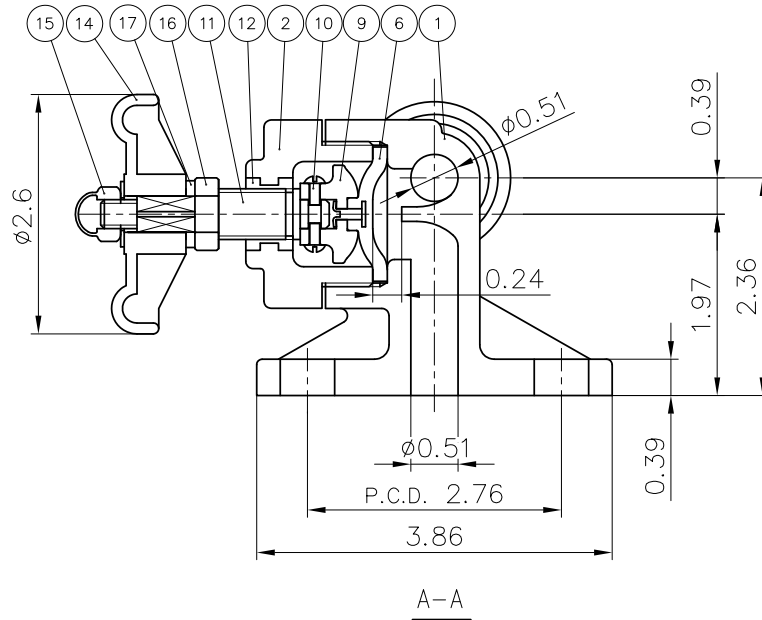


In case of
used for PTFE DIAPHRAGM



No.	DESCRIPTION	QTY.	MATERIAL	REMARKS
17	SPRING WASHER	1	STAINLESS (SUS304)	
16	STOPPER	1	COPPER ALLOY (C3604)	
15	NUT	1	STAINLESS (SUS304)	
14	HAND WHEEL	1	PP	
12	INDICATION OF MATERIAL	1	COPPER ALLOY (C3604)	
11	STEM	1	COPPER ALLOY (C3604)	
10	COMPRESSOR PIN	2	STAINLESS (SUS304)	
9	COMPRESSOR	1	PVDF	
8	O-RING (B)	1	<input type="checkbox"/> EPDM	Material of (No.6) is FKM in case of used for (No.6a).
7	O-RING (A)	2	<input type="checkbox"/> FKM <input type="checkbox"/> PTFE ¹⁾	
6	DIAPHRAGM	1	<input type="checkbox"/> Others ()	
6a	PTFE DIAPHRAGM	1	PTFE	¹⁾ Used in case of PTFE choice.
5	DRAIN PLUG	1		
4	GLAND	1		
3	GLAND NUT	1	<input type="checkbox"/> PVC <input type="checkbox"/> PP	
2	BONNET	1		
1	BODY	1		

ITEM		GAUGE VALVE ASS'Y ANSI Class 150 : 3/4" (20mm)		
DRAWN	S.Shimazaki	DATE	SCALE	
CHECKED	H.Kawano	APR.24.2020		
APPROVED	K.Koushou	DRAWING No.		
SPECIAL ORDER No.		GE-60001AE		4
ASAHI YUKIZAI CORPORATION				