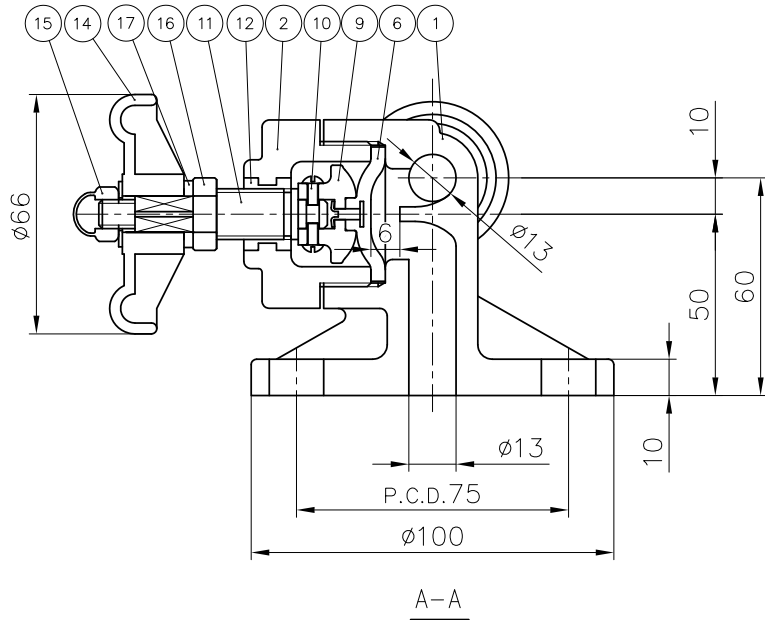


In case of  
used for PTFE DIAPHRAGM



17	SPRING WASHER	1	STAINLESS (SUS304)	
16	STOPPER	1	COPPER ALLOY (C3604)	
15	NUT	1	STAINLESS (SUS304)	
14	HAND WHEEL	1	PP	
12	INDICATION OF MATERIAL	1	COPPER ALLOY (C3604)	
11	STEM	1	COPPER ALLOY (C3604)	
10	COMPRESSOR PIN	2	STAINLESS (SUS304)	
9	COMPRESSOR	1	PVDF	
8	O-RING (B)	1	□EPDM	Material of (No.6) is FKM in case of used for (No.6a).
7	O-RING (A)	2	□FKM □PTFE <sup>1)</sup>	
6	DIAPHRAGM	1	□Others ( )	
6a	PTFE DIAPHRAGM	1	PTFE	<sup>1)</sup> Used in case of PTFE choice.
5	DRAIN PLUG	1		
4	GLAND	1		
3	GLAND NUT	1	□PVC □PP	
2	BONNET	1		
1	BODY	1		
No.	DESCRIPTION	QTY.	MATERIAL	REMARKS

ITEM		GAUGE VALVE ASS'Y JIS 10K : 20 <sup>mm</sup> (3/4")		
DRAWN	S.Shimazaki	DATE	SCALE	
CHECKED	H.Kawano	APR.24.2020		
APPROVED	K.Koushou	DRAWING No.		
SPECIAL ORDER No.		GE-60001JE		4
ASAHI YUKIZAI CORPORATION				