

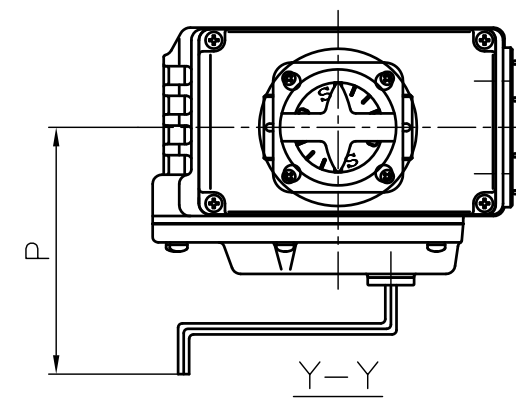
DIMENSIONS TABLE

NOMINAL SIZE	d	d'	FLANGED END									SOCKET END (IPS)								THREADED END								
			ANSI Class 150				L					ASTM SCH40		ASTM SCH80		PP,PVDF				d2	l	L						
			D	C	n	h	U-PVC C-PVC	PP	PVDF	t	d1	d1'	l	L	d1	d1'	l	L	d1			l	L (PP)	L (PVDF)	U-PVC C-PVC	PP	PVDF	
2½"	65mm	2.56	2.28	7.00	5.50	4	0.75	10.20	10.12	10.08	0.71	-	-	-	-	2.889	2.868	1.750	9.45	2.880	1.752	9.37	9.33	½-8 NPT	1.26	8.46	8.39	8.35
3	80	3.07	2.70	7.50	6.00	4	0.75	12.05	12.05	11.89	0.71	-	-	-	-	3.516	3.492	1.875	11.14	3.480	1.874	11.10	10.98	3-8 NPT	1.38	10.43	10.39	10.28
4	100	3.94	3.54	9.00	7.50	8	0.75	14.72	14.72	14.53	0.71	4.518	4.491	2.000	13.86	-	-	-	-	4.480	2.252	14.37	14.13	4-8 NPT	1.77	14.25	14.25	14.06

UNIT: inch

NOMINAL SIZE	D1	H	H1	A	A2	A3	S	S1	S2	S3	S4	S5	P	ACTUATOR MODEL	
2½"	65mm	5.24	11.02	2.83	7.95	2.12	3.35	4.25	1.89	0.35	0.24	1.26	0.28	5.04	T-0
3	80	5.98	11.38	3.35	7.95	2.12	3.35	4.59	2.17	0.43	0.28	1.26	0.28	5.04	
4	100	8.27	12.87	4.33	7.95	2.12	3.35	5.96	2.56	0.43	0.31	1.65	0.35	5.04	

Manual operation



Spec.	
<input type="checkbox"/>	Standard
<input type="checkbox"/>	With Potentiometer
<input type="checkbox"/>	With Intermediate Limit Switch
<input type="checkbox"/>	With Speed Controller

NOTE.
1.The shape and appearance of assembly differ a little with nominal size compared to this drawing.
2.P shows manual operating position.

28	SCREW (B)	2	STAINLESS STEEL (SUS304)	
27	BOLT·NUT (B)	4sets	STAINLESS STEEL (SUS304)	
26	BOLT (A)	4	STAINLESS STEEL (SUS304)	
25	JOINT	1	COPPER ALLOY C3604	
24	STAND	1	PPG	
23	ACTUATOR	1	ALUMINUM ALLOYS DIE CASTINGS ADC12 etc	
13	STOP RING	2	PVDF	used for flanged end
12	O-RING (E)	1	EPDM	
11	O-RING (D)	1	<input type="checkbox"/> EPDM <input type="checkbox"/> FKM	
10	CUSHION	2	<input type="checkbox"/> Others	
9	O-RING (B)	2	()	
8	O-RING (A)	2	()	
7	SEAT	2	PTFE	
6	STEM	1		
5	UNION NUT	2	<input type="checkbox"/> U-PVC <input type="checkbox"/> C-PVC	
4	END CONNECTOR	2	<input type="checkbox"/> PP <input type="checkbox"/> PVDF	
3	CARRIER	2		
2	BALL	1		
1	BODY	1		

No.	DESCRIPTION	QTY.	MATERIAL	REMARKS
ITEM	BALL VALVE (TYPE21) ELECTRIC MODEL T TYPE ASS'Y ANSI <input type="checkbox"/> FLANGED END, <input type="checkbox"/> SOCKET END, <input type="checkbox"/> THREADED END 2½" (65mm) ~ 4" (100mm)			
DRAWN	K.Sakiyama	DATE	SCALE	
CHECKED	H.Kawano	DEC.02.2014		
APPROVED	T.Iwamoto	DRAWING No.		
SPECIAL ORDER No.	IB-AE007AE			

ASAHI YUKIZAI CORPORATION

FLANGED END

