

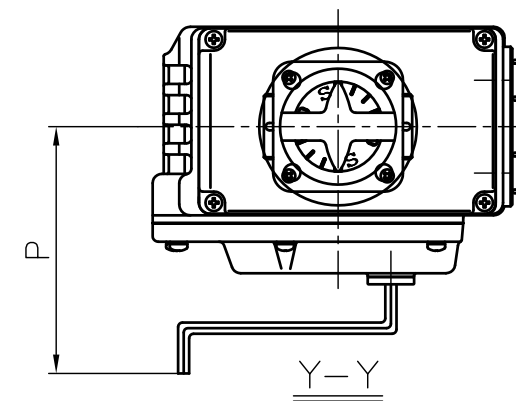
DIMENSIONS TABLE

| NOMINAL SIZE | d  | d'  | FLANGED END |     |     |    |         |     |     |    |             |     |      |     |       | SOCKET END   |                |                |      |       |       |     |             | THREADED END |     |     |      |     |
|--------------|----|-----|-------------|-----|-----|----|---------|-----|-----|----|-------------|-----|------|-----|-------|--------------|----------------|----------------|------|-------|-------|-----|-------------|--------------|-----|-----|------|-----|
|              |    |     | JIS 5K      |     |     |    | JIS 10K |     |     |    | L           |     |      |     |       | U-PVC, C-PVC |                |                |      | PP    |       |     |             | d2           | l   | L   |      |     |
|              |    |     | D           | C   | n   | h  | D       | C   | n   | h  | U-PVC C-PVC | PP  | PVDF | t   | d1    | l            | 1/4            | L              | d1   | d1'   | l     | L   | U-PVC C-PVC |              |     | PP  | PVDF |     |
| 65mm 2½"     | 65 | 58  | 155         | 130 | 4   | 15 | 175     | 140 | 4   | 19 | 261         | 257 | 256  | 18  | 76.60 | 61           | ¼ <sub>8</sub> | 273            | 75.0 | 73.0  | 35    | 219 | Rc2½        | 32           | 215 | 213 | 212  |     |
| 80           | 3  | 78  | 68.5        | 180 | 145 | 4  | 19      | 185 | 150 | 8  | 19          | 306 | 305  | 302 | 18    | 89.60        | 64             | ¼ <sub>9</sub> | 316  | 88.0  | 86.0  | 35  | 257         | Rc 3         | 35  | 265 | 264  | 261 |
| 100          | 4  | 100 | 90          | 200 | 165 | 8  | 19      | 210 | 175 | 8  | 19          | 374 | 374  | 369 | 18    | 114.70       | 84             | ⅙ <sub>6</sub> | 419  | 113.0 | 111.0 | 45  | 341         | Rc 4         | 45  | 362 | 362  | 357 |

UNIT: mm

| NOMINAL SIZE | D1  | H   | H1  | A   | A2   | A3 | S     | S1 | S2 | S3 | S4 | S5 | P   | ACTUATOR MODEL |
|--------------|-----|-----|-----|-----|------|----|-------|----|----|----|----|----|-----|----------------|
| 65mm 2½"     | 133 | 280 | 72  | 202 | 53.8 | 85 | 107.5 | 48 | 9  | 6  | 32 | 7  | 128 | T-0            |
| 80           | 152 | 289 | 85  | 202 | 53.8 | 85 | 116.5 | 55 | 11 | 7  | 32 | 7  | 128 |                |
| 100          | 210 | 327 | 110 | 202 | 53.8 | 85 | 151.5 | 65 | 11 | 8  | 42 | 9  | 128 |                |

Manual operation



| Spec.   |
|---|
| <input type="checkbox"/> Standard                       |
| <input type="checkbox"/> With Potentiometer             |
| <input type="checkbox"/> With Intermediate Limit Switch |
| <input type="checkbox"/> With Speed Controller          |

NOTE.

- The shape and appearance of assembly differ a little with nominal size compared to this drawing.
- P shows manual operating position.

|    |                |       |  |                      |
|----|----------------|-------|--|----------------------|
| 28 | SCREW (B)      | 2     | STAINLESS STEEL (SUS304)   |                      |
| 27 | BOLT · NUT (B) | 4sets | STAINLESS STEEL (SUS304)   |                      |
| 26 | BOLT (A)       | 4     | STAINLESS STEEL (SUS304)   |                      |
| 25 | JOINT          | 1     | COPPER ALLOY C3604   |                      |
| 24 | STAND          | 1     | PPG  |                      |
| 23 | ACTUATOR       | 1     | ALUMINUM ALLOYS DIE CASTINGS ADC12 etc                           |                      |
| 13 | STOP RING      | 2     | PVDF   | used for flanged end |
| 12 | O-RING (E)     | 1     | EPDM   |                      |
| 11 | O-RING (D)     | 1     | <input type="checkbox"/> EPDM<br><input type="checkbox"/> FKM    |                      |
| 10 | CUSHION        | 2     | <input type="checkbox"/> Others                                  |                      |
| 9  | O-RING (B)     | 2     | ( )  |                      |
| 8  | O-RING (A)     | 2     | ( )  |                      |
| 7  | SEAT           | 2     | PTFE   |                      |
| 6  | STEM           | 1     |  |                      |
| 5  | UNION NUT      | 2     | <input type="checkbox"/> U-PVC<br><input type="checkbox"/> C-PVC |                      |
| 4  | END CONNECTOR  | 2     | <input type="checkbox"/> PP<br><input type="checkbox"/> PVDF     |                      |
| 3  | CARRIER        | 2     |  |                      |
| 2  | BALL           | 1     |  |                      |
| 1  | BODY           | 1     |  |                      |

| No.               | DESCRIPTION   | QTY.        | MATERIAL | REMARKS |
|-------------------|---|-------------|----------|---------|
| ITEM              | BALL VALVE (TYPE21) ELECTRIC MODEL T TYPE ASS'Y<br>JIS : FLANGED END (□JIS 5K, □JIS 10K),<br>□ SOCKET END, □ THREADED END<br>65mm (2½") ~100mm (4") |             |          |         |
| DRAWN             | K.Sakiyama  | DATE        | SCALE    |         |
| CHECKED           | H.Kawano  | DEC.01.2014 |          |         |
| APPROVED          | T.Iwamoto   | DRAWING No. |          |         |
| SPECIAL ORDER No. | IB-AE007JE  |             |          |         |

ASAHI YUKIZAI CORPORATION

FLANGED END

