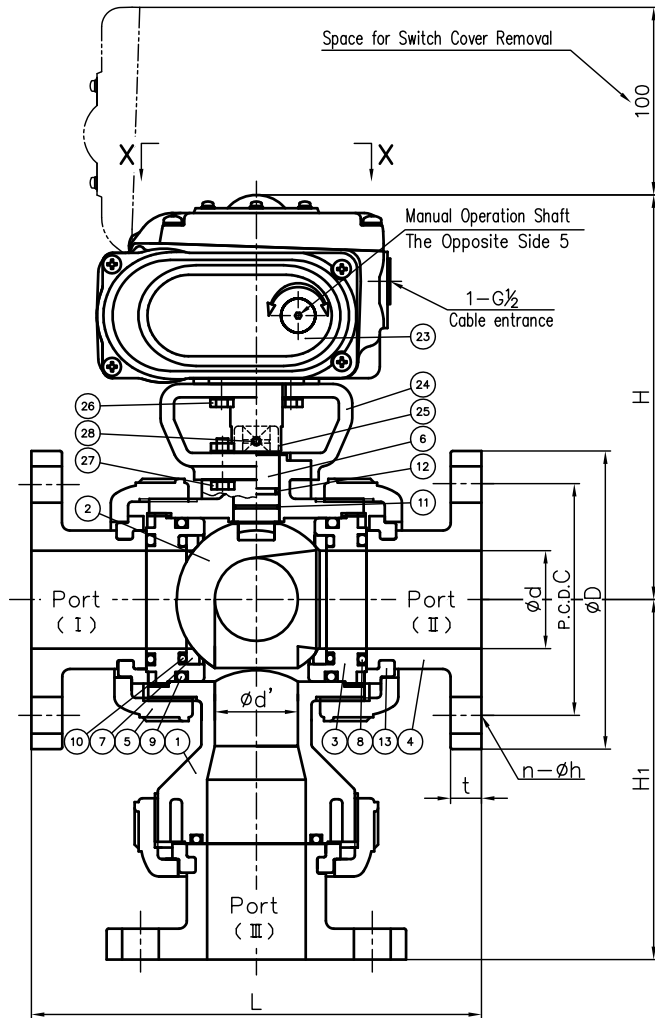


DIMENSIONS TABLE

NOMINAL SIZE	FLANGED END													SOCKET END										
	d	d'	JIS 5K				JIS 10K				L	t	H ₁	U-PVC, C-PVC				PP						
			D	C	n	h	D	C	n	h				d ₁	l	ℓ	L	H ₁	d ₁	d ₁ '	l	L	H ₁	
15mm	1/2"	15	15	80	60	4	12	95	70	4	15	143	12	94	22.11	20	3/4	109	77	21.2	20.2	20	108	77
20	3/4	20	20	85	65	4	12	100	75	4	15	172	14	115	26.13	24	3/4	128	93	26.2	25.2	23	126	92
25	1	25	25	95	75	4	12	125	90	4	19	187	14	133	32.16	27	3/4	145	112	33.0	32.0	25	141	110
32	1 1/4	40	32	115	90	4	15	135	100	4	19	212	16	165	38.19	30	3/4	174	146.5	-	-	-	-	-
40	1 1/2	40	32	120	95	4	15	140	105	4	19	212	16	165	48.21	37	3/7	189	154	47.0	46.0	28	171	145
50	2	51	43	130	105	4	15	155	120	4	19	234	16	187	60.25	42	3/7	220	180	59.0	58.0	28	192	166
65	2 1/2	78	58	155	130	4	15	175	140	4	19	304	18	256	76.6	61	3/8	316	261	75.0	73.0	35	264	235
80	3	78	58	180	145	4	19	185	150	8	19	304	18	256	89.60	64	3/8	316	261	88.0	86.0	35	258	232
100	4	100	78	200	165	8	19	210	175	8	19	372	18	305	114.70	84	3/8	418	328	113.0	111.0	45	340	289

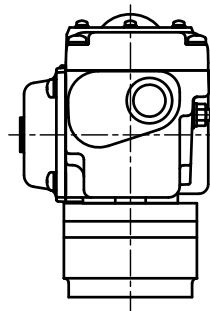
FLANGED END



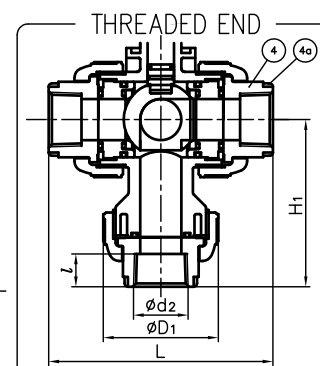
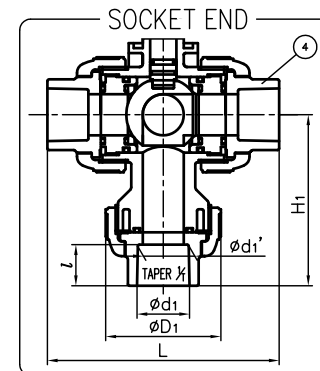
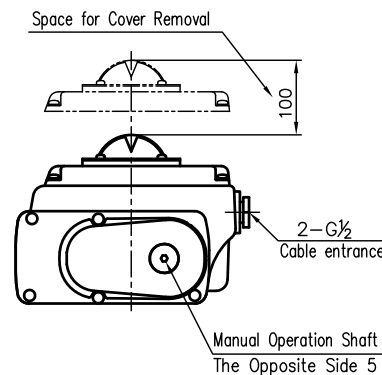
ACTUATOR MODEL	Spec.
T-00	<input type="checkbox"/> Standard <input type="checkbox"/> With Space Heater
T-0	<input type="checkbox"/> Standard <input type="checkbox"/> With Potentiometer <input type="checkbox"/> With Intermediate Limit Switch <input type="checkbox"/> With Speed Control Unit

NOMINAL SIZE	UNIT : mm											ACTUATOR TYPE
	THREADED END					SOCKET END						
	d ₂	ℓ	L	H ₁	D ₁	H	A	A ₁	A ₂	A ₃		
15mm 1/2"	Rc 1/2	15	102	74	48	169.5	84	70.5	41	58	T-00	
20 3/4	Rc 3/4	17	120	89	60	176	84	70.5	41	58	T-00	
25 1	Rc 1	20	131	105	70	183	84	70.5	41	58	T-00	
32 1 1/4	Rc 1 1/4	22	163	141	100	200.5	84	70.5	41	58	T-00	
40 1 1/2	Rc 1 1/2	25	163	141	100	200.5	84	70.5	41	58	T-00	
50 2	Rc 2	28	197	168	126	212	84	70.5	41	58	T-00	
65 2 1/2	Rc 2 1/2	32	264	235	152	289	100	102	53.8	85	T-0	
80 3	Rc 3	35	264	235	152	289	100	102	53.8	85	T-0	
100 4	Rc 4	45	360	299	210	327	100	102	53.8	85	T-0	

NOTE. The shape and appearance of assembly differ a little with nominal size compared to this drawing.



Used for Size 65-100mm



No.	DESCRIPTION	QTY.	MATERIAL	REMARKS
4a	RING	3	STAINLESS STEEL (SUS304)	Used for C-PVC Body, Threaded End: 15-25mm
28	SCREW (B)	2	STAINLESS STEEL	SUS304
27	BOLT · NUT (B)	4sets	STAINLESS STEEL	SUS304
26	BOLT (A)	4	STAINLESS STEEL	SUS304
25	JOINT	1	COPPER ALLOY	C3604
24	STAND	1	PPG	
23	ACTUATOR	1	ALUMINUM ALLOYS DIE CASTINGS (ADC12) etc.	
13	STOP RING	3	PVDF	Used for Flanged End
12	O-RING (E)	1		
11	O-RING (D)	1	□EPDM	
10	CUSHION	2	□FKM	Used for Size 65-100mm
	O-RING (C)	2	□Others	Used for Size 15-50mm
9	O-RING (B)	2	()	
8	O-RING (A)	3		
7	SEAT	2	PTFE	
6	STEM	1		
5	UNION NUT	3	□PVC	
4	END CONNECTOR	3	□C-PVC	
3	CARRIER	2	□PP	
2	BALL	1	□PVDF	
1	BODY	1		

ITEM 3-WAY BALL VALVE (TYPE 23) ELECTRIC MODEL T TYPE ASS'Y DOUBLE L-PORT TYPE
JIS: FLANGED END (□JIS 5K, □JIS 10K),
□SOCKET END, □THREADED END
15mm (1/2") ~100mm (4")

DRAWN	K.Sakiyama	DATE	SCALE
CHECKED	H.Kawano	JAN.16.2018	~
APPROVED	T.Iwamoto	DRAWING No. T3-AE009JE	
SPECIAL ORDER No.			

ASAHI YUKIZAI CORPORATION