

# Diaphragm Valve Type 15,72 (Electric Actuated Type S) Type 15:125mm,150mm(5inch,6inch) Type 72:200mm,250mm(8inch,10inch)

- Body Material**  
PVC  
PP  
PVDF
- Diaphragm Material**  
PTFE  
EPDM  
FKM
- Connection Standard**  
JIS 10K · JIS 5K  
ANSI CLASS150  
DIN PN10
- Power Source**  
Three-Phase  
AC200V/400V
- Equipment**  
Manual Operation Mechanism  
(Handle is sold separately.)  
Torque Switches  
Space Heater  
Indicator
- Option**  
Output Contact Limit Switches  
Potentiometer  
E-E Positioner  
R/I Transmitter



## FEATURES

- Standard Torque Switch protects valves from Overload.
- Automatic return does not require Clutch Operation after Manual Operation.

## OPTIONAL EQUIPMENT

Combination No.	1	2	3	4
Space Heater	●	●	●	●
Output Contact Limit Switches	○	—	—	—
Potentiometer	—	○	○	○
R-I Transmitter	—	—	○	○
E-E Positioner	—	—	—	○

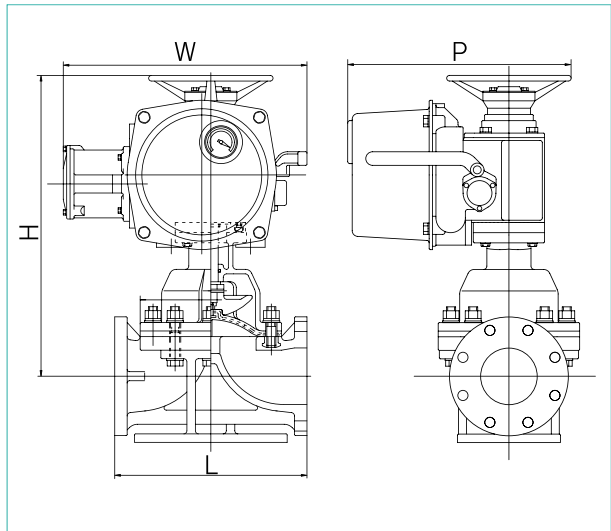
● Standard Equipment  
※ Actuator Type is to be changed.

## ACTUATOR SPECIFICATION

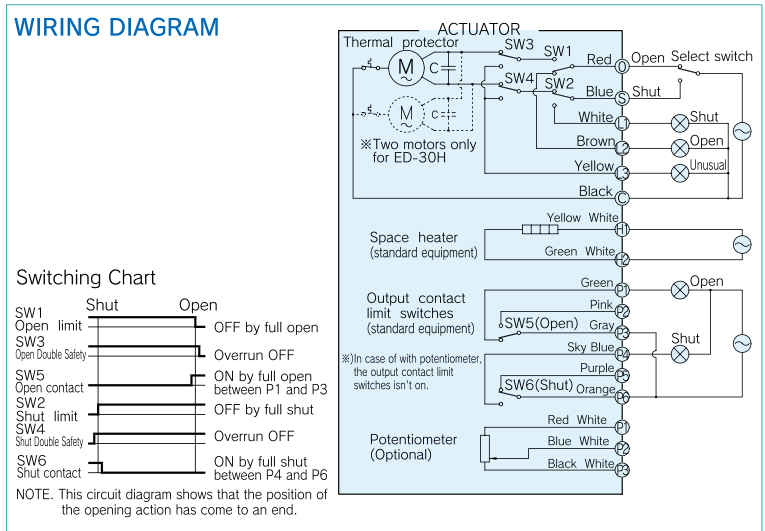
Nominal Size mm(inch)	125 (5inch)	150 (6inch)	200 (8inch)	250 (10inch)
Actuator Type	LTRM-01		LTMD-01	LTMD-02
Cycle Time 50/60Hz(seconds)	29/24	54/46.5	75.5/63	90/75
Motor Output(W)	400		400	750
Motor Starting	200V 8.8/8.3		8.0/7.4	15.6/15.2
Current(A) 50/60Hz	400V 4.4/4.1		4.0/3.7	7.8/7.6
Motor Rated	200V 3.0/2.4		2.5/2.2	4.4/4.0
Current(A) 50/60Hz	400V 1.5/1.2		1.3/1.1	2.2/2.0
Number of revolutions of manual operating handle	10	10	16	18
Limit Switch Capacity	AC 250V 5A			
Protective Structure	IP55			
Cable Connector Nominal Size	2-G1	Operating circuit:2G1		Motor circuit:G3/4
Motor Pole(P)	4			
Motor Insulation	E Class			
Motor Time Rating(minute)	15			

※ In the case of Actuator with Electric Positioner, the model number is followed by "Z".

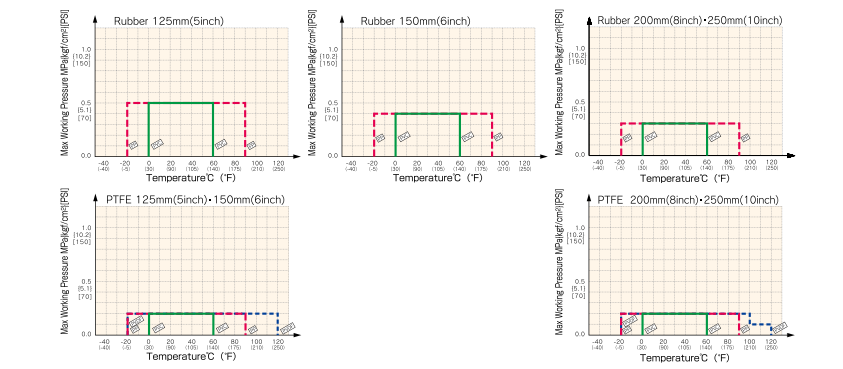
## DIMENSIONS FIGURE



## SCHEMATIC DIAGRAM



## WORKING PRESSURE VS. TEMPERATURE



## DIMENSIONS TABLE

JIS, ANSI, DIN		Unit:mm(inch)			
Nominal Size		125 (5)	150 (6)	200 (8)	250 (10)
L	JIS	410 (16.14)	480 (18.90)	570 (22.44)	680 (26.77)
	DIN	400 (15.75)	480 (18.90)	600 (23.62)	730 (28.74)
	ANSI	410 (16.14)	480 (18.90)	570 (22.44)	680 (26.77)
H		590 (23.23)	714 (28.11)	802 (31.57)	969 (38.15)
W		430 (16.93)	635 (25.00)	635 (25.00)	675 (26.57)
P		395 (15.55)	522 (20.55)	522 (20.55)	557 (21.93)