

Diaphragm Valve Type 14 (Pneumatic Actuated Type AN) 15mm-50mm (1/2inch-2inch)

Body Material

- PVC
- C-PVC
- PP
- PVDF

Diaphragm Material

- PTFE
- EPDM
- FKM
- Viflon C (FKM-C)
- Viflon F (FKM-F)

Connection Standard

- JIS 10K
- ANSI CLASS150
- DIN PN10

Action

- Double Acting
- Air to Open
- Air to Close

Equipment

Indicator

Option

- Filter Regulator
- Solenoid Valve
- Limit Switch
- Speed Controller
- Manual Override
- Positioner



FEATURES

- The Actuator made of resin is Light and Compact.
- NAMUR Standard is applied for Air Piping.
- All optional Equipment (except positioner) can easily be added or removed in the field.
- A Closing Travel Stop Mechanism is Standard.

OPTIONAL EQUIPMENT

Combination No.	1	2	3	4	5	6	7	8	9
Solenoid Valve ※	○	—	—	○	○	—	○	—	—
Filter Regulator	—	—	—	—	—	—	—	—	○
Speed Controller	◎	○	—	◎	◎	○	◎	—	—
Limit Switch	—	—	○	—	○	○	○	—	—
Positioner (electric-air, air-air)	—	—	—	—	—	—	—	○	○

◎Indicates specialized for Solenoid Valve.

※With built-in speed controller and bypass valve.

ACTUATOR SPECIFICATION [Double Acting]

Nominal Size mm(inch)	15(1/2inch)	20(3/4inch)	25(1inch)	32(1 1/4inch)	40(1 1/2inch)	50(2inch)
Actuator Type	AN-1DA		AN-2DA		AN-3DA	AN-4DA
Operating Pressure Mpa[kgf/cm ²]	0.4{4.1} - 0.6{6.1}					
Air Consumption NI /open & close (at operating pressure 0.4NPa)	2.6	2.6	2.7	2.7	9.6	9.8
Air Supply Bore	Rc 1/4					

ACTUATOR SPECIFICATION [Air to Open]

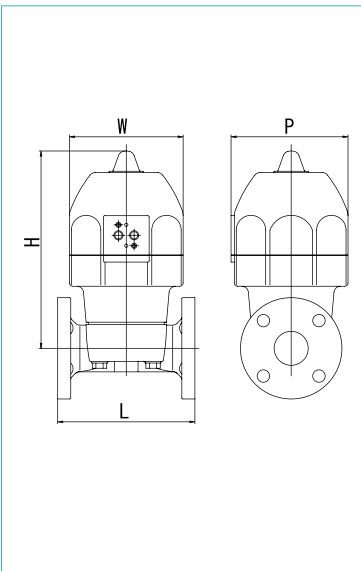
Nominal Size mm(inch)	15(1/2inch)	20(3/4inch)	25(1inch)	32(1 1/4inch)	40(1 1/2inch)	50(2inch)
Actuator Type	AN-1AO		AN-2AO		AN-3AO	AN-4AO
Operating Pressure Mpa[kgf/cm ²]	0.4{4.1} - 0.6{6.1}					
Air Consumption NI /open & close (at operating pressure 0.4NPa)	0.8	0.8	0.8	0.8	3.4	3.4
Air Supply Bore	Rc 1/4					

ACTUATOR SPECIFICATION [Air to Close]

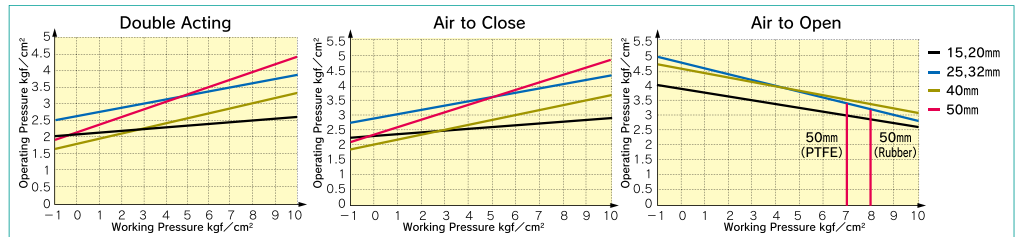
Nominal Size mm(inch)	15(1/2inch)	20(3/4inch)	25(1inch)	32(1 1/4inch)	40(1 1/2inch)	50(2inch)
Actuator Type	AN-1AS		AN-2AS		AN-3AS	AN-4AS
Operating Pressure Mpa[kgf/cm ²]	0.4{4.1} - 0.6{6.1}					
Air Consumption NI /open & close (at operating pressure 0.4NPa)	1.8	1.8	1.9	1.9	6.1	6.3
Air Supply Bore	Rc 1/4					

* for the actuator with lubricant free valves consult near Asahi dealer.

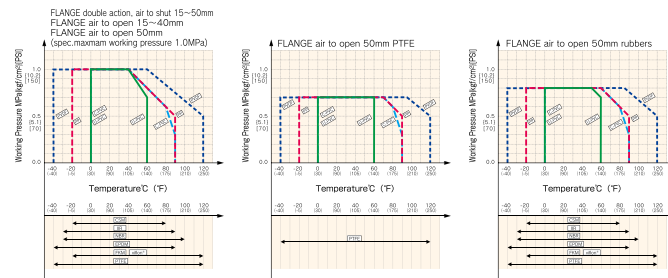
DIMENSIONS FIGURE



OPERATION PRESSURE vs WORKING PRESSURE



WORKING PRESSURE VS. TEMPERATURE



DIMENSIONS TABLE

JIS, ANSI, DIN		Unit:mm(inch)					
Nominal Size		15(1/2)	20(3/4)	25(1)	32(1 1/4)	40(1 1/2)	50(2)
L	JIS	110(4.33)	120(4.72)	130(5.12)	142(5.59)	180(7.09)	210(8.27)
	DIN	130(5.12)	150(5.91)	160(6.30)	180(7.09)	200(7.87)	230(9.06)
ANSI	A Standard	110(4.33)	120(4.72)	130(5.12)	—	180(7.09)	210(8.27)
	G Standard	108(4.25)	149(5.88)	149(5.88)	213(6.38)	176(6.94)	202(7.94)
H		186(7.32)	188(7.4)	193(7.6)	197(7.76)	293(11.54)	302(11.89)
W		130(5.12)	130(5.12)	130(5.12)	130(5.12)	174(6.85)	174(6.85)
P		133(5.24)	133(5.24)	133(5.24)	133(5.24)	179(7.05)	179(7.05)