

True Union Diaphragm Valve Type14 (Pneumatic Actuated Type AN) 15mm-50mm(1/2inch-2inch)

Body Material

- PVC
- C-PVC
- PP
- PVDF

Diaphragm Material

- PTFE
- EPDM
- FKM
- Viflon C (FKM-C)
- Viflon F (FKM-F)

Connection Standard

- Socket End JIS
- Socket End ASTM SCH80
- Socket End DIN
- Threaded End Rc
- Threaded End NPT
- Threaded End Rp



FEATURES

- The Actuator made of Resin is Light and Compact.
- NAMUR Standard is applied for air piping.
- All Optional Equipment(except positioner) can easily be added or removed in the Field.
- A Closing Travel Stop mechanism is standard.

OPTIONAL EQUIPMENT

Combination No.	1	2	3	4	5	6	7	8	9
Solenoid Valve ※	○	—	—	○	○	—	○	—	—
Filter Regulator	—	—	—	—	—	—	—	○	○
Speed Controller	◎	○	—	◎	◎	○	◎	—	—
Limit Switch	—	—	○	—	○	○	○	—	—
Positioner (Electric-Air, Air-Air)	—	—	—	—	—	—	—	○	○

◎Indicates specialized for Solenoid Valve.

※With built-in speed controller and bypass valve.

ACTUATOR SPECIFICATION [Double Acting]

Nominal Size mm(inch)	15(1/2inch)	20(3/4inch)	25(1inch)	32(1 1/4inch)	40(1 1/2inch)	50(2inch)
Actuator Type	AN-1DA		AN-2DA		AN-3DA	AN-4DA
Operating Pressure Mpa(kgf/cm ²)	0.4{4.1} - 0.6{6.1}					
Air Consumption NI /Open & Close (at operating pressure 0.4NPa)	2.6	2.6	2.7	2.7	9.6	9.8
Air Supply Bore	Rc 1/4					

ACTUATOR SPECIFICATION [Air to Open]

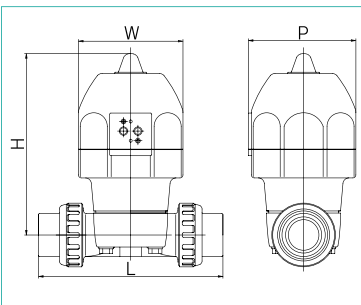
Nominal Size mm(inch)	15(1/2inch)	20(3/4inch)	25(1inch)	32(1 1/4inch)	40(1 1/2inch)	50(2inch)
Actuator Type	AN-1AO		AN-2AO		AN-3AO	AN-4AO
Operating Pressure Mpa(kgf/cm ²)	0.4{4.1} - 0.6{6.1}					
Air Consumption NI /Open & Close (at operating pressure 0.4NPa)	0.8	0.8	0.8	0.8	3.4	3.4
Air Supply Bore	Rc 1/4					

ACTUATOR SPECIFICATION [Air to Close]

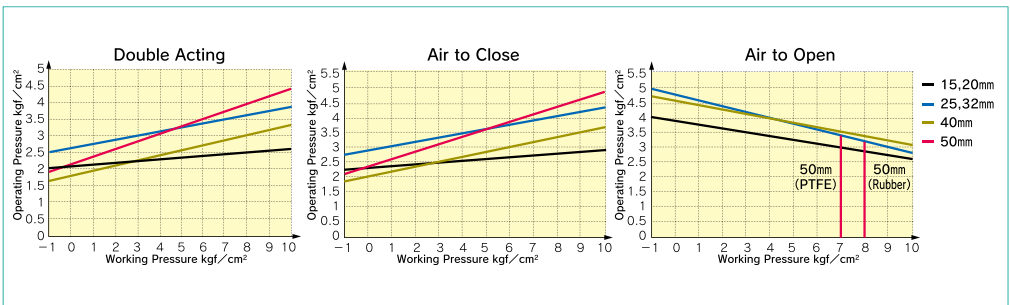
Nominal Size mm(inch)	15(1/2inch)	20(3/4inch)	25(1inch)	32(1 1/4inch)	40(1 1/2inch)	50(2inch)
Actuator Type	AN-1AS		AN-2AS		AN-3AS	AN-4AS
Operating Pressure Mpa(kgf/cm ²)	0.4{4.1} - 0.6{6.1}					
Air Consumption NI /Open & Close (at operating pressure 0.4NPa)	1.8	1.8	1.9	1.9	6.1	6.3
Air Supply Bore	Rc 1/4					

* for the actuator with lubricant free valves consult near Asahi dealer.

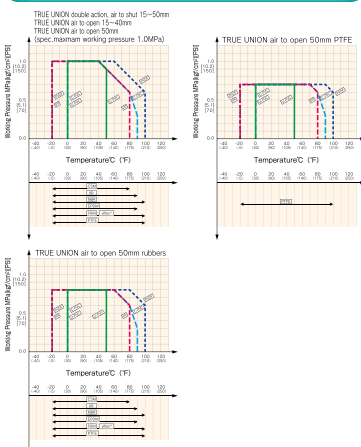
DIMENSIONS FIGURE



OPERATION PRESSURE vs WORKING PRESSURE



WORKING PRESSURE VS. TEMPERATURE



DIMENSIONS TABLE

JIS, ANSI, DIN		Unit:mm(inch)															
Nominal Size		15(1/2)	20(3/4)	25(1)	32(1 1/4)	40(1 1/2)	50(2)	Nominal Size		15(1/2)	20(3/4)	25(1)	32(1 1/4)	40(1 1/2)	50(2)		
Threaded End	L	PVC, C-PVC	JIS	128 (5.04)	148 (5.83)	172 (6.77)	188 (7.4)	245 (9.65)	281 (11.06)	Common	JIS	134 (5.28)	154 (6.06)	182 (7.17)	—	253 (9.96)	275 (10.83)
			DIN	128 (5.04)	148 (5.83)	172 (6.77)	188 (7.4)	245 (9.65)	281 (11.06)		DIN	125 (4.92)	141 (5.55)	164 (6.46)	177 (6.97)	231 (9.09)	274 (10.79)
			ANSI	128 (5.04)	148 (5.83)	172 (6.77)	188 (7.4)	245 (9.65)	281 (11.06)		ANSI	138 (5.43)	155 (6.09)	184 (7.24)	198 (7.80)	261 (10.28)	293 (11.54)
	Socket End	PP	JIS	128 (5.04)	148 (5.83)	172 (6.77)	188 (7.4)	245 (9.65)	278 (10.95)		H	186 (7.32)	188 (7.4)	193 (7.6)	197 (7.76)	293 (11.54)	302 (11.89)
			DIN	128 (5.04)	148 (5.83)	172 (6.77)	188 (7.4)	245 (9.65)	278 (10.95)		W	130 (5.12)	130 (5.12)	130 (5.12)	130 (5.12)	174 (6.85)	174 (6.85)
			ANSI	128 (5.04)	148 (5.83)	172 (6.77)	188 (7.4)	245 (9.65)	278 (10.95)		P	133 (5.24)	133 (5.24)	133 (5.24)	133 (5.24)	179 (7.05)	179 (7.05)
Socket End	PVDF	JIS	128 (5.04)	148 (5.83)	172 (6.77)	188 (7.4)	245 (9.65)	278 (10.95)	Common	JIS	138 (5.43)	155 (6.09)	184 (7.24)	198 (7.80)	261 (10.28)	293 (11.54)	
		DIN	125 (4.92)	141 (5.55)	164 (6.46)	177 (6.97)	231 (9.09)	274 (10.79)		DIN	125 (4.92)	141 (5.55)	164 (6.46)	177 (6.97)	231 (9.09)	274 (10.79)	
		ANSI	138 (5.43)	155 (6.09)	184 (7.24)	198 (7.80)	261 (10.28)	293 (11.54)		ANSI	138 (5.43)	155 (6.09)	184 (7.24)	198 (7.80)	261 (10.28)	293 (11.54)	