

Diaphragm Valve Type 15,72(Pneumatic Actuated Type AV) Type15:125mm,150mm(5inch,6inch) Type72:200mm,250mm(8inch,10inch)

- Body Material**
 - PVC
 - PP
 - PVDF
- Diaphragm Material**
 - PTFE
 - EPDM
 - FKM
- Connection Standard**
 - JIS 10K · JIS 5K
 - ANSI CLASS150
 - DIN PN10
- Action**
 - Double Acting
 - Air to Open
 - Air to Close
- Equipment**
 - Opening Indicator (Gauge Cover)
- Option**
 - Filter Regulator
 - Solenoid Valve
 - Speed Controller
 - Positioner



FEATURES

■ Stopper provided to adjust to Fully-Closed position.

OPTIONAL EQUIPMENT

Combination No.	1	2	3	4	5	6	7	8	9	10	11	12	13
Solenoid Valve ※	○	—	—	○	○	○	—	○	○	○	—	—	—
Filter Regulator	—	—	—	○	—	—	—	○	○	—	○	—	○
Speed Controller	—	○	—	—	○	—	○	○	—	○	—	—	—
Limit Switch	—	—	○	—	—	○	—	○	○	—	—	—	—
Positioner (Electric-Air, Air-Air)	—	—	—	—	—	—	—	—	—	—	○	○	○

ACTUATOR SPECIFICATION [Double Acting]

Nominal Size mm(inch)	125(5inch)	150(6inch)	200(8inch)	250(10inch)
Actuator Type	—	—	—	—
Operating Pressure Mpa[kgf/cm ²]	0.4{4.1} - 0.6{6.1}			
Air Consumption NI /Open & Close (at operating pressure 0.4NPa)	36.6	67.3	87.3	214
Air Supply Bore	Rc 3/8			

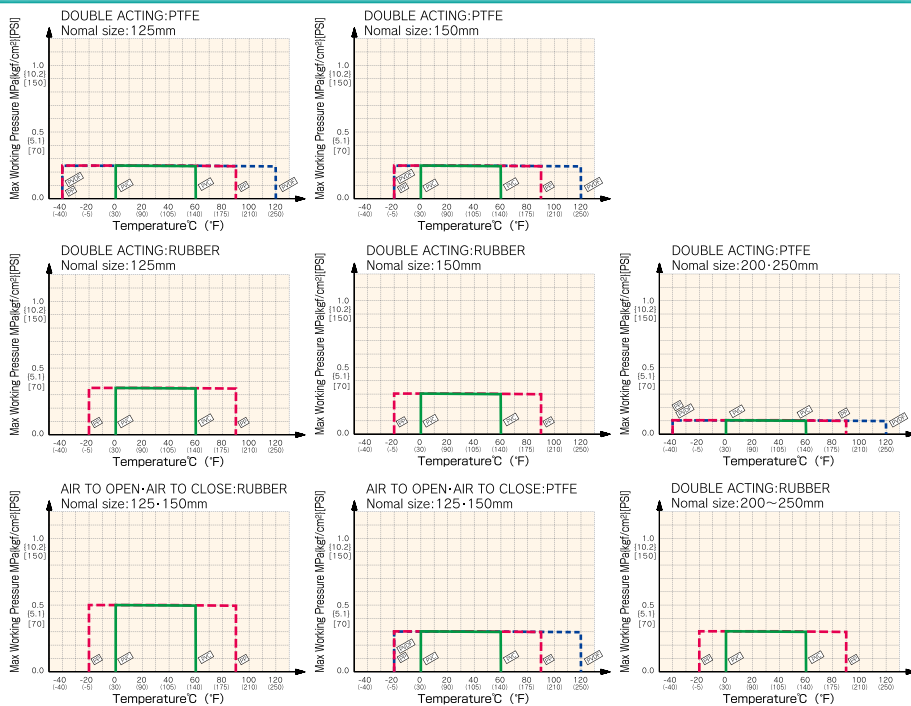
ACTUATOR SPECIFICATION [Air to Open]

Nominal Size mm(inch)	125(5inch)	150(6inch)
Actuator Type	—	—
Operating Pressure Mpa[kgf/cm ²]	0.4{4.1} - 0.6{6.1}	
Air Consumption NI /Open & Close (at operating pressure 0.4NPa)	55.6	84.2
Air Supply Bore	Rc 3/8	

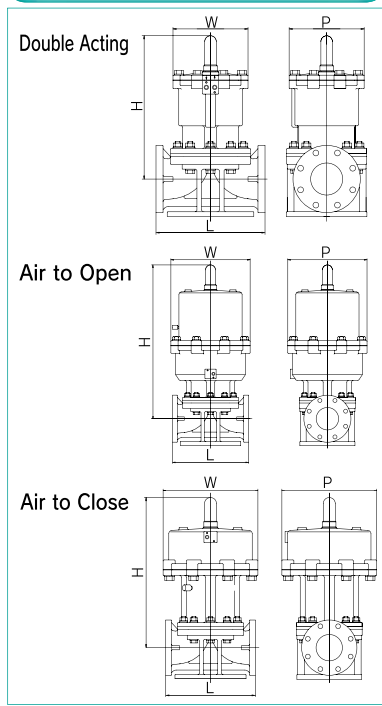
ACTUATOR SPECIFICATION [Air to Close]

Nominal Size mm(inch)	125(5inch)	150(6inch)
Actuator Type	—	—
Operating Pressure Mpa[kgf/cm ²]	0.4{4.1} - 0.6{6.1}	
Air Consumption NI /Open & Close (at operating pressure 0.4NPa)	38.4	60.5
Air Supply Bore	Rc 3/8	

WORKING PRESSURE VS. TEMPERATURE



DIMENSIONS FIGURE



DIMENSIONS TABLE

JIS, ANSI, DIN			Unit:mm(inch)			
Common	Nominal Size		125 (5)	150 (6)	200 (8)	250 (10)
		L	JIS DIN ANSI	410 (16.14) 400 (15.75) 410 (16.14)	480 (18.90) 480 (18.90) 480 (18.90)	570 (22.44) 600 (23.62) 570 (22.44)
Double Acting	H		508 (20.00)	566 (22.28)	742 (29.21)	890 (35.04)
	W		305 (12.01)	385 (15.16)	387.5 (15.26)	520 (20.47)
	P		302.5 (11.91)	387.5 (15.26)	385 (15.16)	520 (20.47)
Air to Open	H		690 (27.17)	790 (31.10)	—	—
	W		455 (17.91)	520 (20.47)	—	—
	P		455 (17.91)	520 (20.47)	—	—
Air to Close	H		653 (25.71)	722 (28.43)	—	—
	W		455 (17.91)	520 (20.47)	—	—
	P		455 (17.91)	520 (20.47)	—	—