

Rotary Damper Type 57,56 (Electric Actuated Type T) 40mm - 400mm(1 1/2inch - 16inch) Type57:40-350mm(1 1/2inch-14inch),Type56:400mm(16inch)

Body Material

PVC
PP
PVDF

O-ring Material

EPDM
FKM

Connection Standard

JIS 10K · JIS 5K
ANSI CLASS150
DIN PN10

Power Source

Single-Phase
AC100V/110V/200V/220V

Equipment

Space Heater
Output Contact Limit Switches
Indicator
Manual Operation-Mechanism

Option

E-E Positioner
Intermediate Limit Switch (no-volt)
Speedcontrol Unit



FEATURES

- Damper Style is Designed for Flow Control.(Damper Style is not a tight off Valve.)
- Lightweight and Compact with High-Torque.
- Manual Operation Handle is equipped normally and operativeness has improved.
- Indicator that can be seen easily.

OPTIONAL EQUIPMENT

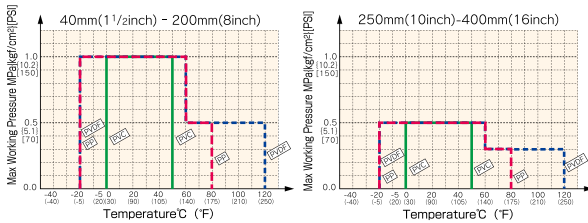
Combination No.	1	2	3	4	5	6	7
Space Heater	●	●	○	●	○	●	○
Output Contact Limit Switches	●	●	●	—	●	—	●
Potentiometer	—	○	—	—	—	○	○
E-E Positioner	—	—	○	—	—	—	—
Intermediate Limit Swirch (no-volt)	—	—	—	○	—	○	—
Speedcontrol Unit	—	—	—	—	○	—	○

●Standard Equipment

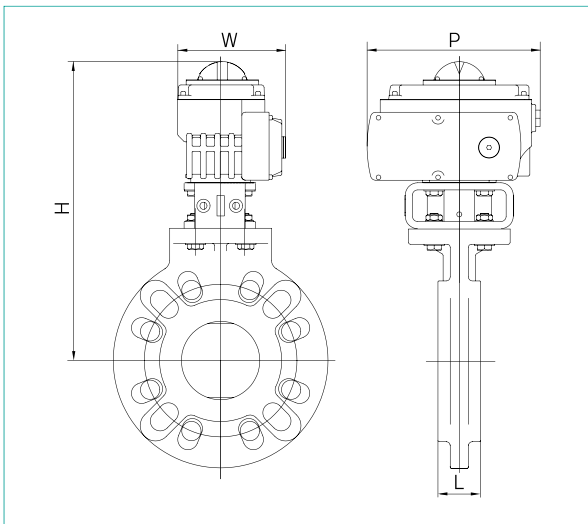
ACTUATOR SPECIFICATION

Nominal Size mm(inch)	40-150(1 1/2inch-6inch)	200-350(8inch-14inch)	400(16inch)
Actuator Type	AOC-0	AOC-2	AOC-3
Cycle Time 50/60Hz(seconds)	25/20		55/50
Motor Output(W)	8	30	90
Motor Starting Current(A) 50/60Hz	100V	1.20/1.20	2.40/2.40
	110V	1.40/1.40	2.50/2.50
	200V	0.50/0.50	1.10/1.10
	220V	0.70/0.70	1.20/1.20
Motor Rated Current(A) 50/60Hz	100V	0.50/0.50	0.90/1.20
	110V	0.60/0.60	1.00/1.20
	200V	0.25/0.25	0.50/0.80
220V	0.30/0.30	0.60/0.80	0.9/1.0
Number of revolutions of manual operating handle	6.7	16.5	16.5
Limit Switch Capacity	AC 250V 10A		
Protective Structure	JIS C 0920 Waterjet-proof type (IEC IP65)		
Cable Connector Nominal Size	G1/2		
Motor Pole(P)	4		
Motor Insulation	E Class		
Motor Time Rating(minute)	30		
Space Heater Output(W)	5		

WORKING PRESSURE VS. TEMPERATURE

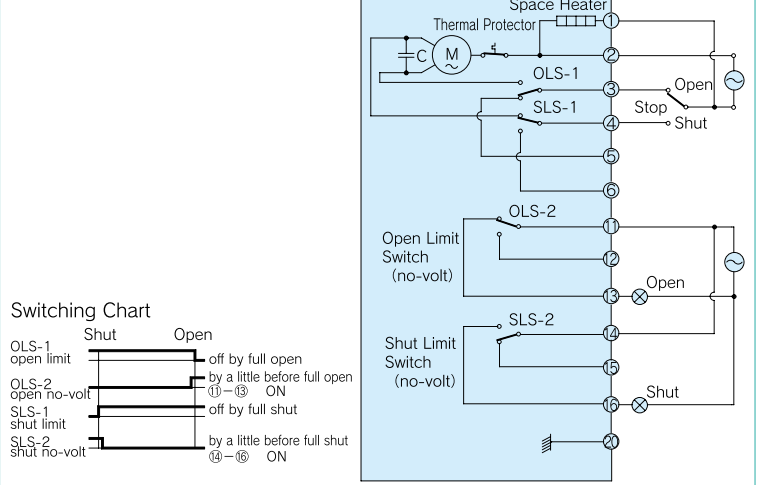


DIMENSIONS FIGURE



SCHEMATIC DIAGRAM

WIRING DIAGRAM



DIMENSIONS TABLE

JIS, ANSI, DIN		Unit:mm(inch)											
Nominal Size		40 (1 1/2)	50 (2)	65 (2 1/2)	80 (3)	100 (4)	125 (5)	150 (6)	200 (8)	250 (10)	300 (12)	350 (14)	400 (16)
L		32 (1.26)	35 (1.38)	37 (1.46)	37 (1.46)	47 (1.85)	57 (2.24)	62 (2.44)	76 (2.99)	96 (3.78)	116 (4.57)	116 (4.57)	157 (6.12)
	H	290 (11.42)	300 (11.81)	310 (12.20)	325 (12.80)	340 (13.39)	361 (14.21)	376 (14.80)	455 (17.91)	490 (19.29)	566 (22.28)	593 (23.37)	650 (25.35)
H	PVC, PP	310 (12.20)	320 (12.60)	330 (12.99)	345 (13.58)	360 (14.17)	381 (15.00)	396 (15.59)	475 (18.70)	510 (20.08)	586 (23.07)	613 (24.13)	670 (26.13)
	PVDF	138.8 (5.47)	138.8 (5.47)	138.8 (5.47)	138.8 (5.47)	138.8 (5.47)	138.8 (5.47)	138.8 (5.47)	239 (9.42)	239 (9.42)	239 (9.42)	239 (9.42)	381.5 (14.88)
W		202 (7.96)	202 (7.96)	202 (7.96)	202 (7.96)	202 (7.95)	202 (7.96)	202 (7.96)	310 (12.20)	310 (12.20)	310 (12.20)	310 (12.20)	388 (15.13)
P		202 (7.96)	202 (7.96)	202 (7.96)	202 (7.96)	202 (7.95)	202 (7.96)	202 (7.96)	310 (12.20)	310 (12.20)	310 (12.20)	310 (12.20)	388 (15.13)