

Rotary Damper (Electric Actuated Type S) 40mm - 600mm(1 1/2inch - 24inch)

DIAPHRAGM VALVE

BALL VALVE

BUTTERFLY VALVE

ROTARY DAMPER

CONTROL VALVE

ULTRA SONIC FLOWMETER

IMPERA FLOWMETER

ULTRA SONIC FLOWMETER

- Body Material**
PVC
PP
PVDF
- Seat & O-ring Material**
EPDM
FKM
- Connection Standard**
JIS 10K · JIS 5K
ANSI CLASS150
DIN PN10
- Power Source**
Three-Phase
AC200V/220V/400V/440V
- Equipment**
Manual Operation Mechanism (Handle is sold separately.)
Torque Switches
Output Contact
Limit Switches
Space Heater
Indicator
- Option**
Potentiometer
R/I Transmitter
E-E Positioner



FEATURES

- Speedy, exact operation by Motor with Direct Current Brake.
- Standard Torque Switch protects Valves from overload.
- Stopper enables Adjustment of an angle of ±5degree when fully-opened or fully-closed.

OPTIONAL EQUIPMENT

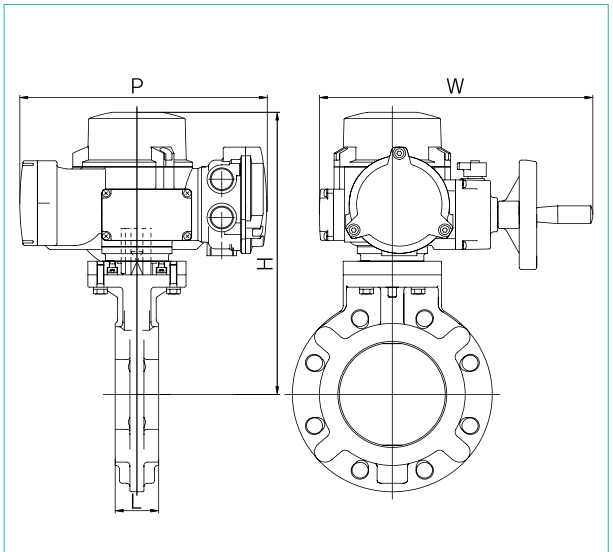
Combination No.	1	2	3
Space Heater	●	●	●
Output Contact Limit Switches	●	●	●
Potentiometer	○	○	○
R-I Transmitter	—	—	○
E-E Positioner	—	—	○

●Standard Equipment

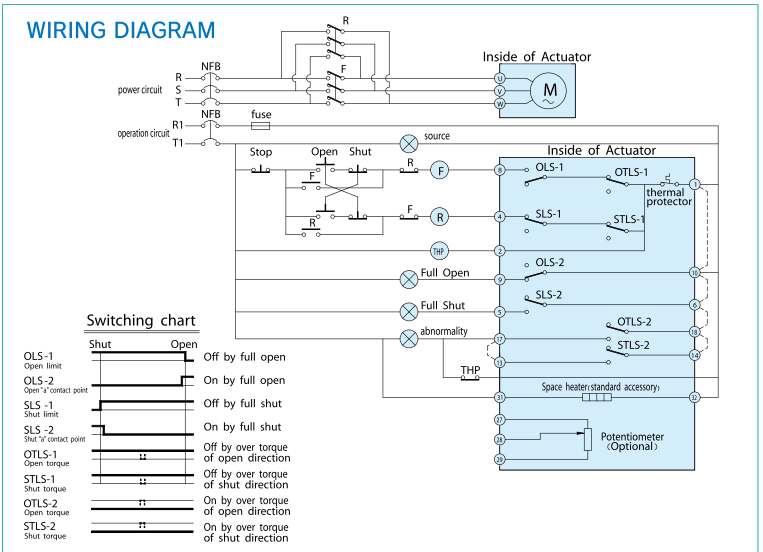
ACTUATOR SPECIFICATION

Nominal Size mm(inch)	40-150(1 1/2inch-6inch)	200-350(8inch-14inch)	400(16inch)	450-600(18inch-24inch)
Valve Type	Type 57		Type 56	Type 75
Actuator Type	SRJ-010	SRJ-020	SRJ-060	
Cycle Time 50/60Hz(seconds)	18/15	36/30	36/30	
Motor Output(W)	40		100	
Motor Starting	200V	1.27/1.19	1.89/1.77	
Current(A) 50/60Hz	400V	0.63/0.58	0.94/0.90	
Motor Rated	200V	0.53/0.45	0.74/0.67	
Current(A) 50/60Hz	400V	0.26/0.22	0.37/0.34	
Number of revolutions of manual operating handle	21		26	
Limit Switch Capacity	AC 250V 2A			
Protective Structure	IP68			
Cable Connector Nominal Size	3-G1			
Motor Pole(P)	4			
Motor Insulation	B Class			
Motor Time Rating(minute)	15			

DIMENSIONS FIGURE



SCHEMATIC DIAGRAM



DIMENSIONS TABLE

JIS, ANSI, DIN		Unit:mm(inch)													
Nominal Size	40 (1 1/2)	50 (2)	65 (2 1/2)	80(75) (3)	100 (4)	125 (5)	150 (6)	200 (8)	250 (10)	300 (12)	350 (14)	400 (16)	450 (18)	500 (20)	600 (24)
L	32 (1.26)	35 (1.38)	37 (1.46)	37 (1.46)	47 (1.85)	57 (2.24)	62 (2.44)	76 (2.99)	96 (3.78)	116 (4.57)	116 (4.57)	157 (6.18)	167 (6.58)	177 (6.97)	197 (7.76)
H	U-PVC, PP	313 (12.32)	323 (12.72)	333 (13.11)	348 (13.70)	363 (14.29)	398 (15.67)	413 (16.26)	444 (17.48)	486 (19.14)	543 (21.38)	570 (22.44)	612 (24.10)	623 (24.53)	717 (28.23)
	PVDF	333 (13.11)	343 (13.51)	353 (13.90)	368 (14.49)	383 (15.08)	418 (16.46)	433 (17.05)	464 (18.27)	506 (19.92)	563 (22.17)	590 (23.23)	632 (24.89)	648 (25.52)	742 (29.22)
W	390 (15.36)	390 (15.36)	390 (15.36)	390 (15.36)	390 (15.36)	390 (15.36)	390 (15.36)	390 (15.36)	390 (15.36)	390 (15.36)	390 (15.36)	460 (18.11)	460 (18.11)	460 (18.11)	460 (18.11)
P	353 (13.90)	353 (13.90)	353 (13.90)	353 (13.90)	353 (13.90)	353 (13.90)	353 (13.90)	353 (13.90)	353 (13.90)	353 (13.90)	353 (13.90)	393 (15.47)	393 (15.47)	393 (15.47)	393 (15.47)

WORKING PRESSURE VS TEMPERATURE

