

Rotary Damper (Pneumatic Actuated Type TA)40mm - 600mm(1 1/2 inch - 24 inch)

Type57:40mm-350mm(1 1/2 inch-14 inch), Type56:400mm(16 inch), Type75:450-600mm(18 inch-24 inch)

Body Material
 PVC
 PP
 PVDF

Seat & O-ring Material
 EPDM
 FKM

Connection Standard
 JIS 10K · JIS 5K
 ANSI CLASS 150
 DIN PN10

Action
 Double Acting
 Air to Open
 Air to Close

Equipment
 · Opening Adjustment
 Stopper (± 5 degree)
 · Indicator
 · Speed Controller

Option
 · Filter Regulator
 · Solenoid Valve
 ※ with built-in specialized speed controller and bypass valve.
 · Limit Switch
 · Manual Operation Mechanism
 ※ Only for air to open & close.
 · Full Opening Adjustment Mechanism
 · Positioner



FEATURES

- Horizontal Type Actuator saves Piping Space.
- Spring unit for Air to Open & Close is detachable so Change-Over between Double-Acting and Air to Open & Close can be done easily.
- Various Options can be easily installed or removed, and can be mounted later (except positioners).
- Stopper enables Adjustment of ±5 degree at fully-Opened or Fully-Closed position.

OPTIONAL EQUIPMENT

Combination No.	1	2	3	4	5	6	7	8	9
Solenoid Valve ※	○	—	—	○	○	—	○	—	—
Filter Regulator	—	—	—	○	—	—	○	—	○
Speed Controller	◎	○	—	◎	◎	○	◎	—	—
Limit Switch	—	—	○	—	○	○	○	—	—
Positioner (Electric-Air, Air-Air)	—	—	—	—	—	—	—	○	○

◎Indicates specialized for Solenoid Valve.
 ※With built-in speed controller and bypass valve.

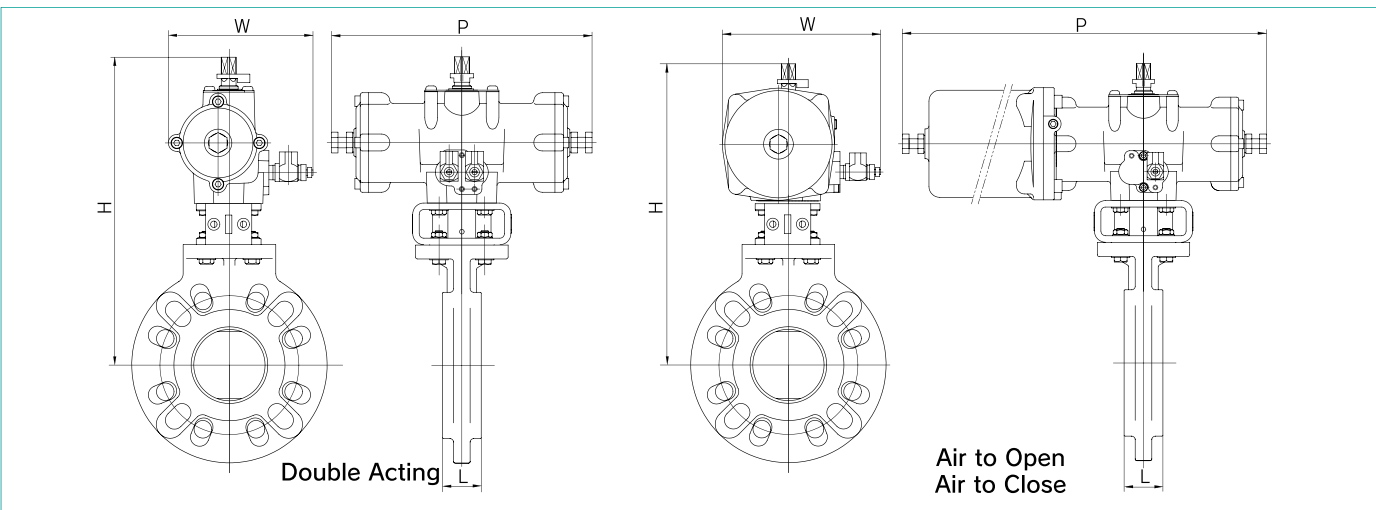
ACTUATOR SPECIFICATION [Double Acting]

Nominal Size mm(inch)	40~100(1 1/2~4inch)	125-150(5inch-6inch)	200-300(8inch-12inch)	350(14inch)	400-600(16inch-24inch)
Actuator Type	TA2A-050D	TA2A-080D	TA2A-100D	TA2A-125D	TA2A-160D
Operating Pressure Mpa[kgf/cm ²]	0.4{4.1} - 0.7{7.1}				
Air Consumption NI /open & close (at operating pressure 0.4NPa)	0.9	3.2	6.6	13.3	27.1
Air Supply Bore	Rc 1/4				

ACTUATOR SPECIFICATION [Air to Open, Air to Close]

Nominal Size mm(inch)	40~100(1 1/2~4inch)	125-150(5inch-6inch)	200-300(8inch-12inch)	350(14inch)	400-600(16inch-24inch)
Actuator Type	TA2A-050R	TA2A-080R	TA2A-100R2	TA2A-125R2	TA2A-160R2
Operating Pressure Mpa[kgf/cm ²]	0.4{4.1} - 0.7{7.1}				
Air Consumption NI /open & close (at operating pressure 0.4NPa)	1.7	6.1	12.8	21.6	42.7
Air Supply Bore	Rc 1/4				

DIMENSIONS FIGURE



DIMENSIONS TABLE

JIS, ANSI, DIN		Unit:mm(inch)														
Nominal Size		40 (1 1/2)	50 (2)	65 (2 1/2)	80 (3)	100 (4)	125 (5)	150 (6)	200 (8)	250 (10)	300 (12)	350 (14)	400 (16)	450 (18)	500 (20)	600 (24)
L	PVC,PP	32(1.26)	35(1.38)	37(1.46)	37(1.46)	47(1.85)	57(2.24)	62(2.44)	76(2.99)	96(3.78)	116(4.57)	116(4.57)	157(6.18)	167(6.57)	177(6.97)	197(7.76)
	PVDF	32(1.26)	35(1.38)	37(1.46)	37(1.46)	47(1.85)	57(2.24)	62(2.44)	82(3.23)	96(3.78)	116(4.57)	116(4.57)	153(6.02)	167(6.57)	177(6.97)	197(7.76)
H	PVC,PP	270(10.63)	280(11.02)	290(11.42)	306(12.05)	321(12.64)	395(15.55)	410(16.14)	470(18.50)	503(19.83)	570(22.47)	603(23.77)	693(27.28)	701(27.60)	710(27.60)	766(30.16)
	PVDF	283(11.14)	293(11.54)	303(11.93)	318(12.52)	333(13.11)	402(15.83)	417(16.42)	448(17.64)	508(20.02)	580(22.86)	614(24.20)	709(27.91)	680(26.77)	709(27.91)	772(30.39)
Double acting	W	130(5.12)	130(5.12)	130(5.12)	130(5.12)	130(5.12)	164(6.46)	164(6.46)	191(7.52)	191(7.53)	191(7.53)	198(7.80)	229(9.02)	229(9.02)	229(9.02)	229(9.02)
	P	210(8.27)	210(8.27)	210(8.27)	210(8.27)	210(8.27)	292(11.50)	292(11.50)	362(14.25)	362(14.27)	362(14.27)	440(17.34)	532(20.94)	532(20.94)	532(20.94)	532(20.94)
Air to Open, Air to Close	W	151(5.94)	151(5.94)	151(5.94)	151(5.94)	151(5.94)	192(7.56)	192(7.56)	222(8.74)	222(8.75)	222(8.75)	241(9.50)	279(10.98)	279(10.98)	279(10.98)	279(10.98)
	P	345(13.58)	345(13.58)	345(13.58)	345(13.58)	345(13.58)	487(19.17)	487(19.17)	598(23.54)	598(23.57)	598(23.57)	752(29.64)	924(36.38)	924(36.38)	924(36.38)	924(36.38)

WORKING PRESSURE VS. TEMPERATURE

