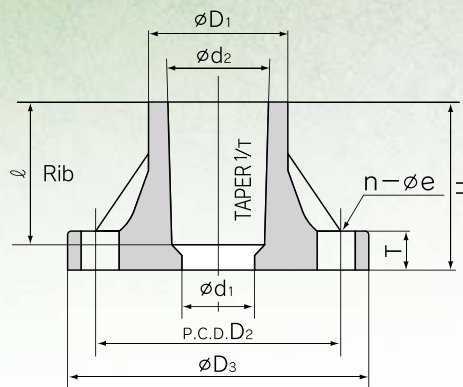


# AV FLANGE

## ● TS FLANGES(PVC,HI-PVC,C-PVC)



### DIMENSIONS TABLE

Nominal Size		PVC		JIS 10K 13mm - 350mm( <sup>3</sup> / <sub>8</sub> inch - 14inch)				JIS 5K 13mm - 350mm( <sup>3</sup> / <sub>8</sub> inch - 14inch)				HI-PVC				JIS 10K 13mm - 300mm( <sup>3</sup> / <sub>8</sub> inch - 12inch)				JIS 5K 13mm - 150mm( <sup>3</sup> / <sub>8</sub> inch - 6inch)			
JIS		Unit:mm																					
mm	inch	d <sub>1</sub>	d <sub>2</sub>		Taper 1/T		ℓ		D <sub>1</sub>		D <sub>2</sub>		D <sub>3</sub>		n		e		T		H		
			10K	5K	10K	5K	10K	5K	10K	5K	10K	5K	10K	5K	10K	5K	10K	5K	10K	5K	10K	5K	
13	<sup>3</sup> / <sub>8</sub>	15	18.40		1/30		26	25.5	24	65	55	90	75	4	4	15	12	14	9	30	30		
15	<sup>1</sup> / <sub>2</sub>	18	22.40		1/34		30	31	29	70	60	95	80	4	4	15	12	14	9	35	35		
20	<sup>3</sup> / <sub>4</sub>	22	26.45		1/34		35	35	33	75	65	100	85	4	4	15	12	15	10	40	40		
25	1	25	32.55		1/34		40	42.5	40	90	75	125	95	4	4	19	12	15	10	46	45		
32	<sup>1</sup> / <sub>4</sub>	30	38.60		1/34		44	48.5	46	100	90	135	115	4	4	19	15	16	12	50.5	50		
40	<sup>1</sup> / <sub>2</sub>	41	48.70		1/37		55	60.5	59	105	95	140	120	4	4	19	15	16	12	61.5	61		
50	2	52	60.80		1/37		63	73	70	120	105	155	130	4	4	19	15	20	14	71	72		
65	<sup>2</sup> / <sub>1</sub>	67	76.60	76.80	1/48	1/41	61	69	90	86	140	130	175	155	4	4	19	15	22	14	70	76	
80	3	78	89.60	89.80	1/49	1/43	64	72	105	101	150	145	185	180	8	4	19	19	22	14	73	80	
100	4	100	114.70	115.00	1/56	1/44	84	92	131	129	175	165	210	200	8	8	19	19	22	16	93	105	
125	5	125	140.85	141.20	1/58	1/45	104	112	158	156	210	200	250	235	8	8	23	19	24	16	114	126	
150	6	146	166.00	166.50	1/63	1/45	132	140	185	185	240	230	280	265	8	8	23	19	26	18	142	150	
200	8	196	217.00		1/50		145	238	238	290	280	330	320	12	8	23	23	28	28	156	156		
250	10	247	268.00		1/55		155	289	289	355	345	400	385	12	12	25	23	30	30	167	167		
300	12	298	318.70		1/55		155	341	341	400	390	445	430	16	12	25	23	30	30	167	167		
350	14	348	371.00		1/60		230	398	398	445	435	490	480	16	12	25	23	34	34	300	300		

Note : Dimensions shown as D<sub>2</sub>,D<sub>3</sub>,n,e are accordance with JIS 10K and JIS 5K.  
 Dimeter sizes of bolt holes for 5K 300mm(12inch)are different from JIS 5K.

Nominal Size		C-PVC JIS 10K 13mm - 150mm( <sup>3</sup> / <sub>8</sub> inch - 6inch), JIS 5K 13mm - 65mm( <sup>3</sup> / <sub>8</sub> inch - 2 <sup>1</sup> / <sub>2</sub> inch)																	
JIS		Unit:mm																	
mm	inch	d <sub>1</sub>	d <sub>2</sub>	Taper 1/T	ℓ	D <sub>1</sub>		D <sub>2</sub>		D <sub>3</sub>		n		e		T		H	
						10K	5K	10K	5K	10K	5K	10K	5K	10K	5K	10K	5K	10K	5K
13	<sup>3</sup> / <sub>8</sub>	15	18.40	1/30	26	28	24	65	55	90	75	4	4	15	12	14	9	30	30
15	<sup>1</sup> / <sub>2</sub>	18	22.40	1/34	30	33	31	70	60	95	80	4	4	15	12	14	9	35	35
20	<sup>3</sup> / <sub>4</sub>	22	26.45	1/34	35	36	33	75	65	100	85	4	4	15	12	14	10	40	40
25	1	25	32.55	1/34	40	43	43	90	75	125	95	4	4	19	12	16	10	50	45
32	<sup>1</sup> / <sub>4</sub>	30	38.60	1/34	44	51	51	100	90	135	115	4	4	19	15	16	12	50.5	50
40	<sup>1</sup> / <sub>2</sub>	41	48.70	1/37	55	65	65	105	95	140	120	4	4	19	15	16	12	65	61
50	2	52	60.80	1/37	63	76	76	120	105	155	130	4	4	19	15	20	14	74	72
65	<sup>2</sup> / <sub>1</sub>	67	76.80	1/41	69	92	86	140	130	175	155	4	4	19	15	22	14	82	76
80	3	78	89.80	1/43	72	108	—	150	—	185	—	8	—	19	—	22	—	86	—
100	4	100	115.00	1/44	92	138	—	175	—	210	—	8	—	19	—	22	—	105	—
125	5	125	141.20	1/45	112	165	—	210	—	250	—	8	—	23	—	22	—	126	—
150	6	146	166.00	1/63	132	185	—	240	—	280	—	8	—	23	—	26	—	142	—

Note : Dimension shown as D<sub>2</sub>,D<sub>3</sub>,n,e are accordance with JIS 10K and JIS 5K.

AV TS FLANGES PVC ANSI 1/2 inch - 12inch(15mm - 300mm)

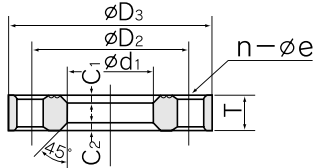
ANSI		Unit:inch										
Nominal Size inch mm	d <sub>1</sub>	d <sub>2</sub>	Taper 1/T	ℓ	D <sub>1</sub>	ANSI CLASS 150				T	H	
						D <sub>2</sub>	D <sub>3</sub>	n	e			
1/2	15	18	22.40	1/34	41	31	60.5	89	4	16	12	46
3/4	20	22	26.45	1/34	48	35	70	98	4	16	13	53
1	25	25	32.55	1/34	40	42.5	79.5	108	4	16	15	50
1 1/4	32	30	38.60	1/34	44	48.5	89	117.5	4	16	16	54
1 1/2	40	41	48.70	1/37	55	60.5	98.5	127	4	16	18	65
2	50	52	60.80	1/37	63	73	120.5	152	4	16	20	74
2 1/2	65	67	76.80	1/41	69	90	139.5	178	4	19	23	82
3	80	78	89.80	1/43	72	105	152.5	190.5	4	19	24	86
4	100	100	115.00	1/44	92	131	190.5	229	8	19	24	107
5	125	125	141.20	1/45	112	158	216	254	8	19	24	130
6	150	146	166.50	1/45	140	185	241.5	280	8	22	26	150
8	200	196	217.00	1/50	145	238	298.5	343	8	22	28	156
10	250	247	267.70	1/55	155	289	362	406	12	25	30	167
12	300	298	318.70	1/55	155	341	432	483	12	25	30	167

Note : Dimension shown as D<sub>2</sub>,D<sub>3</sub>,n,e are accordance with ANSI/ASME B 16.5 CLASS 150.  
Dimension shown as d<sub>1</sub>, R, taper 1/T are accordance with JIS K 6743.

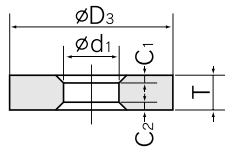
● AV FLANGES(PVC,PP)



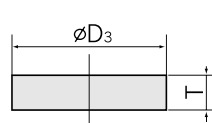
① FLANGES



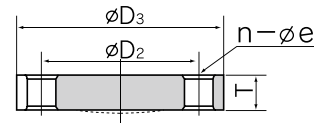
② FLANGES



③ FLANGES



④ FLANGES



Nominal Size 13mm(3/8inch) - 300mm(12inch)

※ The figure described by broken(dashed) line shows shape of Q-flanges applied for dead end service of piping. 15(1/2inch) - 150mm(6inch)

DIMENSIONS TABLE

AV ①, ②, ③, ④, FLANGES		PVC	JIS 10K 13mm - 300mm(3/8inch - 12inch)	JIS 5K 13mm - 300mm(3/8inch - 12inch)	Unit:mm									
Nominal Size mm inch	d <sub>1</sub>	D <sub>2</sub>		D <sub>3</sub>		n		e		T		C <sub>1</sub>	C <sub>2</sub>	
		10K	5K	10K	5K	10K	5K	10K	5K	10K	5K			
13	3/8	18	65	55	90	75	4	4	15	12	12	9	3	3
15	1/2	22	70	60	95	80	4	4	15	12	12	9	3	3
20	3/4	26	75	65	100	85	4	4	15	12	14	10	3	3
25	1	32	90	75	125	95	4	4	19	12	14	10	3	3
32	1 1/4	38	100	90	135	115	4	4	19	15	16	12	3	3
40	1 1/2	48	105	95	140	120	4	4	19	15	16	12	3	3
50	2	60	120	105	155	130	4	4	19	15	16	14	3	4
65	2 1/2	76	140	130	175	155	4	4	19	15	18	14	3	4
80	3	89	150	145	185	180	8	4	19	19	18	14	3	4
100	4	114	175	165	210	200	8	8	19	19	18	16	3	4
125	5	140	210	200	250	235	8	8	23	19	20	16	4	4
150	6	165	240	230	280	265	8	8	23	19	22	18	4	4
200	8	216	290	280	330	320	12	8	23	23	22	20	4	4
250	10	267	355	345	400	385	12	12	25	23	24	22	4	4
300	12	318	400	390	445	430	16	12	25	23	24	22	4	4

Note : Dimension shown as D<sub>2</sub>,D<sub>3</sub>,n,e are accordance with JIS 10K and JIS 5K.

① and ② are welded flanges.

③ and ④ are blind flanges.