

BUTTERFLY VALVE TYPE 57L (Lug Style)

FEATURES

● PDCPD



● PVC



■ Easy Piping Maintenance

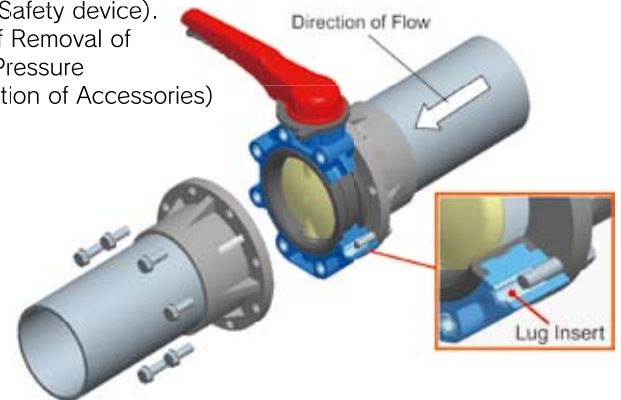
It is not necessary to remove fluid from the pipe line.

■ Strong In Pulsating Pressure

3 Times Stronger than a Major Competitor.

■ Same Features as Type57

- a) Protection for Over-Tightening Constant Stem Torque.
- b) New Designed Disc and Seat (Liner).
 - Longer Life
 - Lower Sealing Torque
 - Higher Cv Value
- c) Plastic Gear Box.
 - Extremely Corrosion Resistant
 - Easy Operation
- d) Stem Retainer (Safety device).
 - Prevention of Removal of Stem under Pressure (Safe Installation of Accessories)



SPECIFICATIONS

- JIS and DIN Standard

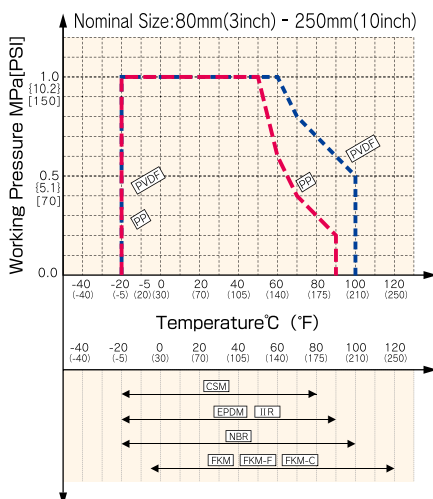
Body material	Standard	Working Temperature °C (°F)	Max. Working Pressure MPa{kgf/cm²}[PSI]	
			80mm - 250mm (3inch - 10inch)	300mm (12inch)
Poly diecyclo penta diene (PDCPD)	JIS, DIN	-5 - 100 (20 - 210)	1.0MPa{10.2kgf/cm²}[150PSI]	

- ANSI Standard

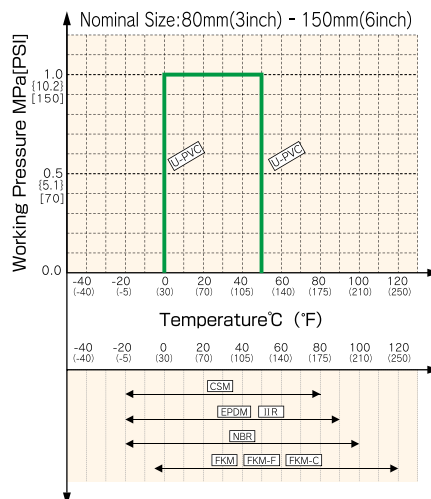
Body material	Standard	Working Temperature °C (°F)	Max. Working Pressure MPa{kgf/cm²}[PSI]	
			125mm - 250mm (3inch - 10inch)	300mm (12inch)
Polyvinyl Chloride (PVC)	ANSI	0 - 50 (30 - 120)	1.0MPa{10.2kgf/cm²}[150PSI]	0.75MPa{7.7kgf/cm²}[110PSI]

WORKING PRESSURE VS. TEMPERATURE

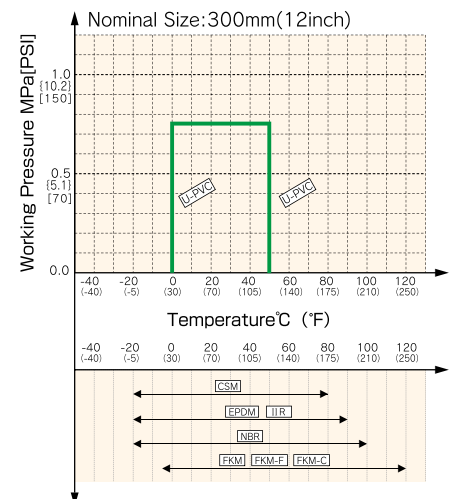
LUG-BUTTERFLY VALVE TYPE57L(WAFER)



LUG-BUTTERFLY VALVE TYPE57L(WAFER)



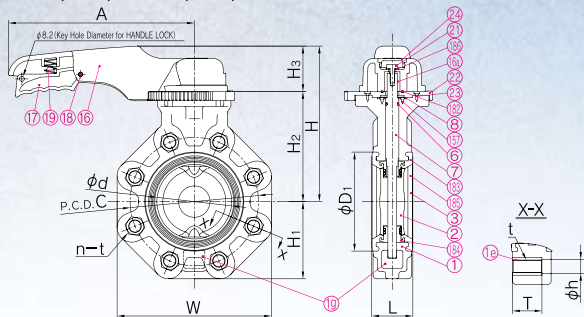
LUG-BUTTERFLY VALVE TYPE57L(WAFER)



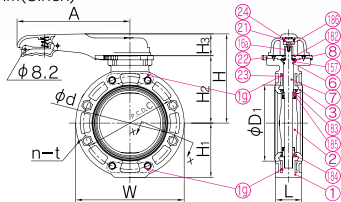
Lever Type

DIMENSION

●80mm(3inch) - 150mm(6inch)



●200mm(8inch)



DIMENSIONS TABLE

Unit:mm

Nominal Size	d	JIS 10K	D ₁	L	H	H ₁	H ₂	H ₃	A	W	T	t
mm	inch	C n h										
80	3	77 150 8 19	105	46	191	94	135	56	250	193	40	M16x40 width across fat 24
100	4	102 175 8 19	134	56	206	105	150	56	250	217	40	M16x40 width across fat 24
125	5	129 210 8 23	169	66	237	124	168	69	320	247	50	M20x50 width across fat 30
150	6	150 240 8 23	190	71	252	138	183	69	320	285	50	M20x50 width across fat 30
200	8	195 290 12 23	242	87	283	173	214	69	400	345	60	M20x60 width across fat 30

Unit:mm

Nominal Size	d	DIN PN10	D ₁	L	H	H ₁	H ₂	H ₃	A	W	T	t
mm	inch	C n h										
80	3	77 160 8 18	105	46	191	94	135	56	250	193	40	M16x40 width across fat 24
100	4	102 180 8 18	134	56	206	105	150	56	250	217	40	M16x40 width across fat 24
125	5	129 210 8 18	169	66	237	124	168	69	320	247	50	M20x50 width across fat 30
150	6	150 240 8 23	190	71	252	138	183	69	320	285	50	M20x50 width across fat 30
200	8	195 295 8 23	242	87	283	173	214	69	400	345	60	M20x50 width across fat 30

Unit:inch

Nominal Size	d	ANSI 150lb	D	D ₁	L	H	H ₁	H ₂	H ₃	A	W	T	t
mm	inch	C n h											
150	6	5.91 9.50 8 0.87	10.63	7.48	2.80	9.92	5.55	7.20	2.72	12.60	10.67	1.97	3/4-10 UNC
200	8	7.68 11.75 8 0.87	12.60	9.53	3.43	11.14	6.61	8.43	2.72	15.75	12.76	2.26	3/4-10 UNC

Note : The shape and appearance of assembly differ a little with nominal size compared to this drawing.

PARTS & MATERIALS

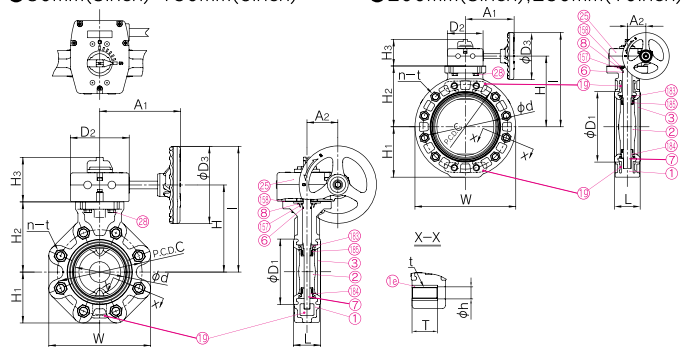
No.	DESCRIPTION	Pcs.	MATERIAL	REMARKS	No.	DESCRIPTION	Pcs.	MATERIAL	REMARKS
①	BODY	1	PDCPD		⑰	HANDLE LEVER	1	PPG	
⑱	LUG-INSERT	8	STAINLESS STEEL(SUS304)	used for 80-150mm	⑱	PIN	1	PPG	
		4	(Antiscoring coat)	used for 200mm	⑲	SPRING	1	STAINLESS STEEL(SUS304)	
⑳	BODY-INSERT	1	STAINLESS STEEL(SUS304)	used for 125,150mm	㉑	BOLT(B)	1	STAINLESS STEEL(SUS304)	
		2	STAINLESS STEEL(SCS13)	used for 200mm	㉒	LOCKING PLATE	1	PPG	
②	DISC	1	PP,PVDF		㉓	SCREW(B)	4	STAINLESS STEEL(SUS304)	
③	SEAT	1			㉔	CAP(A)	1	PP	
④	O-RING(C)	1	EPDM,FKM,FKM-F,FKM-C		㉕	SCREW(F)	4	STAINLESS STEEL(SUS304)	
⑤	O-RING(I)	1			㉖	O-RING(H)	1	EPDM	
⑦	STEM	1	STAINLESS STEEL(SUS403)		㉗	SEAT BUSH(A)	1		
⑧	STEM HOLDER(A)	1	PP		㉘	SEAT BUSH(B)	1	PP,PVDF	
⑯	HANDLE(A)	1	PP		㉙	RUBBER+WASHER	1	STAINLESS STEEL(SUS304)+EPDM	
㉚	HANDLE INSERTED METAL	1	STAINLESS STEEL(SUS316L)						

Gear Type

DIMENSION

●80mm(3inch) - 150mm(6inch)

●200mm(8inch), 250mm(10inch)



DIMENSIONS TABLE

Nominal Size	d	JIS 10K	D ₁	D ₂	D ₃	L	H	H ₁	H ₂	H ₃	I	A ₁	A ₂	W	T	t	Number of handle wheel rotation	GEAR BOX TYPE
mm	inch	C n h																
80	3	77 150 8 19	105	122	160	46	165	94	130	92	245	167	64	193	40	M16x40 width across fat 24	9.5	TYPE1
100	4	102 175 8 19	134	122	160	56	180	105	145	92	260	167	64	217	40	M16x40 width across fat 24		
125	5	129 210 8 23	169	122	160	66	195	124	160	92	275	167	64	247	50	M20x50 width across fat 30		
150	6	150 240 8 23	190	122	160	71	210	138	175	92	290	167	64	285	50	M20x50 width across fat 30		
200	8	195 295 12 23	242	122	160	87	241	173	206	92	321	167	64	345	60	M20x60 width across fat 30		
250	10	250 350 12 25	302	122	160	112	276	208	241	92	356	167	64	415	70	M20x70 width across fat 32		

Nominal Size	d	DIN PN10	D ₁	D ₂	D ₃	L	H	H ₁	H ₂	H ₃	I	A ₁	A ₂	W	T	t	Number of handle wheel rotation	GEAR BOX TYPE
mm	inch	C n h																
80	3	77 160 8 18	105	122	160	46	165	94	130	92	245	167	64	193	40	M16x40 width across fat 24	9.5	TYPE1
100	4	102 180 8 18	134	122	160	56	180	105	145	92	260	167	64	217	40	M16x40 width across fat 24		
125	5	129 210 8 18	169	122	160	66	195	124	160	92	275	167	64	247	50	M16x50 width across fat 24		
150	6	150 240 8 23	190	122	160	71	210	138	175	92	290	167	64	285	50	M20x50 width across fat 30		
200	8	195 295 8 23	242	122	160	87	241	173	206	92	321	167	64	345	60	M20x60 width across fat 30		
250	10	250 350 12 23	302	122	160	112	276	208	241	92	356	167	64	415	70	M20x70 width across fat 30		

PARTS & MATERIALS

No.	DESCRIPTION	Pcs.	MATERIAL	REMARKS
①	BODY	1	PDCPD,PVC	
⑱	LUG-INSERT	8	STAINLESS STEEL(SUS304)	used for 80-150,250mm
		4	(Antiscoring coat)	used for 200mm
⑳	BODY-INSERT	1	STAINLESS STEEL(SUS304)	used for 125,150mm
		2	STAINLESS STEEL(SCS13)	used for 200,250mm
②	DISC	1	PP,PVDF	
③	SEAT	1		
④	O-RING(C)	1	EPDM,FKM,FKM-F,FKM-C	
⑤	O-RING(I)	1		
⑦	STEM	1	STAINLESS STEEL(SUS403)	
⑧	STEM HOLDER(A)	1	PP	
㉑	GEAR BOX	1	PLASTIC etc.	
㉒	BOLT(C)	4	STAINLESS STEEL(SUS403)	
㉓	SCREW(F)	4	STAINLESS STEEL(SUS403)	
㉔	GASKET(L)	1	EPDM	
㉕	SEAT BUSH(A)	1	PP,PVDF	
㉖	SEAT BUSH(B)	1		

Nominal Size	d	ANSI 150lb	D	D ₁	D ₂	D ₃	L	H	H ₁	H ₂	H ₃	I	A ₁	A ₂	W	T	t	Number of handle wheel rotation	GEAR BOX TYPE
mm	inch	C n h																	
150	6	5.91 9.50 8 0.87	10.63	7.48	4.80	6.30	2.80	8.27	5.55	6.89	3.62	11.42	6.57	2.52	10.67	1.97	3/4-10 UNC	9.5	TYPE1
200	8	7.68 11.75 8 0.87	12.60	9.53	4.80	6.30	3.43	9.49	6.61	8.11	3.62	12.64	6.57	2.52	12.76	2.26	3/4-10 UNC		
250	10	9.84 14.25 12 0.98	15.75	11.89	4.80	6.30	4.41	10.87	7.95	9.49	3.62	14.02	6.57	2.52	15.91	2.52	7/8-9 UNC		
300	12	11.93 17.01 12 0.98	18.31	14.17	7.40	11.81	5.08	13.39	9.29	11.73	4.52	19.29	9.53	3.00	18.54	2.52	7/8-9 UNC		

NOTE. The shape and appearance of assembly differ a little with nominal size compared to this drawing.