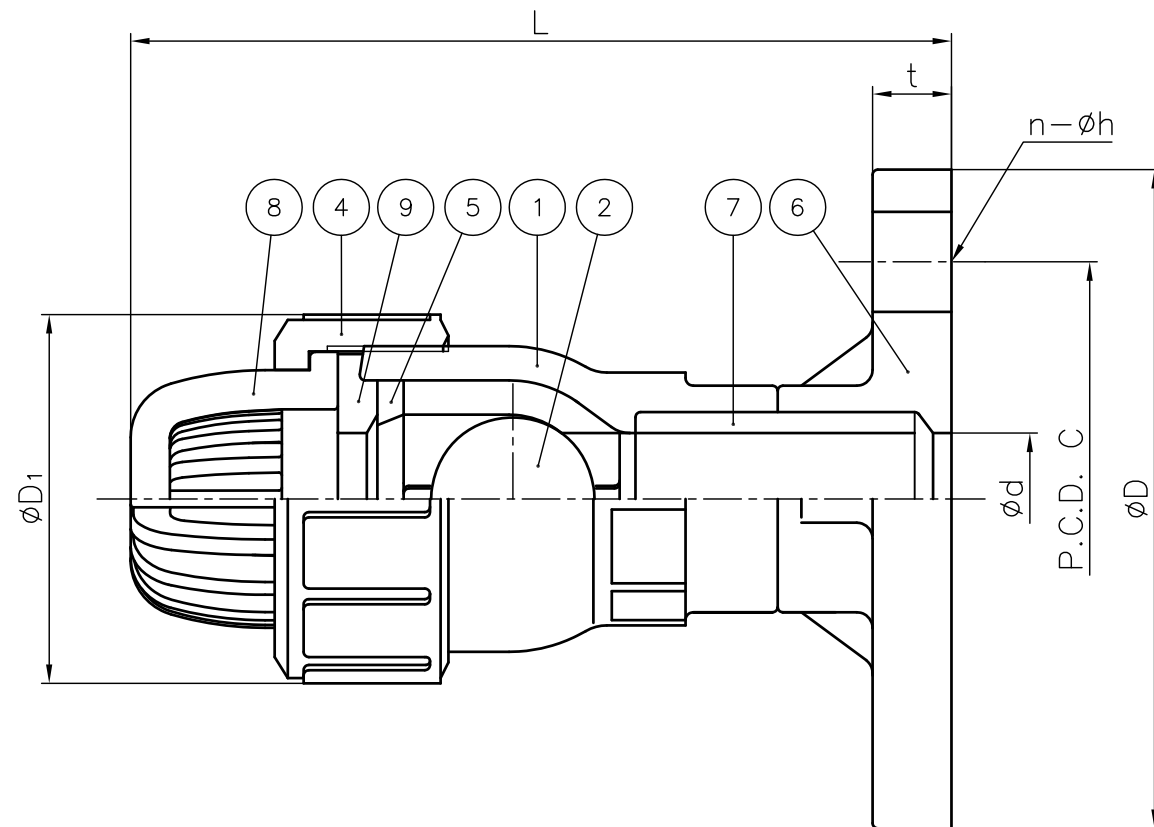
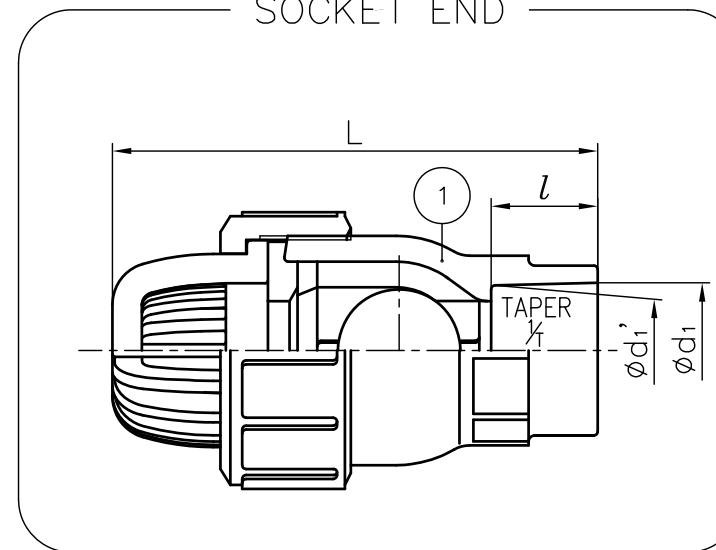


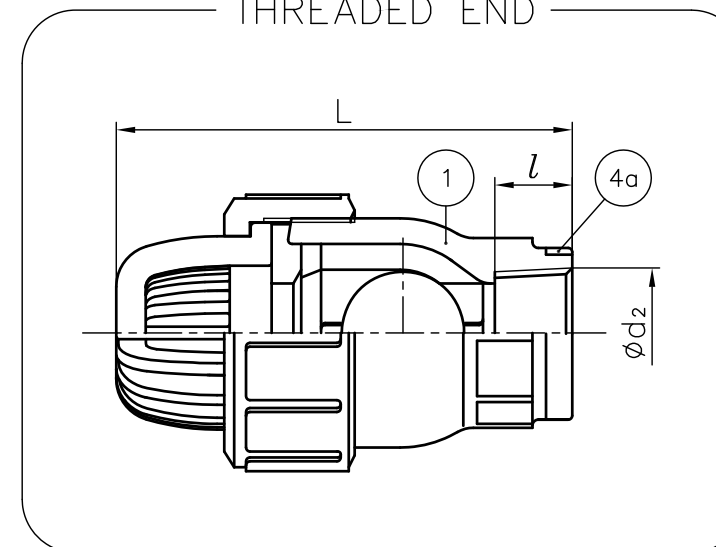
FLANGED END



SOCKET END



THREADED END



DIMENSIONS TABLE

UNIT : mm

NOMINAL SIZE	D ₁	FLANGED END												SOCKET END								THREADED END			
		JIS 5K					JIS 10K					L		PVC, C-PVC				PP				L			
		D	C	n	h	t	D	C	n	h	t	PVC	C-PVC	d ₁	l	1/T	L	d ₁	d ₁ '	l	L	d ₂	l	PVC C-PVC	PVDF PP
15 ^{mm} 1/2"	48	80	60	4	12	95	70	4	15	130	130	18	14	22.11	20	1/34	95	21.2	20.2	22	97	Rc1/2	15	90	88
20 3/4"	60	85	65	4	12	100	75	4	15	150	150	22	15	26.13	24	1/34	110	26.2	25.2	23	108	Rc3/4	17	103	101
25 1"	70	95	75	4	12	125	90	4	19	167	171	25	15	32.16	27	1/34	121	33.0	32.0	25	118	Rc1	20	114	111
40 1 1/2"	96	120	95	4	15	140	105	4	19	246	250	41	16	48.21	37	1/37	184	47.0	46.0	28	174	Rc1 1/2	25	172	169
50 2"	106	130	105	4	15	155	120	4	19	274	277	52	20	60.25	42	1/37	203	59.0	58.0	28	188	Rc2	28	189	185
80 3"	152	180	145	4	19	185	150	8	19	396	409	78	22	89.60	64	1/49	323	88.0	86.0	35	293	Rc3	35	294	289
100 4"	210	200	165	8	19	210	175	8	19	506	518	100	22	114.70	84	1/56	413	113.0	111.0	45	372	Rc4	45	374	367

NOTE. The shape and appearance of assembly differ a little with nominal size compared to this drawing.

No.	DESCRIPTION	QTY.	MATERIAL	REMARKS
4a	RING 1)	1	STAINLESS STEEL (SUS304)	1) Used for C-PVC Body. Threaded End: 15~25mm
9	SEAT	1	□EPDM □FKM □Others ()	2) Used for Flanged End.
8	SCREEN	1	FLANGED END □PVC □C-PVC	
7	PIPE 2)	1	□PVC □C-PVC	
6	FLANGE 2)	1	SOCKET END □PVC □C-PVC □PP	
5	STOP RING (A)	1	□PVC □C-PVC □PP	
4	UNION NUT	1	THREADED END □PVC □C-PVC □PP □PVDF	
2	BALL	1	□PVC □C-PVC □PP □PVDF	
1	BODY	1	□PVC □C-PVC □PP □PVDF	

ITEM	BALL FOOT VALVE ASS'Y JIS : FLANGED END (□JIS 5K, □JIS 10K) □SOCKET END, □THREADED END 15 ^{mm} (1/2") ~ 100 ^{mm} (4")		
DRAWN	M.Oosako	DATE	SCALE
CHECKED	H.Kawano	DEC.20.2011	~
APPROVED	Y.Ozaki	DRAWING No. FT-60003JE	
SPECIAL ORDER No.	ASAHI YUKIZAI CORPORATION		