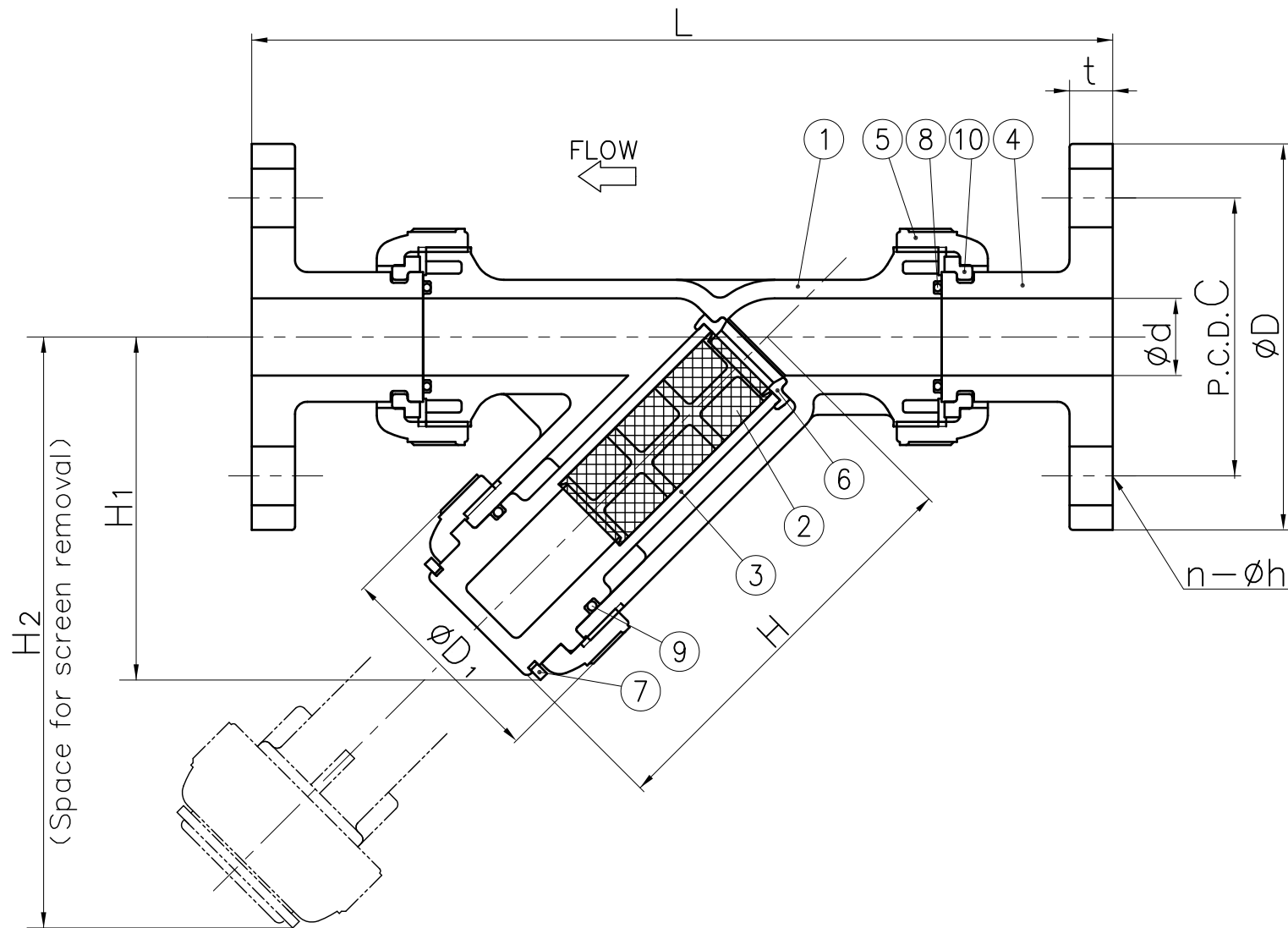


FLANGED END



DIMENSIONS TABLE

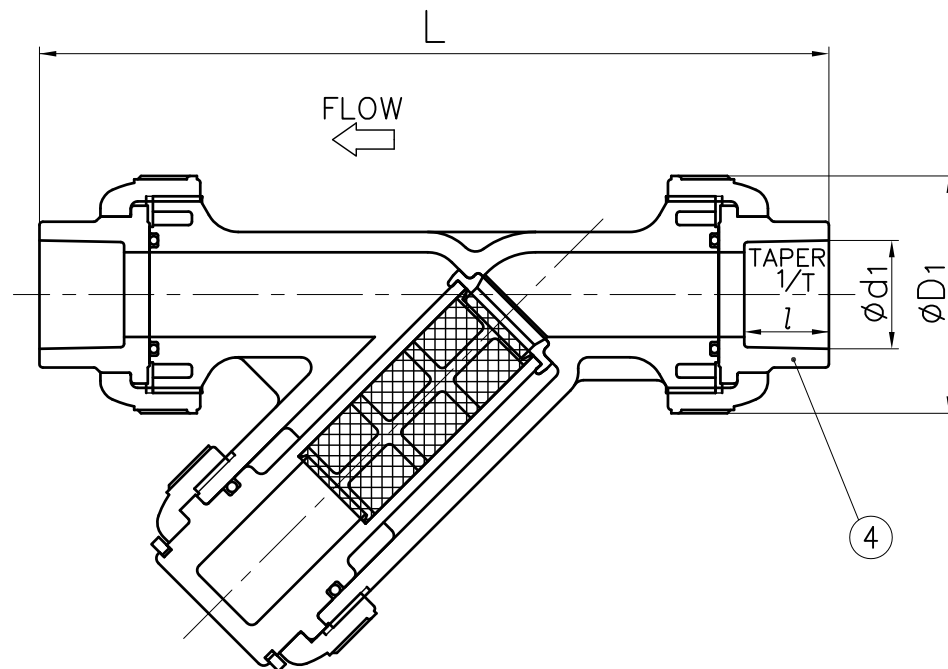
NOMINAL SIZE	FLANGED END										d	D <sub>1</sub>	H	H <sub>1</sub>	H <sub>2</sub>
	JIS 5K					JIS 10K									
	D	C	n	h	L	t	D	C	n	h					
15 <sup>mm</sup> 1/2"	80	60	4	12	95	70	4	15	206	12	15	48	97	78	134
20 3/4	85	65	4	12	100	75	4	15	254	14	20	60	120	98	168
25 1	95	75	4	12	125	90	4	19	280	14	25	70	133	111	189
32 1 1/4	120	90	4	15	135	100	4	19	336	16	40	100	177	149	256
40 1 1/2	115	95	4	15	140	105	4	19	336	16	40	100	177	149	256
50 2	130	105	4	15	155	120	4	19	361	16	51	106	190	160	277
65 2 1/2	155	130	4	19	175	140	4	19	477	18	78	152	271	234	399
80 3	180	145	4	19	185	150	8	19	477	18	78	152	271	234	399
100 4	200	165	8	19	210	175	8	19	608	18	100	210	361	316	537

UNIT: mm

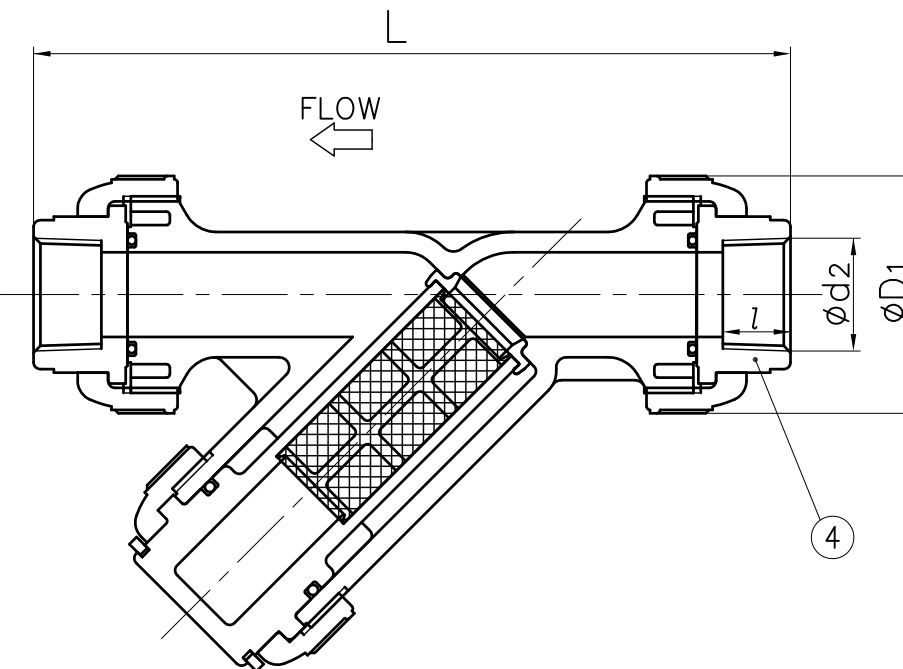
NOMINAL SIZE	SOCKET END				THREADED END		
	d <sub>1</sub>	l	1/T	L	d <sub>2</sub>	l	L
15 <sup>mm</sup> 1/2"	22.11	20	1/34	172	Rc 1/2	15	165
20 3/4	26.13	24	1/34	210	Rc 3/4	17	202
25 1	32.16	27	1/34	238	Rc 1	20	224
32 1 1/4	38.19	30	1/34	298	Rc 1 1/4	22	287
40 1 1/2	48.21	37	1/37	313	Rc 1 1/2	25	287
50 2	60.25	42	1/37	346	Rc 2	28	324
65 2 1/2	76.60	61	1/48	487	Rc 2 1/2	32	436
80 3	89.60	64	1/49	487	Rc 3	35	436
100 4	114.70	84	1/56	653	Rc 4	45	596

NOTE. The shape and appearance of assembly differ a little with nominal size compared to this drawing.

SOCKET END



THREADED END



10	STOP RING	2	PVDF	used for Flanged end
9	O-RING (B)	1	<input type="checkbox"/> EPDM <input type="checkbox"/> FKM	
8	O-RING (A)	2	<input type="checkbox"/> others( )	
7	SPLIT RING	1	PVC	1) Transparent 2) <input type="checkbox"/> 40 Mesh (Standard) <input type="checkbox"/> 30 Mesh (Request) <input type="checkbox"/> 20 Mesh (Request) <input type="checkbox"/> 60 Mesh (Request) IN CASE OF 60 mesh: PVC (20 mesh )+PVDC (60mesh )
6	SCREEN HOLDER	1		
5	UNION NUT	3		
4	END CONNECTOR	2		
3	SCREEN SUPPORT	1		
2	FILTER SCREEN <sup>2)</sup>	1		
1	BODY <sup>1)</sup>	1		
No.	DESCRIPTION	No. REQ'd	MATERIAL	REMARKS

SEDIMENT STRAINERS ASS'Y  
JIS : FLANGED END (  JIS 5K,  JIS 10K ),  
 SOCKET END,  THREADED END  
15 mm ( 1/2 " ) ~ 100 mm ( 4 " )

DRAWN	S.Yamashita	DATE	SCALE
CHECKED	T.Iwamoto	SEP.29.2009	~
APPROVED	Y.Ozaki	DRAWING No. YS-60003JE 3	
SPECIAL ORDER No.	ASAHI YUKIZAI CORPORATION		