

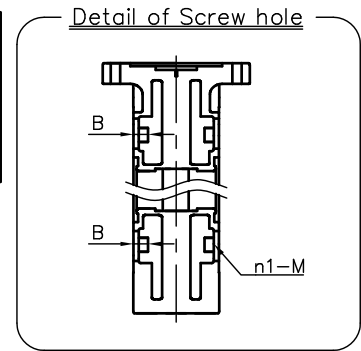
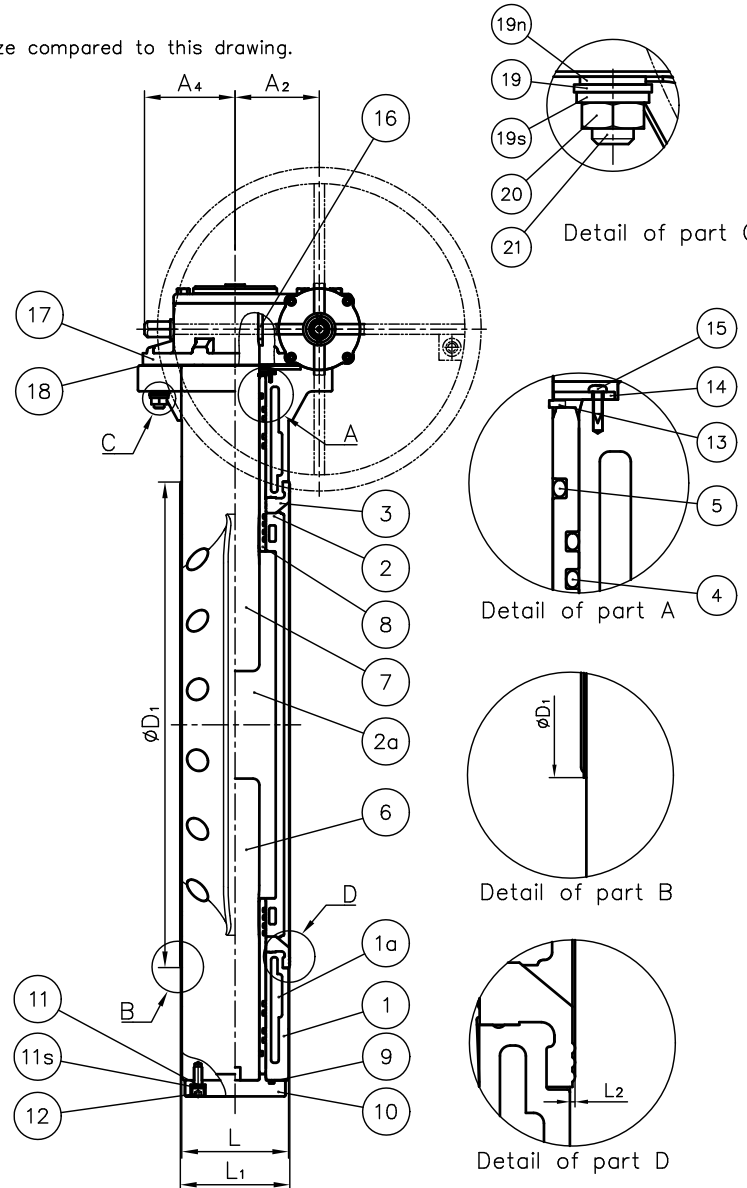
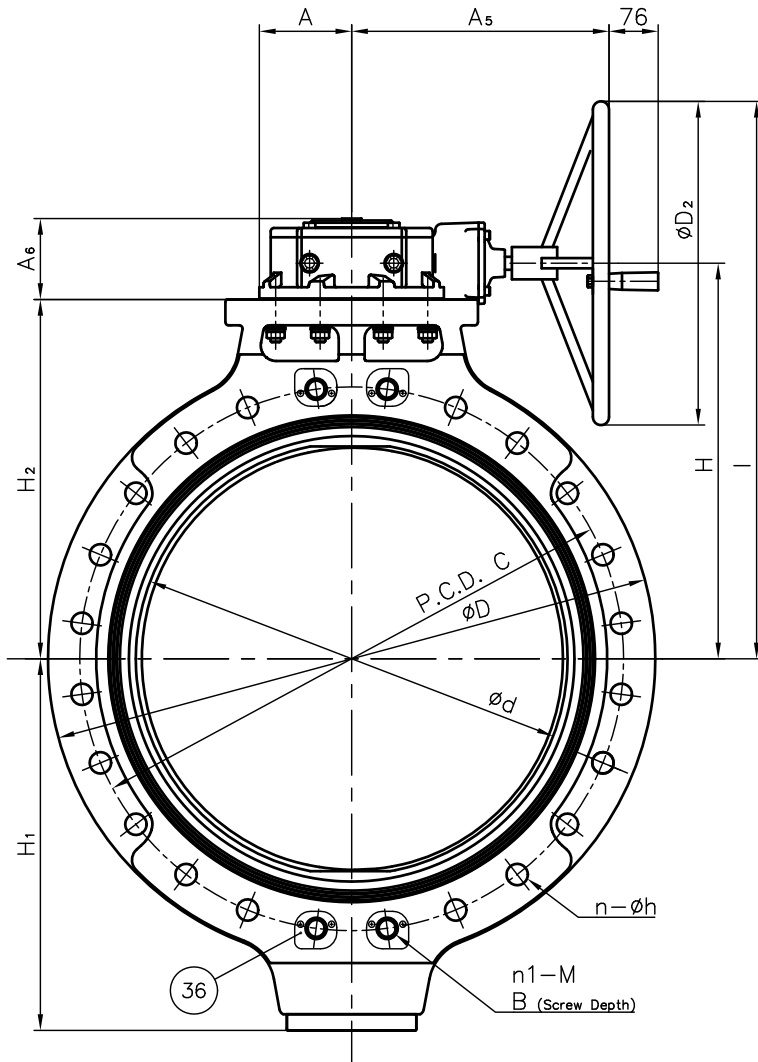
DIMENSION TABLE

UNIT: mm

NOMINAL SIZE	d	JIS 10K						M	B	D	D ₁	D ₂	L	L ₁	L ₂	H	I	H ₁	H ₂	A	A ₂	A ₄	A ₅	A ₆	Number of handle rotation	GEAR BOX Model No.	
		C	h	N (Number of Bolt Holes)	n (Through hole)	n1 (Screw hole)																					
						/side	/total																				
700mm	28"	670	840	33	24	20	4	8	M30	28	938	750	500	165	169	2	611	861	574	555	142.5	130	140	397.5	125	55	AB1950N PR4
800	32	778	950	33	28	24	4	8	M30	30	1060	869	600	190	198	4	683	983	639	620	146.5	140	153	430	134	87	AB3000N PR6
900	36	888	1050	33	28	24	4	8	M30	30	1178	979	600	203	211	4	768	1068	724	705	146.5	140	153	430	134	87	AB3000N PR6

NOTE.

- Dimensions "L" is equivalent to ISO5752 flangeless (wafer) short.
- The shape and appearance of assembly differ a little with nominal size compared to this drawing.



36	COVER PLATE	8	ABS	
21	BOLT (B)	8	STAINLESS STEEL (SUS304)	Attachment : Collar
20	NUT	8	STAINLESS STEEL (SUS304)	
19s	SPRING WASHER	8	STAINLESS STEEL (SUS304)	
19	WASHER (B)	8	STAINLESS STEEL (SUS304)	
19n	NORD-LOCK WASHER	8	STAINLESS STEEL (SUS316L)	
17	GEAR BOX	1	CAST IRON (FC250) etc.	Polyurethane Coat. (ROTORK)
16	KEY	1	CARBON STEEL (S45C)	
15	SCREW	4	STAINLESS STEEL (SUS304)	
14	STEM HOLDER (A)	1	ABS	
13	RETAINING RING C-TYPE	1	STAINLESS STEEL (SUS304)	
12	BOLT (A)	4	STAINLESS STEEL (SUS304)	Used for Size 700mm
		8		Used for Size 800,900mm
11s	SPRING WASHER (No.11)	4	STAINLESS STEEL (SUS304)	Used for Size 700mm
		8		Used for Size 800,900mm
11	WASHER (A)	4	STAINLESS STEEL (SUS304)	Used for Size 700mm
		8		Used for Size 800,900mm
10	STEM HOLDER (B)	1	ABS	
7	STEM (A)	1		
6	STEM (B)	1	STAINLESS STEEL (SUS316)	
18	GASKET	1	EPDM	
9	O-RING (C)	1		
5	O-RING (B)	2		
4	O-RING (A)	16	<input type="checkbox"/> EPDM	Used for Size 700mm
		14	<input type="checkbox"/> FKM	Used for Size 800,900mm
3	SEAT	1		
2a	INSERTED METAL OF DISC	1	AC4C	
8	BUSH	2	<input type="checkbox"/> PP	
		1	<input type="checkbox"/> PVDF	
2	DISC	1		
1a	INSERTED METAL OF BODY	2	STEEL CASTING STAINLESS (SCS13)	
1	BODY	1	PDCPD	

No.	DESCRIPTION	QTY.	MATERIAL	REMARKS
ITEM	BUTTERFLY VALVE (TYPE58) ASS'Y SIDE GEAR TYPE : JIS 10K 700mm (28") ~900mm (36")			
DRAWN	H.Kawano	DATE	SCALE	
CHECKED	Y.Yoneda	MAR.10.2023		
APPROVED	K.Kaushou	DRAWING No.		
SPECIAL ORDER No.	58-M1001JE			
ASAHI YUKIZAI CORPORATION				