

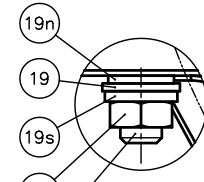
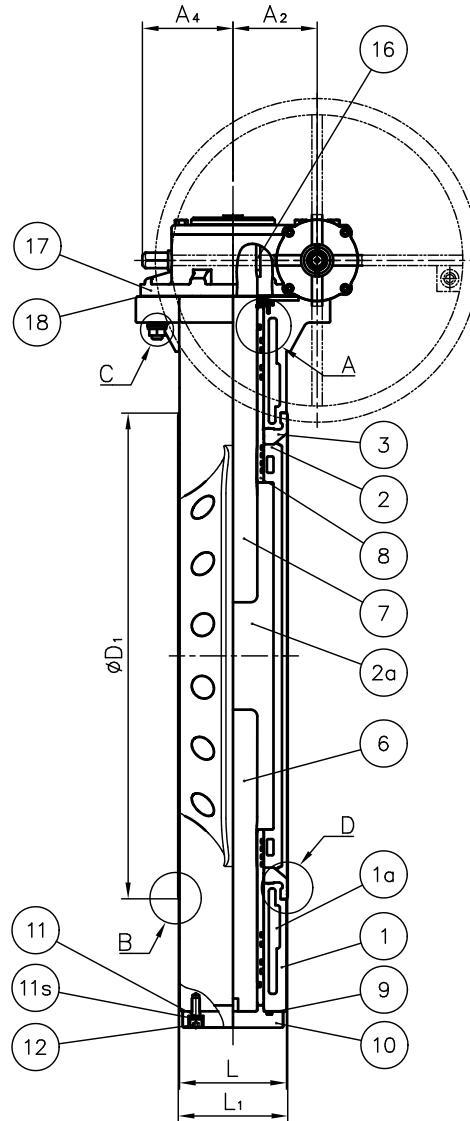
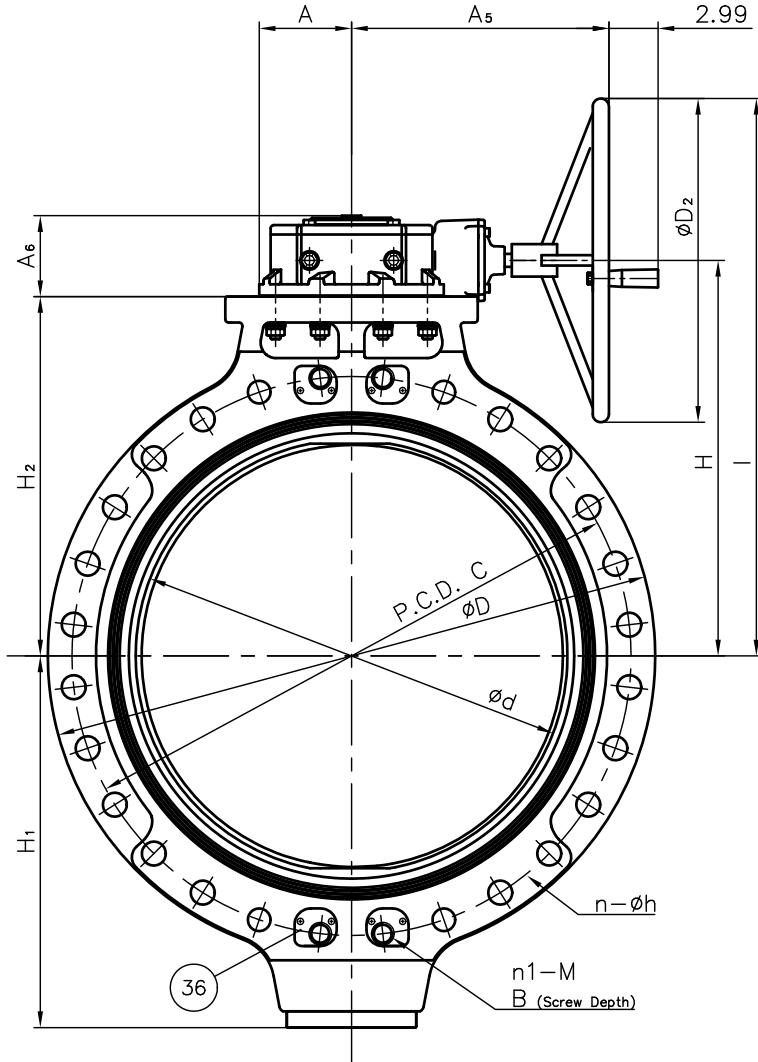
DIMENSION TABLE

| NOMINAL SIZE | ANSI Class 150 | | | | | | | | | | | | | | | | | | | | Number of handle rotation | GEAR BOX Model No. | | | | |
|--------------|----------------|-------|------|-----------------------------|---------------------|-----------------|--------|-------------|------|-------|----------------|----------------|------|----------------|----------------|-------|-------|----------------|----------------|------|---------------------------|--------------------|----------------|----------------|----------------|----------------|
| | d | C | h | N (Number of Bolt Holes) | n (Through hole) | n1 (Screw hole) | | M | B | D | D ₁ | D ₂ | L | L ₁ | L ₂ | H | I | H ₁ | H ₂ | A | | | A ₂ | A ₄ | A ₅ | A ₆ |
| | | | | | | /side | /total | | | | | | | | | | | | | | | | | | | |
| 28" 700mm | 26.38 | 34.00 | 1.38 | 28 | 24 | 4 | 8 | 1 1/4-7 UNC | 1.10 | 36.93 | 29.53 | 19.69 | 6.50 | 6.65 | 0.08 | 24.06 | 33.90 | 22.60 | 21.85 | 5.61 | 5.12 | 5.51 | 15.65 | 4.92 | 55 | AB1950N PR4 |
| 32 800 | 30.63 | 38.50 | 1.62 | 28 | 24 | 4 | 8 | 1 1/2-6 UNC | 1.18 | 41.73 | 34.21 | 23.62 | 7.48 | 7.80 | 0.16 | 26.89 | 38.70 | 25.16 | 24.41 | 5.77 | 5.51 | 6.02 | 16.93 | 5.28 | 87 | AB3000N PR6 |
| 36 900 | 34.96 | 42.80 | 1.62 | 32 | 28 | 4 | 8 | 1 1/2-6 UNC | 1.18 | 46.38 | 38.54 | 23.62 | 7.99 | 8.31 | 0.16 | 30.24 | 42.05 | 28.50 | 27.76 | 5.77 | 5.51 | 6.02 | 16.93 | 5.28 | 87 | AB3000N PR6 |

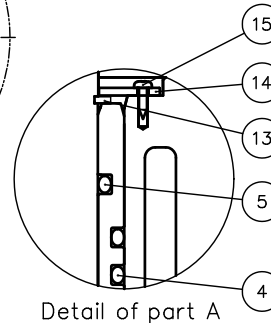
UNIT: inch

NOTE.

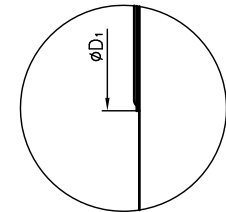
- Dimensions "L" is equivalent to ISO5752 flangeless (wafer) short.
- The shape and appearance of assembly differ a little with nominal size compared to this drawing.



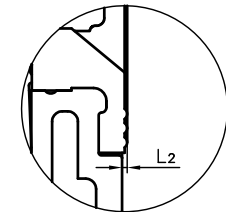
Detail of part C



Detail of part A

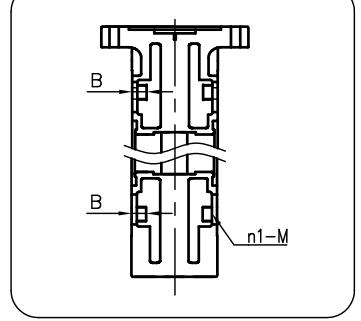


Detail of part B



Detail of part D

Detail of Screw hole



| | | | | |
|-----|------------------------|----|---------------------------------|-----------------------------|
| 36 | COVER PLATE | 8 | ABS | |
| 21 | BOLT (B) | 8 | STAINLESS STEEL (SUS304) | Attachment : Collar |
| 20 | NUT | 8 | STAINLESS STEEL (SUS304) | |
| 19s | SPRING WASHER | 8 | STAINLESS STEEL (SUS304) | |
| 19 | WASHER (B) | 8 | STAINLESS STEEL (SUS304) | |
| 19n | NORD-LOCK WASHER | 8 | STAINLESS STEEL (SUS316) | |
| 17 | GEAR BOX | 1 | CAST IRON (FC250) etc. | Polyurethane Coat. (ROTORK) |
| 16 | KEY | 1 | CARBON STEEL (S45C) | |
| 15 | SCREW | 4 | STAINLESS STEEL (SUS304) | |
| 14 | STEM HOLDER (A) | 1 | ABS | |
| 13 | RETAINING RING C-TYPE | 1 | STAINLESS STEEL (SUS304) | |
| 12 | BOLT (A) | 4 | STAINLESS STEEL (SUS304) | Used for Size 28" |
| | | 8 | STAINLESS STEEL (SUS304) | Used for Size 32,36" |
| 11s | SPRING WASHER (No.11) | 4 | STAINLESS STEEL (SUS304) | Used for Size 28" |
| | | 4 | STAINLESS STEEL (SUS304) | Used for Size 32,36" |
| 11 | WASHER (A) | 4 | STAINLESS STEEL (SUS304) | Used for Size 28" |
| | | 8 | STAINLESS STEEL (SUS304) | Used for Size 32,36" |
| 10 | STEM HOLDER (B) | 1 | ABS | |
| 7 | STEM (A) | 1 | STAINLESS STEEL (SUS316) | |
| 6 | STEM (B) | 1 | STAINLESS STEEL (SUS316) | |
| 18 | GASKET | 1 | EPDM | |
| 9 | O-RING (C) | 1 | | |
| 5 | O-RING (B) | 2 | | |
| 4 | O-RING (A) | 16 | <input type="checkbox"/> EPDM | Used for Size 700mm |
| | | 14 | <input type="checkbox"/> FKM | Used for Size 800,900mm |
| 3 | SEAT | 1 | | |
| 2a | INSERTED METAL OF DISC | 1 | AC4C | |
| 8 | BUSH | 2 | <input type="checkbox"/> PP | |
| | | 1 | <input type="checkbox"/> PVDF | |
| 2 | DISC | 2 | | |
| 1a | INSERTED METAL OF BODY | 2 | STEEL CASTING STAINLESS (SCS13) | |
| 1 | BODY | 1 | PDCPD | |

| No. | DESCRIPTION | QTY. | MATERIAL | REMARKS |
|---|-------------|-------------|----------|---------|
| ITEM BUTTERFLY VALVE (TYPE58) ASS'Y SIDE GEAR TYPE: ANSI Class 150 28" (700mm) ~36" (900mm) | | | | |
| DRAWN | H.Kawano | DATE | SCALE | |
| CHECKED | Y.Yoneda | MAR.10.2023 | | |
| APPROVED | K.Kaushou | DRAWING No. | | |
| SPECIAL ORDER No. | 58-M1001AE | | | |
| ASAHI YUKIZAI CORPORATION | | | | |