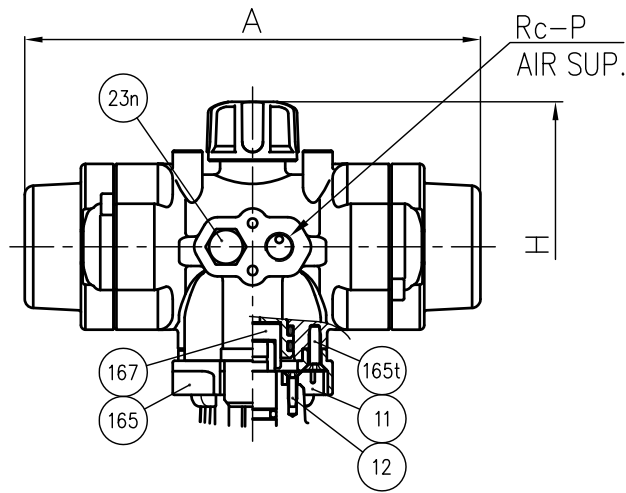


Actuator Shape (AR040)



DIMENSIONS TABLE

Unit:mm

Nominal Size	d	SOCKET END				THREADED END			D1	H	H1	A	A2	A3	A3'	P	ACTUATOR TYPE		
		d1	l	1/T	L	d2	l	L									Air to open	Air to shut	
13mm	3/8"	15	18.20	17	1/30	69	-	-	40	123.5	20.5	154	28	38	46	1/8	ARO40NC20NN	ARO40NO20NN	
15	1/2"	15	22.11	20	1/34	79	Rc 1/2	15	69	40	123.5	20.5	154	28	38	46	1/8	ARO40NC20NN	ARO40NO20NN
20	3/4"	20	26.13	24	1/34	94	Rc 3/4	17	94	49	130.5	25.5	154	28	38	46	1/8	ARO40NC20NN	ARO40NO20NN
25	1"	25	32.16	27	1/34	108	Rc 1	20	108	58	137.5	30	154	28	38	46	1/8	ARO40NC20NN	ARO40NO20NN
32	1 1/4"	31	38.19	30	1/34	121	Rc 1 1/4	22	121	68	169	35	194	35	49	59	1/4	ARO50NC30NN	ARO50NO30NN
40	1 1/2"	40	48.21	37	1/37	146	Rc 1 1/2	25	146	82.5	211.5	42	254	42.5	57	67	1/4	ARO63NC40SN	ARO63NO40SN
50	2"	51	60.25	42	1/37	175	Rc 2	28	175	104	223	53	254	42.5	57	67	1/4	ARO63NC40SN	ARO63NO40SN

NOTE.

1. Operation of permission pressure : 0.4~0.7MPa G

Air to open : Valve open : Supply

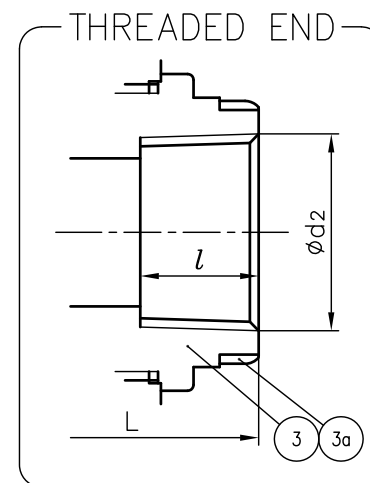
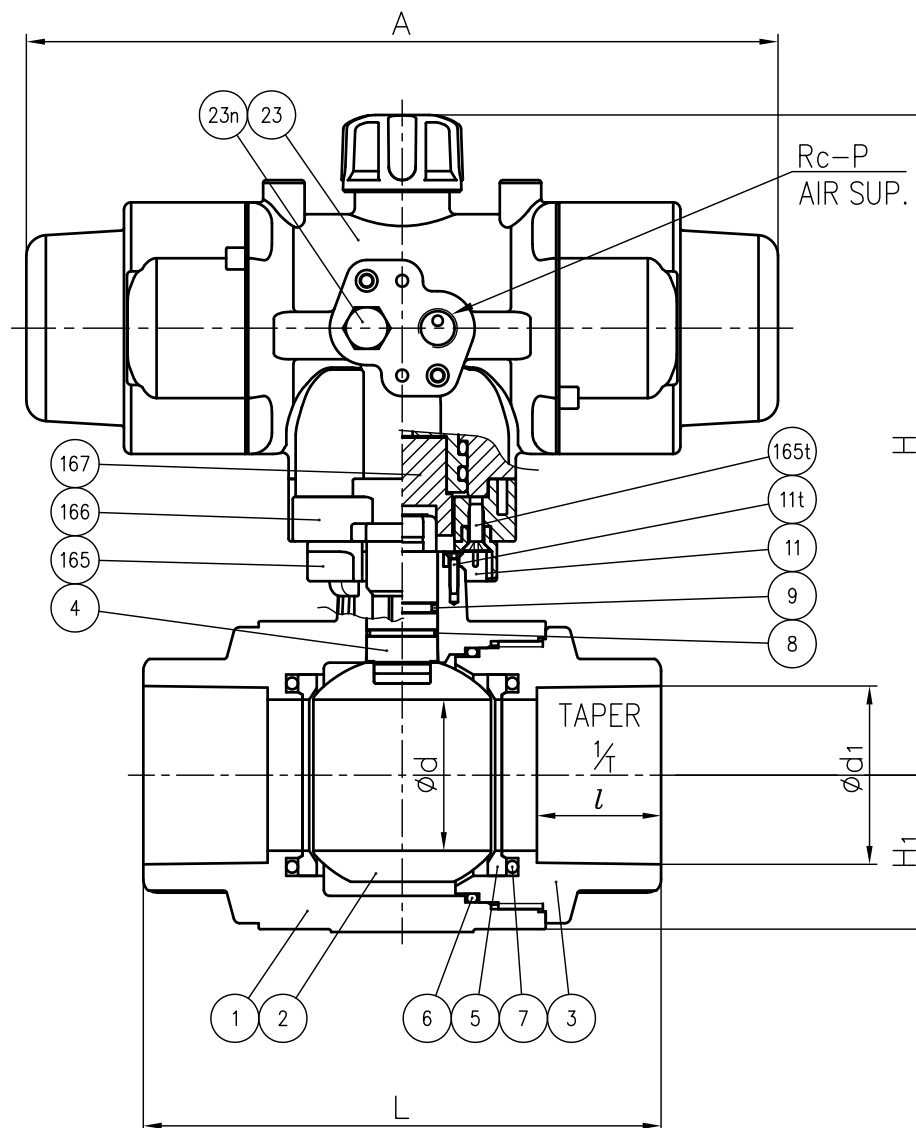
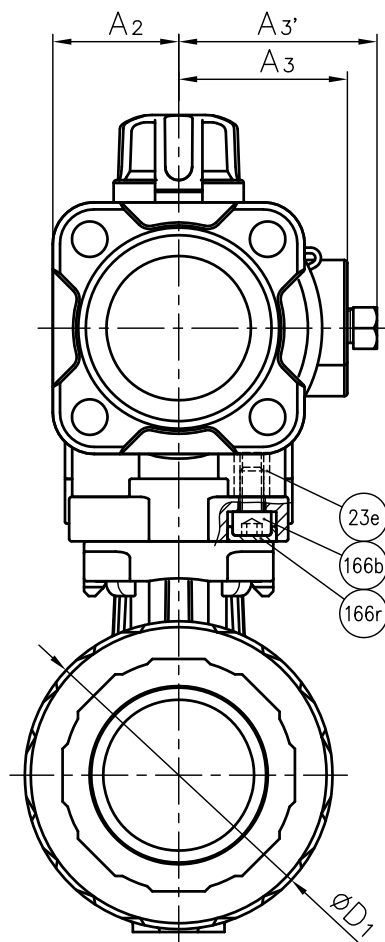
Valve shut : Exhaust

Air to shut : Valve open : Exhaust

Valve shut : Supply

2. The shape and appearance of assembly differ a little with nominal size compared to this drawing.

SOCKET END



3a	RING	2	STAINLESS STEEL (SUS304)	Used for C-PVC Body, Threaded End:15-25mm
167	SHAFT ADAPTER	1	STAINLESS STEEL (SUS304)	
166r	CAP (No.166)	4	EPDM	Used for Actuator Type AR063
166b	BOLT (No.166)	4	STAINLESS STEEL (SUS304)	
166	CONNECTOR PLATE	1	PPG	
165t	TAPPING SCREW (No.165)	2	STAINLESS STEEL (SUS304)	
165	BASE PLATE	1	PPG	
23n	NIPPLE	1	PPG	
23e	ENSAT (No.23)	4	STAINLESS STEEL (SUS303)	Used for Actuator Type AR063
23	ACTUATOR	1	PPG etc.	
11t	TAPPING SCREW (No.11)	4	STAINLESS STEEL (SUS304)	
11	ISO PLATE	1	ABS	
9	O-RING (E)	1	□EPDM	
8	O-RING (D)	1	□FKM	
7	O-RING (C)	2	□Others	
6	O-RING (B)	1	( )	
5	SEAT	2	PTFE	
4	STEM	1		
3	END CONNECTOR	1	□PVC	
2	BALL	1	□C-PVC	
1	BODY	1		
No.	DESCRIPTION	QTY.	MATERIAL	REMARKS

ITEM COMPACT BALL VALVE (TYPE27) PNEUMATIC ACTUATED MODEL TYPE AR ASS'Y  
 □ AIR TO OPEN, □ AIR TO SHUT  
 JIS: □SOCKET END, □THREADED END  
 13mm (3/8") ~ 50mm (2")

DRAWN	S.Shimazaki	DATE	SCALE
CHECKED	H.Kawano	APR.22.2020	~
APPROVED	K.Koushou	DRAWING No.	
		27-AA001JE	

SPECIAL ORDER No. ASAHYUKIZAI CORPORATION