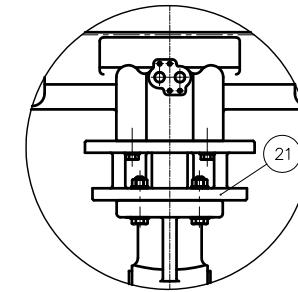
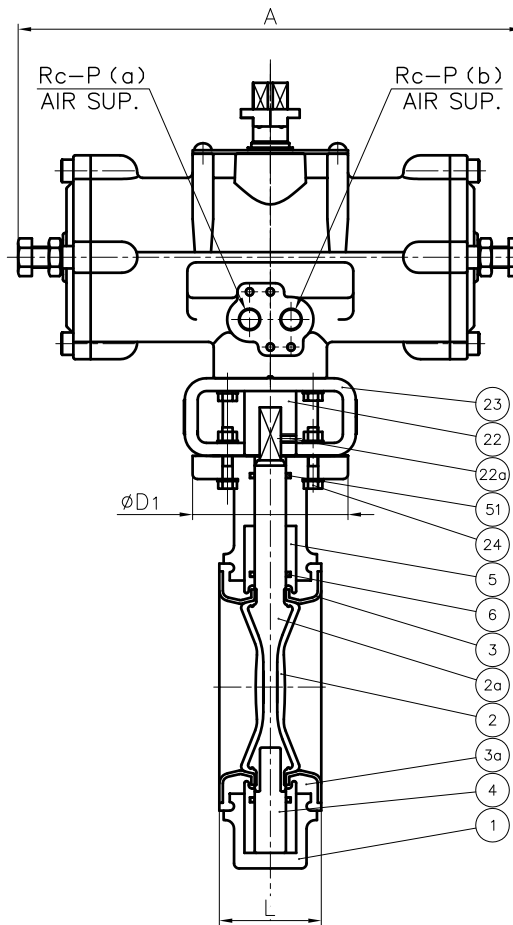
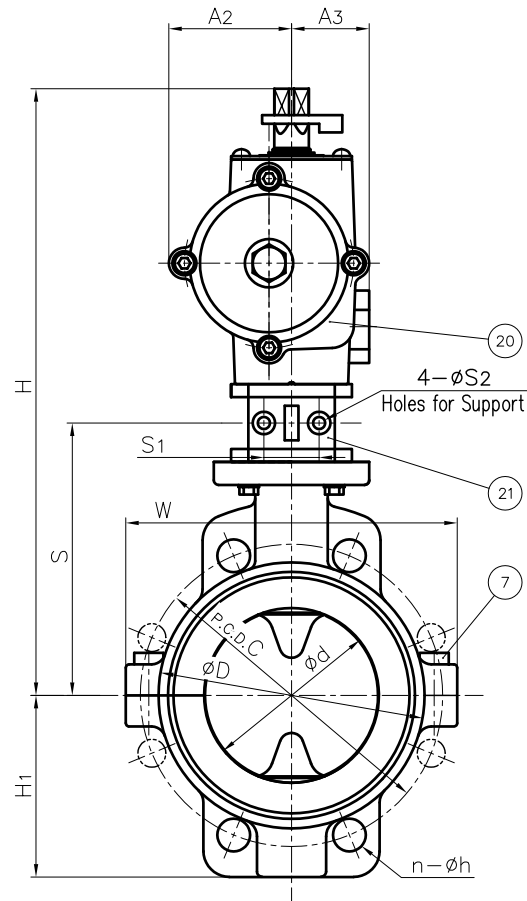


The shape of Stand
8" (200mm) & 10" (250mm)



NOTE.

1. Operating pressure 0.4–0.7 MPa G
2. Valve open : Port (a) Exhaust Port (b) Supply
Valve Shut : Port (a) Supply Port (b) Exhaust
3. The shape and appearance of assembly differ a little with nominal Size compared to this drawing.

51	O-RING (B)	1	NBR	
24	BOLT · NUT (B)	4Sets	STAINLESS STEEL (SUS304)	
23	BOLT (D)	4	STAINLESS STEEL (SUS304)	
22a	SCREW (B)	1	STAINLESS STEEL (SUS304)	
22	JOINT	1	COPPER ALLOY	
21	STAND	1	PPG CAST ALUMINIUM ALLOY (AC4C)	Used for Size 2~6" Used for Size 8,10" Epoxy Coat.
20	ACTUATOR	1	ALUMINIUM ALLOYS DIE CASTINGS (ADC12) etc.	Meramin Baking Coat.
7	BOLT (A)	—	STAINLESS STEEL (SUS304)	Used for Size 2~5" : 2 Used for Size 6" Over : 4
6	O-RING (A)	1	EPDM	
5	BUSH	2	STAINLESS STEEL (SUS304)	
4	STEM	1	STAINLESS STEEL (SUS304)	
3a	SEAT CUSHION	1	CR	
3	SEAT	1	PTFE	
2a	INSERTED METAL OF DISC	1	STAINLESS STEEL (SUS304)	
2	DISC	1	PTFE	
1	BODY	1	DUCTILE CAST IRON (FCD-S)	Epoxy Powder Coat
No.	DESCRIPTION	QTY.	MATERIAL	REMARKS

DIMENSIONS TABLE

UNIT : inch

NOMINAL SIZE	ANSI Class150				L	D	D1	H	H1	W	A	A2	A3	S	S1	S2	P	ACTUATOR MODEL
	d	C	n	h														
2" 50mm	2.17	4.75	2 (4)	0.75	1.73	3.54	3.54	10.55	2.40	4.57	8.27	1.81	1.42	4.82	1.26	0.28	¼	TA2A-050D
3 80	3.15	6.00	— (4)	0.75	2.13	4.92	3.54	11.89	3.74	5.98	9.84	2.24	1.50	5.57	1.26	0.28	¼	TA2A-063D
4 100	3.94	7.50	4 (8)	0.75	2.32	6.06	3.54	13.82	3.90	6.85	11.50	2.80	1.77	6.20	1.26	0.28	¼	TA2A-080D
5 125	4.92	8.50	4 (8)	0.88	2.52	7.13	4.92	14.96	4.72	8.11	11.50	2.80	1.77	7.22	1.65	0.35	¼	TA2A-080D
6 150	5.91	9.50	4 (8)	0.88	2.95	8.31	4.92	16.85	5.39	9.29	14.25	3.37	2.24	7.89	1.65	0.35	¼	TA2A-100D
8 200	7.52	11.75	4 (8)	0.88	3.35	10.43	4.92	19.76	6.42	11.10	17.32	3.54	2.36	—	—	—	¼	TA2A-125D
10 250	9.65	14.25	4 (12)	1.00	3.78	12.80	4.92	22.95	7.87	13.43	20.94	4.45	2.68	—	—	—	¼	TA2A-160D

ITEM	BUTTERFLY VALVE (TYPE 55) PNEUMATIC MODEL TA TYPE ASS'Y DOUBLE ACTING ANSI Class 150 2" (50mm) ~ 10" (250mm)		
DRAWN	E.Ozaki	DATE	SCALE
CHECKED	H.Kawano	JUL.01.2019	~
APPROVED	K.Koushou	DRAWING No.	
		55-AA004AE	
SPECIAL ORDER No.	ASAHI YUKIZAI CORPORATION		