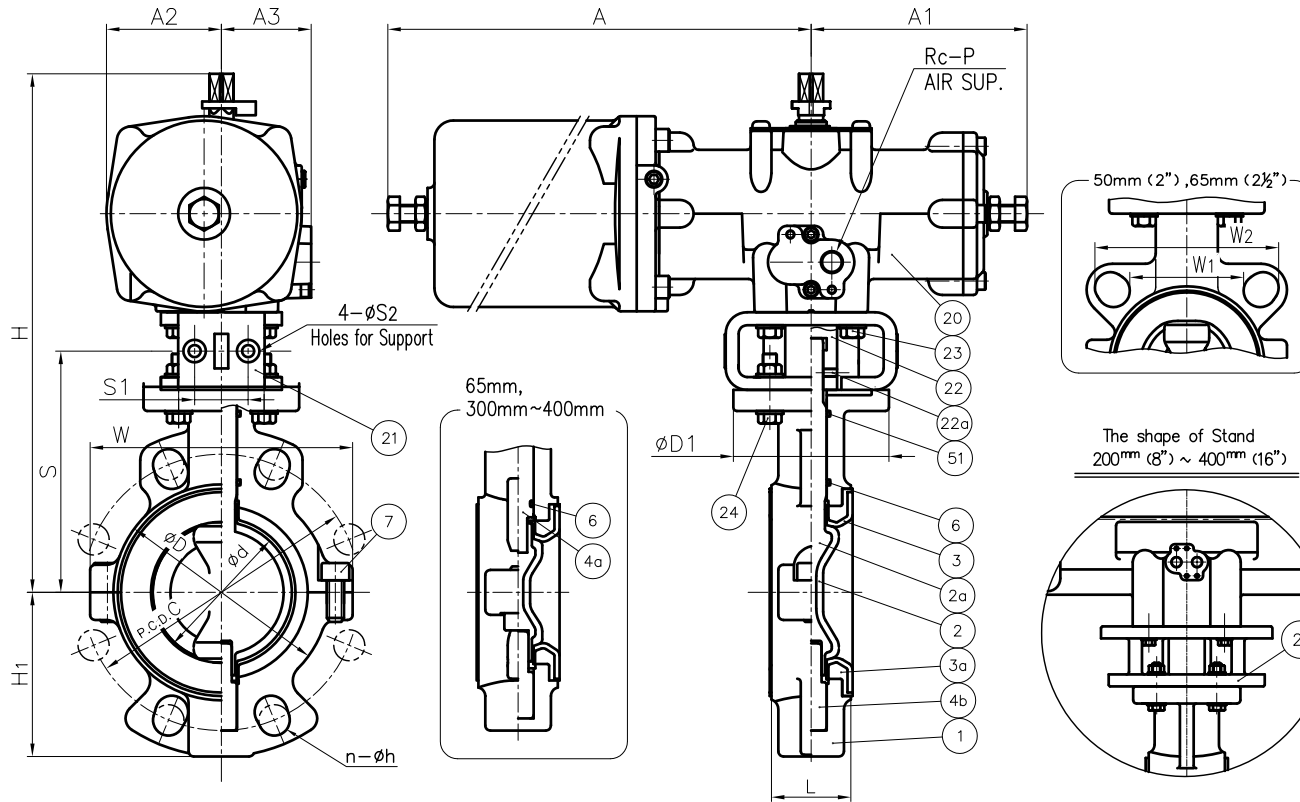


50mm (2") ~ 150mm (6")



NOTE.

1. Operating pressure: 0.4~0.7 MPa G
2. Air to open : Air-less shut
Air to shut : Air-less open
3. The shape and appearance of assembly differ a little with nominal size compared to this drawing.
4. Dimensions "L" is equivalent to ISO5752 flangeless (wafer) short.

| | | | | |
|-----|------------------------|--------|---|---|
| 51 | O-RING (B) | 1 | EPDM | |
| 24 | BOLT · NUT (B) | 4 Sets | STAINLESS STEEL (SUS304) | |
| 23 | BOLT (D) | 4 | STAINLESS STEEL (SUS304) | |
| 22a | SCREW (B) | 1 | STAINLESS STEEL (SUS304) | |
| 22 | JOINT | 1 | COPPER ALLOY (C3604) | |
| 21 | STAND | 1 | PPG | Used for Size 50~150mm |
| | | | CAST ALUMINUM ALLOY (AC12C) | Used for Size 200~400mm |
| 20 | ACTUATOR | 1 | ALUMINUM ALLOYS DIE CASTINGS (ADC12) etc. | Meramin Baking Coat. |
| 7 | BOLT (A) | - | STAINLESS STEEL (SUS304) | Used for Size 50~125mm : 2 150~400mm : 4 |
| 6 | O-RING (A) | 1 | EPDM | |
| 4b | STEM (B) | 1 | STAINLESS STEEL (SUS304) | |
| 4a | STEM (A) | 1 | STAINLESS STEEL (SUS304) | Used for Size 65mm, 300~400mm |
| 3a | SEAT CUSHION | 1 | CR | |
| 3 | SEAT | 1 | PTFE | |
| 2a | INSERTED METAL OF DISC | 1 | STAINLESS STEEL (SUS304) | |
| 2 | DISC | 1 | PTFE | |
| 1 | BODY | 1 | DUCTILE CAST IRON (FCI-S) | Epoxy Powder Coat |
| No. | DESCRIPTION | QTY. | MATERIAL | REMARKS |

DIMENSIONS TABLE

UNIT : mm

| NOMINAL SIZE | d | ANSI Class 150 | | | D | D1 | L | H | H1 | W | W1 | W2 | A | A1 | A2 | A3 | S | S1 | S2 | P | ACTUATOR MODEL | |
|--------------|-----|----------------|---------|--------|------|-----|-----|-----|-----|-----|-----|----|-----|-----|-----|-------|-----|-------|----|---|----------------|------------|
| | | C | n | h | | | | | | | | | | | | | | | | | | |
| 50mm | 2" | 55 | (120.5) | 2 (4) | (19) | 90 | 90 | 43 | 268 | 61 | 116 | 66 | 106 | 240 | 105 | 53 | 50 | 122.5 | 32 | 7 | 1/4 | TA2A-050R |
| 65 | 2½" | 65 | (139.5) | 2 (4) | (19) | 110 | 90 | 46 | 298 | 80 | 146 | 78 | 121 | 288 | 125 | 66.5 | 52 | 137.5 | 32 | 7 | 1/4 | TA2A-063R |
| 80 | 3 | 80 | (152.5) | - (4) | (19) | 125 | 90 | 46 | 302 | 95 | 152 | - | - | 288 | 125 | 66.5 | 52 | 141.5 | 32 | 7 | 1/4 | TA2A-063R |
| 100 | 4 | 100 | 190.5 | 4 (8) | 19 | 154 | 90 | 52 | 351 | 103 | 174 | - | - | 341 | 146 | 82.5 | 59 | 157.5 | 32 | 7 | 1/4 | TA2A-080R |
| 125 | 5 | 125 | 216 | 4 (8) | 22 | 181 | 125 | 56 | 411 | 120 | 206 | - | - | 417 | 181 | 103 | 71 | 183.5 | 42 | 9 | 1/4 | TA2A-100R2 |
| 150 | 6 | 150 | 241.5 | 4 (8) | 22 | 211 | 125 | 56 | 428 | 137 | 236 | - | - | 417 | 181 | 103 | 71 | 200.5 | 42 | 9 | 1/4 | TA2A-100R2 |
| 200 | 8 | 191 | 298.5 | 4 (8) | 22 | 253 | 125 | 60 | 502 | 163 | 290 | - | - | 542 | 220 | 118.5 | 74 | - | - | - | 1/4 | TA2A-125R2 |
| 250 | 10 | 245 | 362 | 4 (12) | 25 | 320 | 125 | 68 | 583 | 200 | 340 | - | - | 658 | 266 | 149 | 82 | - | - | - | 1/4 | TA2A-160R2 |
| 300 | 12 | 296 | 432 | 4 (12) | 25 | 371 | 180 | 78 | 638 | 230 | 410 | - | - | 658 | 266 | 149 | 82 | - | - | - | 1/4 | TA2A-160R2 |
| 350 | 14 | 330 | 476 | 4 (12) | 28 | 416 | 180 | 92 | 727 | 255 | 460 | - | - | 943 | 332 | 182 | 118 | - | - | - | 3/8 | TA-200R |
| 400 | 16 | 380 | (539.5) | 4 (16) | (28) | 476 | 180 | 102 | 757 | 290 | 532 | - | - | 943 | 332 | 182 | 118 | - | - | - | 3/8 | TA-200R |

| | | | |
|-------------------|---|-------------|-------|
| ITEM | BUTTERFLY VALVE (TYPE 55S) PNEUMATIC MODEL TA TYPE ASS'Y □AIR TO OPEN, □AIR TO SHUT ANSI Class 150 50mm (2") ~ 400mm (16") | | |
| DRAWN | E.Ozaki | DATE | SCALE |
| CHECKED | H.Kawano | JUL.25.2019 | ~ |
| APPROVED | K.Koushou | DRAWING No. | |
| | | 55-AA038AEm | |
| SPECIAL ORDER No. | ASAHI YUKIZAI CORPORATION | | |