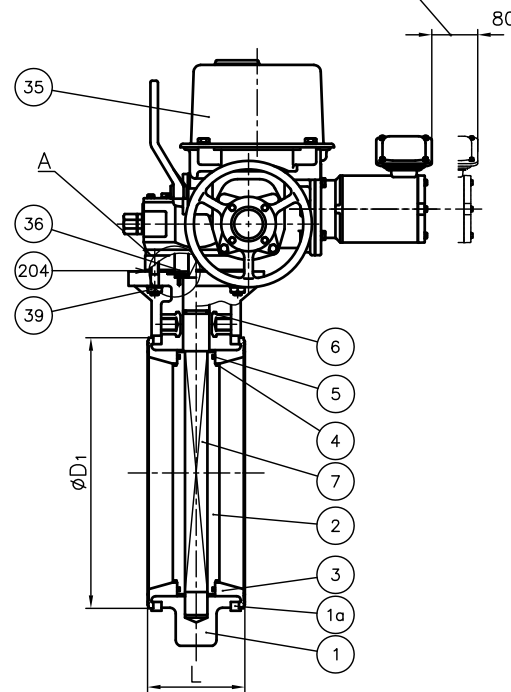


Space for Switch Cover Removal

Space for Moter Removal



204	GASKET (O)	1	EPDM	
157	SCREW (F)	4	STAINLESS STEEL (SUS304)	
1b	INSERTED METAL OF BODY	4	COPPER ALLOY (C3604)	
1a	RING	2	STEEL (SS400) with Epoxy Powder Coat.	
39	BOLT&NUT (P)	4 Sets	STAINLESS STEEL (SUS304)	
36	STEM BUSH	1	CARBON STEEL (S45C)	
35	ACTUATOR	1	DUCTILE IRON (FCD450) etc.	Epoxy Coat.
8	STEM HOLDER (A)	1	PP	
7	STEM	1	STAINLESS STEEL (SUS403)	
6	O-RING (C)	1	<input type="checkbox"/> EPDM	
5	O-RING (B)	2	<input type="checkbox"/> FKM	
4	O-RING (A)	2	<input type="checkbox"/> Others ( )	
3	SEAT	1		
2	DISC	1	<input type="checkbox"/> BODY/DISC <input type="checkbox"/> PP/PP <input type="checkbox"/> PVDF/PVDF	
1	BODY	1		
No.	DESCRIPTION	QTY.	MATERIAL	REMARKS

DIMENSIONS TABLE

UNIT : mm

NOMINAL SIZE	JIS 10K										Actuator Type	Motor Rating Output (Kw)						
	d	C	h	N Number of Standard Bolt Holes	n Number of Through Bolt Holes	n1 Screw Holes One Side	Total	M	L	D			D1	D2	H	H1	H2	I
400mm 16"	406	510	27	16	14	2	4	M24	169	600	470	235	433	300	353	717	LTRM-01/BRM-2 or LTRH-01/BRM-2 (AUTO-RECOVERY TYPE) (MANUAL RECOVERY TYPE)	0.4

ITEM	BUTTERFLY VALVE (TYPE56) ELECTRIC ACTUATED S TYPE ASS'Y □AUTO-RECOVERY TYPE, □MANUAL RECOVERY TYPE JIS 10K 400mm (16")		
DRAWN	E.Ozaki	DATE	SCALE
CHECKED	H.Kawano	JAN.22.2018	
APPROVED	H.Kourogi	DRAWING No. 56-AE006JE	
SPECIAL ORDER No.	ASAHI YUKIZAI CORPORATION		