

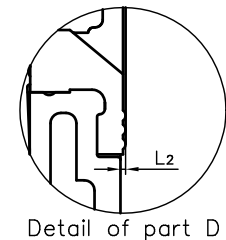
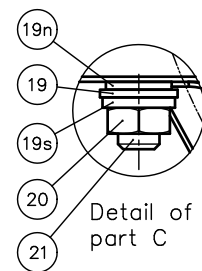
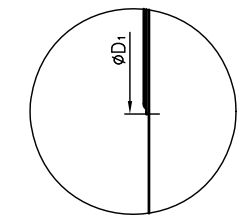
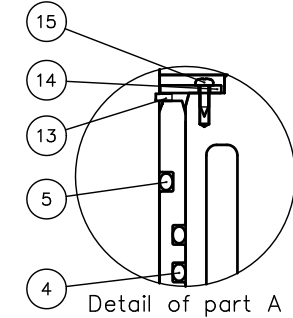
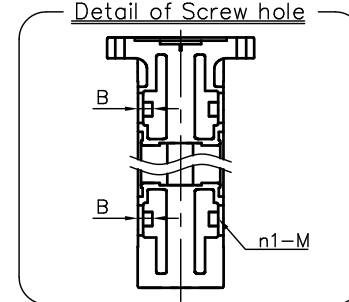
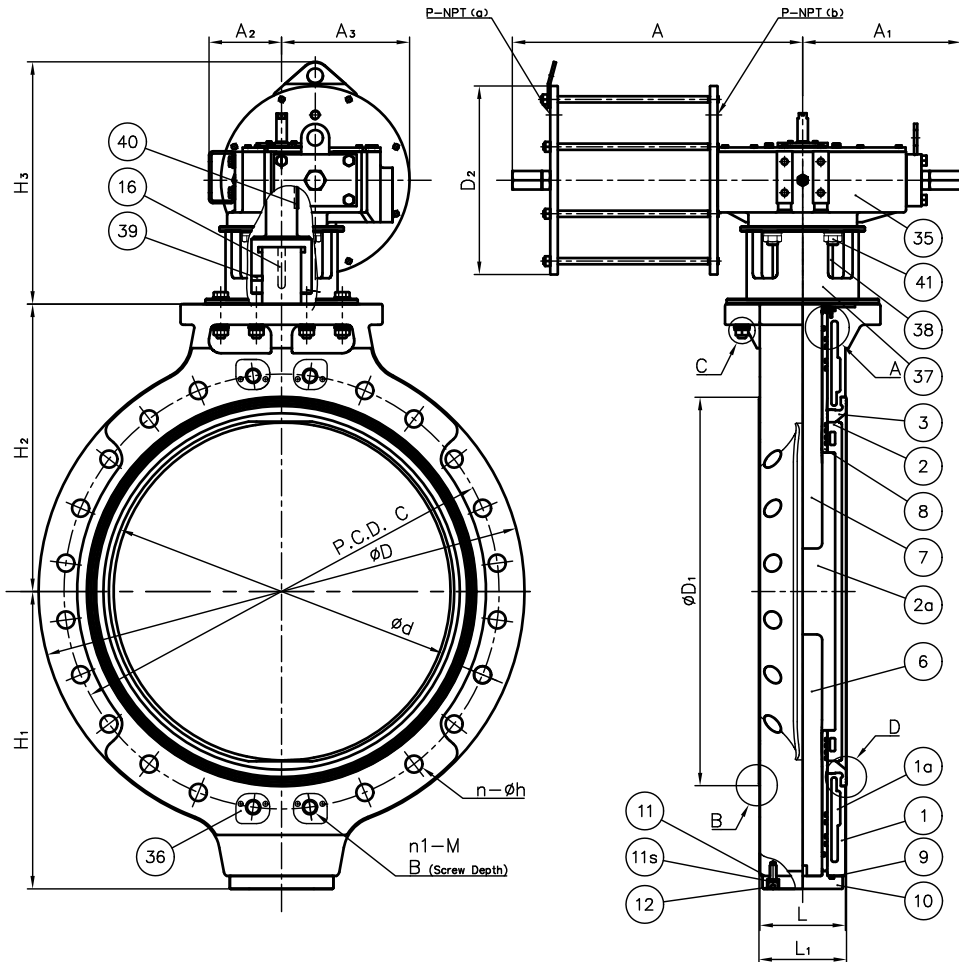
DIMENSION TABLE

UNIT: mm

| NOMINAL SIZE | DIN PN10 | | | | | | | | | | | | | | | | | | | | | | ACTUATOR Model No. | | |
|--------------|----------|-----|------|-----------------------------|---------------------|-----------------|---|---|-----|----|----------------|----------------|-----|----------------|----------------|----------------|----------------|----------------|-------|----------------|----------------|----------------|--------------------|-----|----------------|
| | d | C | h | N (Number of Bolt Holes) | n (Through hole) | n1 (Screw hole) | | M | B | D | D ₁ | D ₂ | L | L ₁ | L ₂ | H ₁ | H ₂ | H ₃ | A | A ₁ | A ₂ | A ₃ | | P | |
| 700mm | 28" | 670 | 840 | 33 | 24 | 20 | 4 | 8 | M27 | 28 | 938 | 750 | 364 | 165 | 169 | 2 | 574 | 555 | 468 | 560.5 | 306 | 140 | 247 | 3/8 | EPTC106-295-DA |
| 800 | 32 | 778 | 950 | 33 | 24 | 20 | 4 | 8 | M30 | 30 | 1060 | 869 | 409 | 190 | 198 | 4 | 639 | 620 | 512.5 | 664.5 | 399 | 170 | 289.5 | 1/2 | EPTC108-340-DA |
| 900 | 36 | 888 | 1050 | 33 | 28 | 24 | 4 | 8 | M30 | 30 | 1178 | 979 | 409 | 203 | 211 | 4 | 724 | 705 | 512.5 | 664.5 | 399 | 170 | 289.5 | 1/2 | EPTC108-340-DA |

NOTE.

- Dimensions "L" is equivalent to ISO5752 flangeless (wafer) short.
- Operating pressure: 0.5-0.55MPa G
Valve open; Port (a) Exhaust Port (b) Supply
Valve close; Port (a) Supply Port (b) Exhaust
- The shape and appearance of assembly differ a little with nominal size compared to this drawing.



| No. | DESCRIPTION | QTY. | MATERIAL | REMARKS |
|-------------------|---|------------------|---------------------------------|--|
| 40 | KEY | 2 | CARBON STEEL | |
| 39 | SCREW (C) | 1 | STAINLESS STEEL (SUS304) | |
| 41 | BOLT (E) | 4-sets 8-sets | STAINLESS STEEL (SUS304) | |
| 38 | JOINT (A) | 1 | STAINLESS STEEL (SUS304) | |
| 37 | STAND | 1 | STAINLESS STEEL (SUS304) | |
| 36 | COVER PLATE | 8 | ABS | |
| 21 | BOLT (B) | 8 | STAINLESS STEEL (SUS304) | Attachment : Collar |
| 20 | NUT | 8 | STAINLESS STEEL (SUS304) | |
| 19s | SPRING WASHER | 8 | STAINLESS STEEL (SUS304) | |
| 19 | WASHER (B) | 8 | STAINLESS STEEL (SUS304) | |
| 19n | NORD-LOCK WASHER | 8 | STAINLESS STEEL (SUS316L) | |
| 35 | ACTUATOR | 1 | Steel/Ductile Iron | Urethane coat (FLOWBUS) |
| 16 | KEY | 1 | CARBON STEEL (S45C) | |
| 15 | SCREW | 4 | STAINLESS STEEL (SUS304) | |
| 14 | STEM HOLDER (A) | 1 | ABS | |
| 13 | RETAINING RING C-TYPE | 1 | STAINLESS STEEL (SUS304) | |
| 12 | BOLT (A) | 4 8 | STAINLESS STEEL (SUS304) | Used for Size 700mm Used for Size 800,900mm |
| 11s | SPRING WASHER (No.11) | 4 8 | STAINLESS STEEL (SUS304) | Used for Size 700mm Used for Size 800,900mm |
| 11 | WASHER (A) | 4 8 | STAINLESS STEEL (SUS304) | Used for Size 700mm Used for Size 800,900mm |
| 10 | STEM HOLDER (B) | 1 | ABS | |
| 7 | STEM (A) | 1 | STAINLESS STEEL (SUS316) | |
| 6 | STEM (B) | 1 | STAINLESS STEEL (SUS316) | |
| 18 | GASKET | 1 | | |
| 9 | O-RING (C) | 1 | | |
| 5 | O-RING (B) | 2 | □ EPDM □ FKM | |
| 4 | O-RING (A) | 16 14 | | Used for Size 700mm Used for Size 800,900mm |
| 3 | SEAT | 1 | | |
| 2a | INSERTED METAL OF DISC | 1 | AC4C | |
| 8 | BUSH | 2 | □ PP □ PVDF | |
| 2 | DISC | 1 | □ PVDF | |
| 1a | INSERTED METAL OF BODY | 2 | STEEL CASTING STAINLESS (SCS13) | |
| 1 | BODY | 1 | PDCPD | |
| No. | DESCRIPTION | QTY. | MATERIAL | REMARKS |
| ITEM | BUTTERFLY VALVE (TYPE 58) PNEUMATIC MODEL FL TYPE ASS'Y DOUBLE ACTING DIN PN10 700mm (28") ~900mm (36") | | | |
| DRAWN | H.Kawano | DATE | SCALE | |
| CHECKED | Y.Yoneda | MAR.10.2023 | | |
| APPROVED | K.Koushou | DRAWING No. | | |
| | | 58-AA001DE | | △ |
| SPECIAL ORDER No. | ASAHI YUKIZAI CORPORATION | | | |