

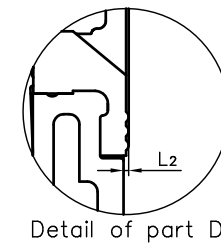
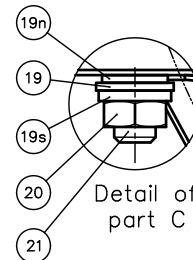
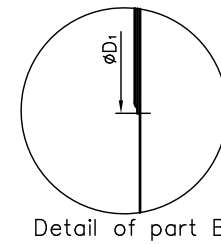
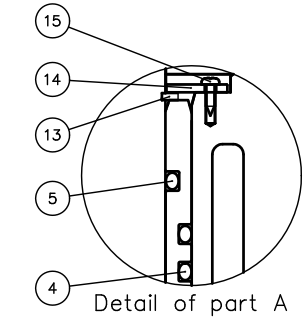
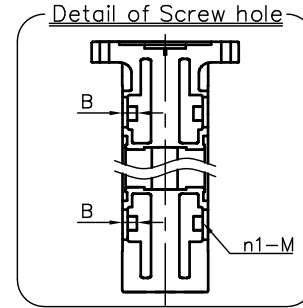
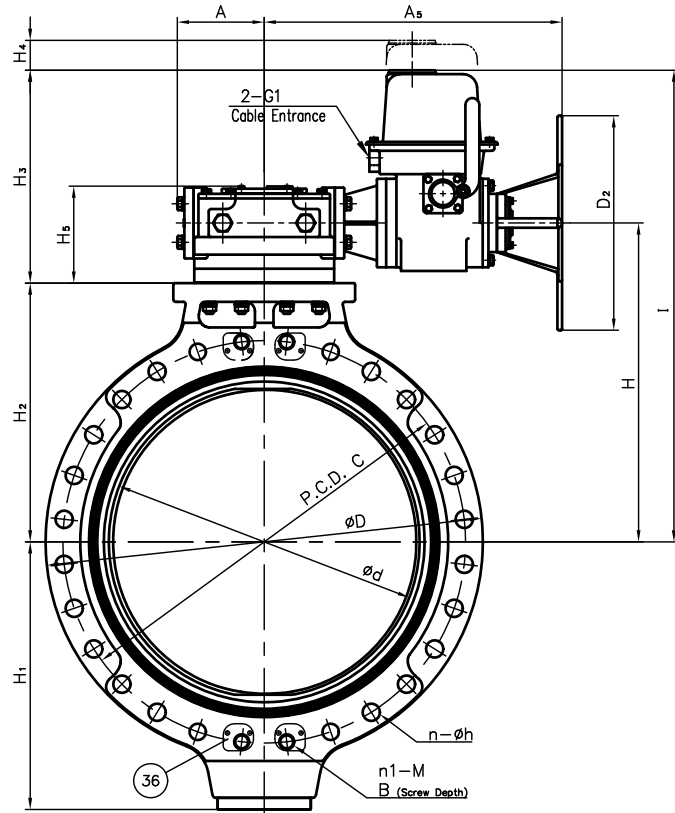
DIMENSION TABLE

Unit: inch

NOMINAL SIZE	ANSI Class 150																		ACTUATOR Model No.									
	d	C	h	N (Number of Bolt Holes)	n (Through hole)	n1 (Screw hole)		M	B	D	D ₁	D ₂	L	L ₁	L ₂	H	H ₁	H ₂		H ₃	H ₄	H ₅	I	A	A ₂	A ₃	A ₄	A ₅
						/side	/total																					
28" 700mm	26.38	34.00	1.38	28	24	4	8	1 1/4-7 UNC	1.10	36.93	29.53	18.11	6.50	6.65	0.08	26.93	22.60	21.85	17.99	6.30	8.23	39.88	7.32	5.75	20.51	7.60	25.16	LTMD-02/BRM-10
32 800	30.63	38.50	1.62	28	24	4	8	1 1/2-6 UNC	1.18	41.73	34.21	11.42	7.48	7.80	0.16	35.08	25.16	24.41	20.00	6.89	8.23	44.41	7.32	17.40	26.02	7.60	26.93	LTMD-05/BRM-10
36 900	34.96	42.80	1.62	32	28	4	8	1 1/2-6 UNC	1.18	46.38	38.54	11.42	7.99	8.31	0.16	38.54	28.50	27.46	20.00	6.89	8.23	47.76	7.32	17.40	27.13	7.60	26.93	LTMD-05/BRM-10

NOTE.

- Dimensions "L" is equivalent to ISO5752 flangeless (wafer) short.
- The shape and appearance of assembly differ a little with nominal size compared to this drawing.



18	GASKET	1	EPDM	
36	COVER PLATE	8	ABS	
21	BOLT (B)	8	STAINLESS STEEL (SUS304)	Attachment : Collar
20	NUT	8	STAINLESS STEEL (SUS304)	
19s	SPRING WASHER	8	STAINLESS STEEL (SUS304)	
19	WASHER (B)	8	STAINLESS STEEL (SUS304)	
19n	NORD-LOCK WASHER	8	STAINLESS STEEL (SUS316L)	
35	ACTUATOR	1	DUCTILE IRON (FCI450)	Tar Epoxy Coat. (Selbu)
16	KEY	1	CARBON STEEL (SA5C)	
15	SCREW	4	STAINLESS STEEL (SUS304)	
14	STEM HOLDER (A)	1	ABS	
13	RETAINING RING C-TYPE	1	STAINLESS STEEL (SUS304)	
12	BOLT (A)	4	STAINLESS STEEL (SUS304)	Used for Size 28"
		8		Used for Size 32,36"
11s	SPRING WASHER (No.11)	4	STAINLESS STEEL (SUS304)	Used for Size 28"
		8		Used for Size 32,36"
11	WASHER (A)	4	STAINLESS STEEL (SUS304)	Used for Size 28"
		8		Used for Size 32,36"
10	STEM HOLDER (B)	1	ABS	
7	STEM (A)	1	STAINLESS STEEL (SUS316)	
6	STEM (B)	1	STAINLESS STEEL (SUS316)	
18	GASKET	1		
9	O-RING (C)	1		
5	O-RING (B)	2	<input type="checkbox"/> EPDM <input type="checkbox"/> FKM	Used for Size 28"
4	O-RING (A)	16 14		Used for Size 32,36"
3	SEAT	1		
2a	INSERTED METAL OF DISC	1	AC4C	
8	BUSH	2	<input type="checkbox"/> PP <input type="checkbox"/> PVDF	
2	DISC	1	PVDF	
1a	INSERTED METAL OF BODY	2	STEEL CASTING STAINLESS (SCS13)	
1	BODY	1	PDCPD	
No.	DESCRIPTION	QTY.	MATERIAL	REMARKS

ITEM	BUTTERFLY VALVE (TYPE 58) ELECTRIC MODEL S TYPE ASSY ANSI Class 150 28" (700mm) ~ 36" (900mm)		
DRAWN	H.Kawano	DATE	SCALE
CHECKED	Y.Yoneda	MAR.10.2023	
APPROVED	K.Koushou	DRAWING No. 58-AE001AE	
SPECIAL ORDER No.	ASAHII YUKIZAI CORPORATION		