

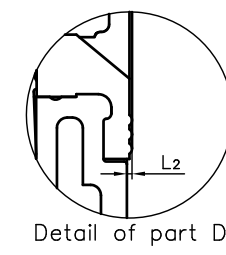
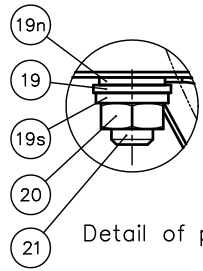
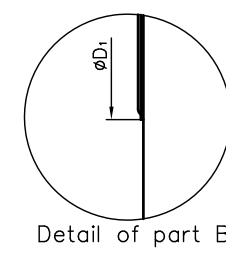
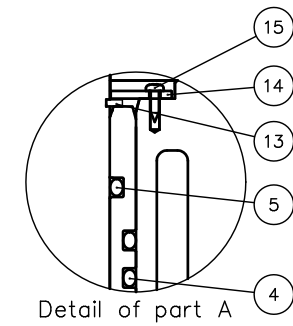
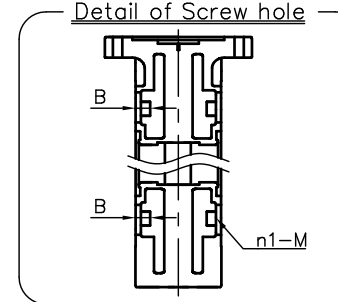
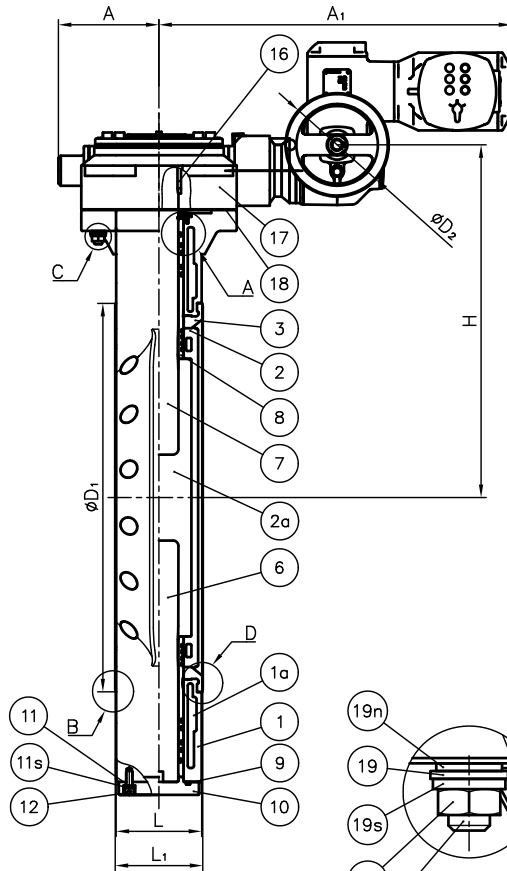
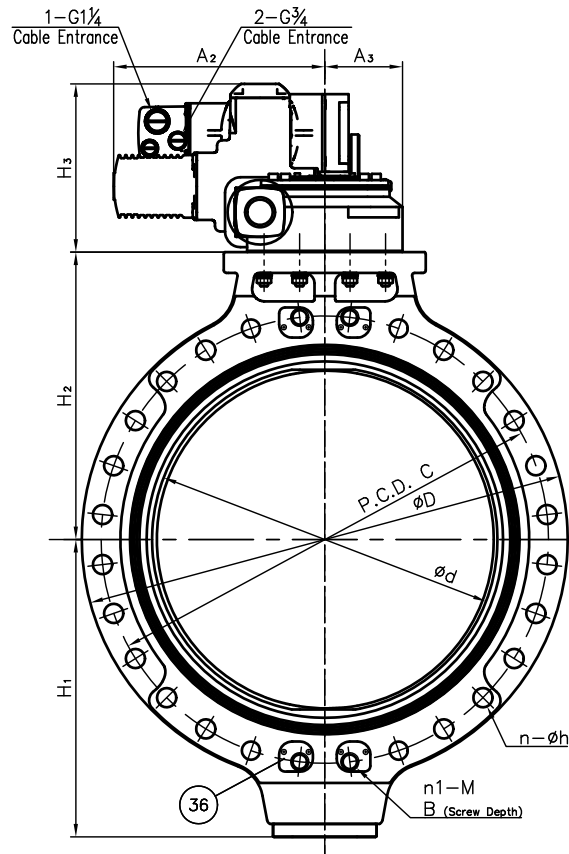
DIMENSION TABLE

UNIT: inch

NOMINAL SIZE	ANSI Class 150																ACTUATOR Model No.							
	d	C	h	N (Number of Bolt Holes)	n (Through hole)	n1 (Screw hole)		M	B	D	D <sub>1</sub>	D <sub>2</sub>	L	L <sub>1</sub>	L <sub>2</sub>	H		H <sub>1</sub>	H <sub>2</sub>	H <sub>3</sub>	A	A <sub>1</sub>	A <sub>2</sub>	A <sub>3</sub>
						/side	/total																	
28" 700mm	26.38	34.00	1.38	28	24	4	8	1 1/4-7 UNC	1.10	36.93	29.53	7.87	6.50	6.65	0.08	26.81	22.60	21.85	12.76	7.64	26.81	16.06	5.91	SA10.1.AM01.1.CS125.3
32 800	30.63	38.50	1.62	28	24	4	8	1 1/2-6 UNC	1.18	41.73	34.21	7.87	7.48	7.80	0.16	29.37	25.16	24.41	12.76	11.42	29.80	6.50	16.30	SA10.1.AM01.1.CS160.3
36 900	34.96	42.80	1.62	32	28	4	8	1 1/2-6 UNC	1.18	46.38	38.54	7.87	7.99	8.31	0.16	32.73	28.50	27.76	1.76	11.42	29.80	6.50	16.30	SA10.1.AM01.1.CS180.3

NOTE.

- Dimensions "L" is equivalent to ISO5752 flangeless (wafer) short.
- The shape and appearance of assembly differ a little with nominal size compared to this drawing.



18	GASKET	1	EPDM	
36	COVER PLATE	8	ABS	
21	BOLT (B)	8	STAINLESS STEEL (SUS304)	Attachment : Collar
20	NUT	8	STAINLESS STEEL (SUS304)	
19s	SPRING WASHER	8	STAINLESS STEEL (SUS304)	
19	WASHER (B)	8	STAINLESS STEEL (SUS304)	
19n	NORD-LOCK WASHER	8	STAINLESS STEEL (SUS316L)	
35	ACTUATOR	1	ALUMINIUM ALLOYS	Polyurethane Coat. (aurna)
16	KEY	1	CARBON STEEL (S45C)	
15	SCREW	4	STAINLESS STEEL (SUS304)	
14	STEM HOLDER (A)	1	ABS	
13	RETAINING RING C-TYPE	1	STAINLESS STEEL (SUS304)	
12	BOLT (A)	4	STAINLESS STEEL (SUS304)	Used for Size 28"
		8		Used for Size 32,36"
11s	SPRING WASHER (No.11)	4	STAINLESS STEEL (SUS304)	Used for Size 28"
		8		Used for Size 32,36"
11	WASHER (A)	4	STAINLESS STEEL (SUS304)	Used for Size 28"
		8		Used for Size 32,36"
10	STEM HOLDER (B)	1	ABS	
7	STEM (A)	1		
6	STEM (B)	1	STAINLESS STEEL (SUS316)	
18	GASKET	1		
9	O-RING (C)	1		
5	O-RING (B)	2	<input type="checkbox"/> EPDM <input type="checkbox"/> FKM	
4	O-RING (A)	16 14		Used for Size 28" Used for Size 32,36"
3	SEAT	1		
2a	INSERTED METAL OF DISC	1	AC4C	
8	BUSH	2	<input type="checkbox"/> PP <input type="checkbox"/> PVDF	
2	DISC	1		
1a	INSERTED METAL OF BODY	2	STEEL CASTING STAINLESS (SCS13)	
1	BODY	1	PDCPD	
No.	DESCRIPTION	QTY	MATERIAL	REMARKS

ITEM	BUTTERFLY VALVE (TYPE 58) ELECTRIC MODEL A TYPE ASSY ANSI Class 150 28" (700mm) ~ 36" (900mm)		
DRAWN	H.Kawano	DATE	SCALE
CHECKED	Y.Yoneda	MAR.10.2023	
APPROVED	K.Koushou	DRAWING No. 58-AE002AE	
SPECIAL ORDER No.	ASAHI YUKIZAI CORPORATION		