

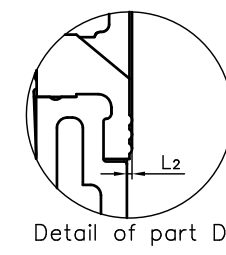
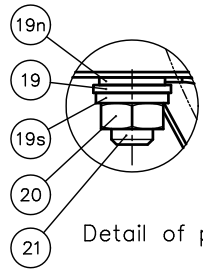
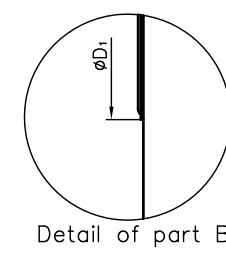
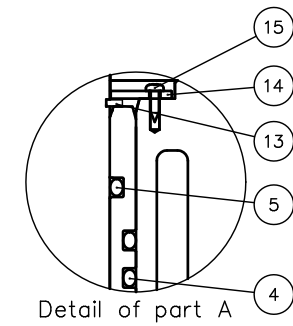
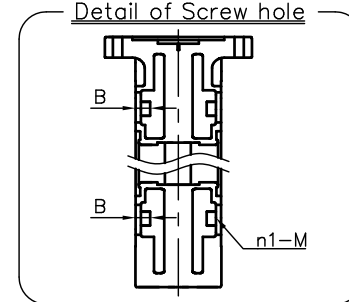
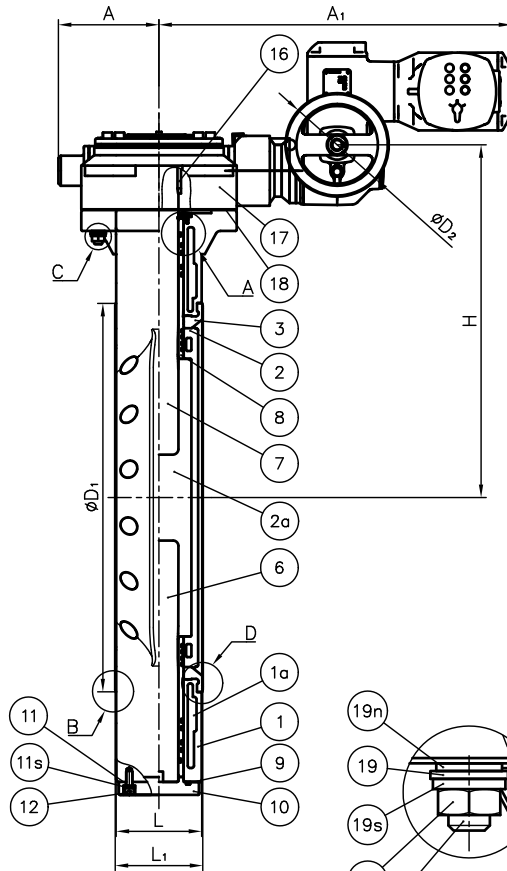
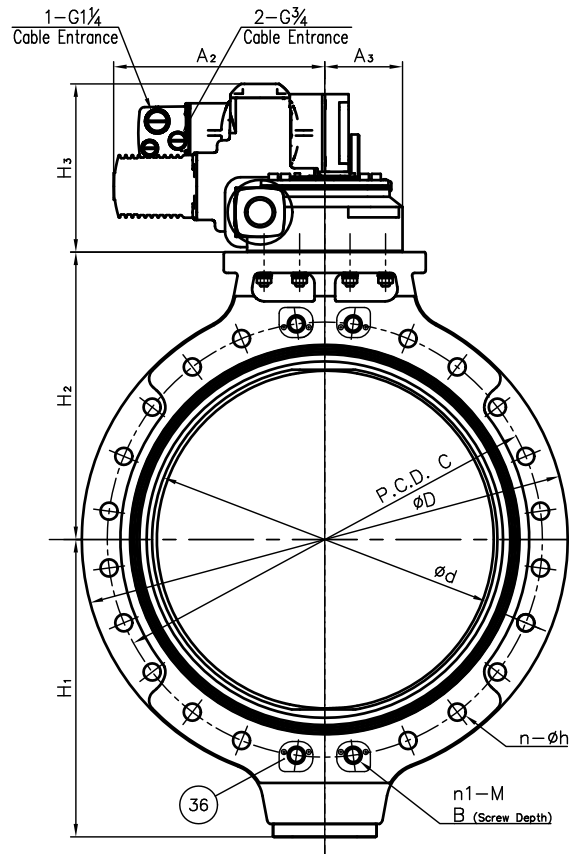
DIMENSION TABLE

UNIT: mm

NOMINAL SIZE	DIN PN10														ACTUATOR Model No.									
	d	C	h	N (Number of Bolt Holes)	n (Through hole)	n1 (Screw hole)		M	B	D	D <sub>1</sub>	D <sub>2</sub>	L	L <sub>1</sub>	L <sub>2</sub>	H	H <sub>1</sub>	H <sub>2</sub>	H <sub>3</sub>	A	A <sub>1</sub>	A <sub>2</sub>	A <sub>3</sub>	
						/side	/total																	
700 <sup>mm</sup> 28 <sup>"</sup>	670	840	33	24	20	4	8	M27	28	938	750	200	165	169	2	681	574	555	324	194	681	408	150	SA10.1.AM01.1.GS125.3
800	32	778	950	33	24	20	4	8	M30	30	1060	869	200	190	4	746	639	620	324	290	757	165	414	SA10.1.AM01.1.GS160.3
900	36	888	1050	33	28	24	4	8	M30	30	1178	979	200	203	4	831	724	705	324	290	757	165	414	SA10.1.AM01.1.GS160.3

NOTE.

- Dimensions "L" is equivalent to ISO5752 flangeless (wafer) short.
- The shape and appearance of assembly differ a little with nominal size compared to this drawing.



18	GASKET	1	EPDM	
36	COVER PLATE	8	ABS	
21	BOLT (B)	8	STAINLESS STEEL (SUS304)	Attachment : Collar
20	NUT	8	STAINLESS STEEL (SUS304)	
19s	SPRING WASHER	8	STAINLESS STEEL (SUS304)	
19	WASHER (B)	8	STAINLESS STEEL (SUS304)	
19n	NORD-LOCK WASHER	8	STAINLESS STEEL (SUS316L)	
35	ACTUATOR	1	ALUMINIUM ALLOYS	Polyurethane Coat. (aurna)
16	KEY	1	CARBON STEEL (S45C)	
15	SCREW	4	STAINLESS STEEL (SUS304)	
14	STEM HOLDER (A)	1	ABS	
13	RETAINING RING C-TYPE	1	STAINLESS STEEL (SUS304)	
12	BOLT (A)	4	STAINLESS STEEL (SUS304)	Used for Size 700 <sup>mm</sup>
		8		Used for Size 800,900 <sup>mm</sup>
11s	SPRING WASHER (No.11)	4	STAINLESS STEEL (SUS304)	Used for Size 700 <sup>mm</sup>
		8		Used for Size 800,900 <sup>mm</sup>
11	WASHER (A)	4	STAINLESS STEEL (SUS304)	Used for Size 700 <sup>mm</sup>
		8		Used for Size 800,900 <sup>mm</sup>
10	STEM HOLDER (B)	1	ABS	
7	STEM (A)	1		
6	STEM (B)	1	STAINLESS STEEL (SUS316)	
18	GASKET	1		
9	O-RING (C)	1		
5	O-RING (B)	2	<input type="checkbox"/> EPDM <input type="checkbox"/> FKM	
4	O-RING (A)	16 14		Used for Size 700 <sup>mm</sup> Used for Size 800,900 <sup>mm</sup>
3	SEAT	1		
2a	INSERTED METAL OF DISC	1	AC4C	
8	BUSH	2	<input type="checkbox"/> PP <input type="checkbox"/> PVDF	
2	DISC	1		
1a	INSERTED METAL OF BODY	2	STEEL CASTING STAINLESS (SCS13)	
1	BODY	1	PDCPD	
No.	DESCRIPTION	QTY	MATERIAL	REMARKS

ITEM	BUTTERFLY VALVE (TYPE 58) ELECTRIC MODEL A TYPE ASSY DIN PN10 700 <sup>mm</sup> (28 <sup>"</sup> ) ~ 900 <sup>mm</sup> (36 <sup>"</sup> )		
DRAWN	H.Kawano	DATE	SCALE
CHECKED	Y.Yoneda	MAR.10.2023	
APPROVED	K.Koushou	DRAWING No. 58-AE002DE	
SPECIAL ORDER No.	ASAHI YUKIZAI CORPORATION		