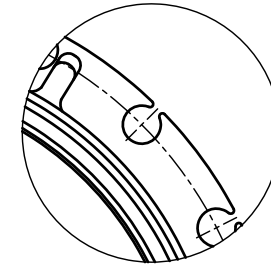
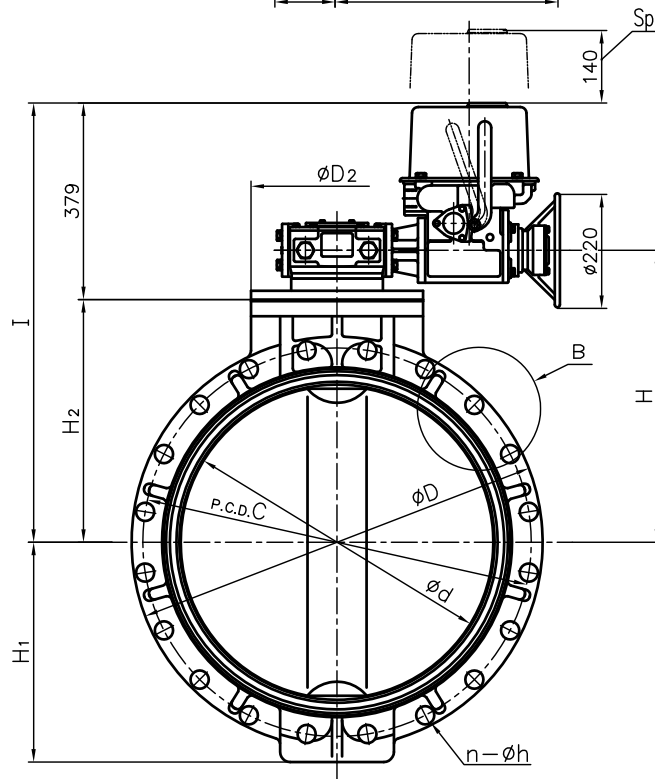


600^{mm} (24") : PVDF
ANSI
The Shape of The Piping Bolt Hole

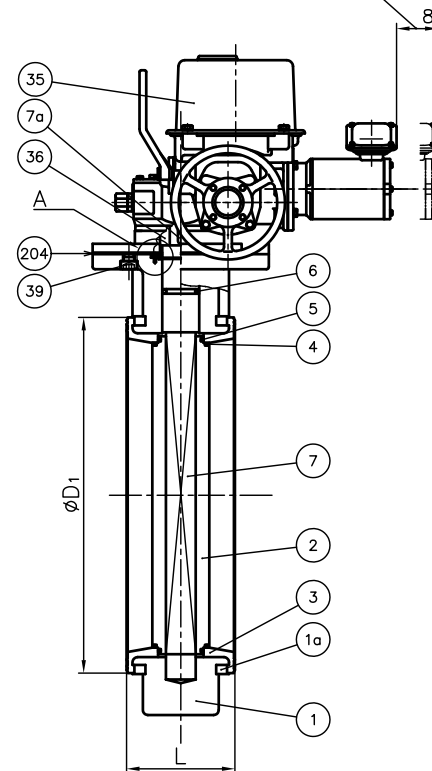


Part "B"



Space for Switch Cover Removal

Space for Moter Removal



DIMENSIONS TABLE

UNIT:mm

NOMINAL SIZE	d	ANSI Class 150			D		D ₁	D ₂	L	H	H ₁	H ₂	I	Actuator Type	Motor Rating Output (Kw)
		C	n	h	PP	PVDF									
450 ^{mm} 18"	452	578	16	32	633	630	525	340	179	468	315	373	752	LTRM-01/BRM-2 (AUTO-RECOVERY TYPE) or LTRH-01/BRM-2 (MANUAL RECOVERY TYPE)	0.4
500	502	635	20	32	683	680	575	340	190	498	350	403	782		
600	603	749.5	20	35	793	790	686	340	209	563	424	468	847		

NOTE. The shape and appearance of assembly differ a little with nominal size compared to this drawing.

No.	DESCRIPTION	QTY.	MATERIAL	REMARKS
204	GASKET (O)	1	EPDM	
157	SCREW (F)	4	STAINLESS STEEL (SUS304)	
1a	RING	2	STEEL (SS400) with Epoxy Powder Coat.	
39	BOLT (K)	4	STAINLESS STEEL (SUS304)	
36	STEM BUSH	1	CARBON STEEL (S45C)	
35	ACTUATOR	1	DUCTILE IRON (FCD450) etc.	Epoxy coat.
8	STEM HOLDER (A)	1	PP	
7b	SNAPRING	1	STAINLESS STEEL (SUS304)	
7a	KEY (A)	1	CARBON STEEL (S45C)	
7	STEM	1	STAINLESS STEEL (SUS403)	
6	O-RING (C)	1		
5	O-RING (B)	2	<input type="checkbox"/> EPDM <input type="checkbox"/> FKM <input type="checkbox"/> Others	
4	O-RING (A)	2		
3	SEAT	1		
2	DISC	1	<input type="checkbox"/> BODY/DISC <input type="checkbox"/> PP/PP <input type="checkbox"/> PVDF/PVDF	
1	BODY	1		
No.	DESCRIPTION	QTY.	MATERIAL	REMARKS

ITEM	BUTTERFLY VALVE (TYPE75) ELECTRIC ACTUATED S TYPE ASS'Y □AUTO-RECOVERY TYPE, □MANUAL RECOVERY TYPE ANSI Class 150 450 ^{mm} (18") ~600 ^{mm} (24")		
DRAWN	M.Iwakiri	DATE	SCALE
CHECKED	H.Kawano	SEP.5.2019	
APPROVED	K.Koushou	DRAWING No. BF-AE004AE _m	
SPECIAL ORDER No.	ASAHI YUKIZAI CORPORATION		