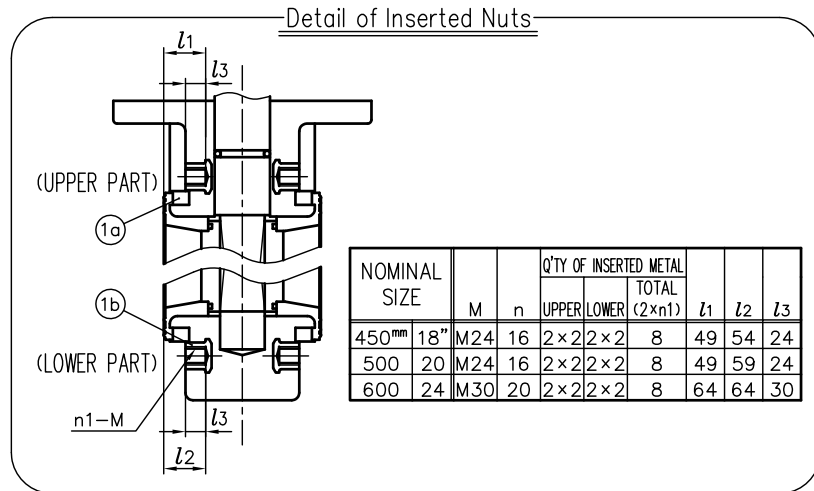
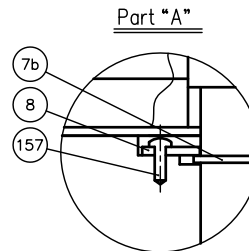
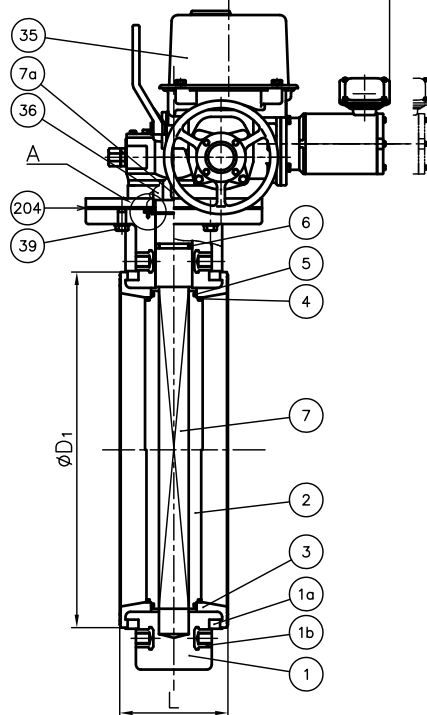
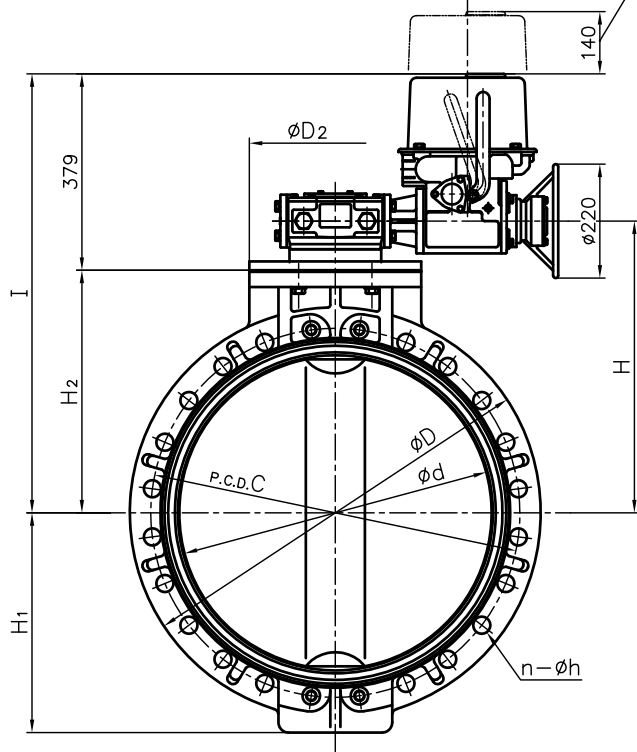


Space for Switch Cover Removal

Space for Motor Removal



NOMINAL SIZE	M	n	Q'TY OF INSERTED METAL			L1	L2	L3
			UPPER	LOWER	TOTAL (2xn1)			
450mm 18"	M24	16	2x2	2x2	8	49	54	24
500	M24	16	2x2	2x2	8	49	59	24
600	M30	20	2x2	2x2	8	64	64	30

DIMENSIONS TABLE

UNIT: mm

NOMINAL SIZE	d	JIS 10K					D		D1	D2	L	H	H1	H2	I	Actuator Type	Motor Rating Output (Kw)
		C	n	h	n1	M	PP	PVDF									
450mm 18"	452	565	16	27	4	M24	633	630	525	340	179	468	315	373	752	LTRM-01/BRM-2 (AUTO-RECOVERY TYPE) or LTRH-01/BRM-2 (MANUAL RECOVERY TYPE)	0.4
500	502	620	16	27	4	M24	683	680	575	340	190	498	350	403	782		
600	603	730	20	33	4	M30	793	790	686	340	209	563	424	468	847		

NOTE. The shape and appearance of assembly differ a little with nominal size compared to this drawing.

No.	DESCRIPTION	QTY.	MATERIAL	REMARKS
204	GASKET (O)	1	EPDM	
157	SCREW (F)	4	STAINLESS STEEL (SUS304)	
1b	INSERTED METAL OF BODY	8	COPPER ALLOY (C3604)	
1a	RING	2	STEEL (SS400) with Epoxy Powder Coat.	
39	BOLT (K)	4	STAINLESS STEEL (SUS304)	
36	STEM BUSH	1	CARBON STEEL (S45C)	
35	ACTUATOR	1	DUCTILE IRON (FCD450) etc.	Epoxy coat.
8	STEM HOLDER (A)	1	PP	
7b	SNAPRING	1	STAINLESS STEEL (SUS304)	
7a	KEY (A)	1	CORBON STEEL (S45C)	
7	STEM	1	STAINLESS STEEL (SUS403)	
6	O-RING (C)	1	□ EPDM □ FKM □ Others ()	
5	O-RING (B)	2		
4	O-RING (A)	2		
3	SEAT	1		
2	DISC	1	BODY/DISC □ PP/PP	
1	BODY	1	□ PVDF/PVDF	
No.	DESCRIPTION	QTY.	MATERIAL	REMARKS

ITEM	BUTTERFLY VALVE (TYPE75) ELECTRIC ACTUATED S TYPE ASS'Y □AUTO-RECOVERY TYPE, □MANUAL RECOVERY TYPE JIS 10K 450mm (18") ~600mm (24")		
DRAWN	E.Ozaki	DATE	SCALE
CHECKED	H.Kawano	JAN.30.2018	
APPROVED	H.Kourogi	DRAWING No. BF-AE004JE	
SPECIAL ORDER No.	ASAHI YUKIZAI CORPORATION		