

DIMENSIONS TABLE

Unit: mm

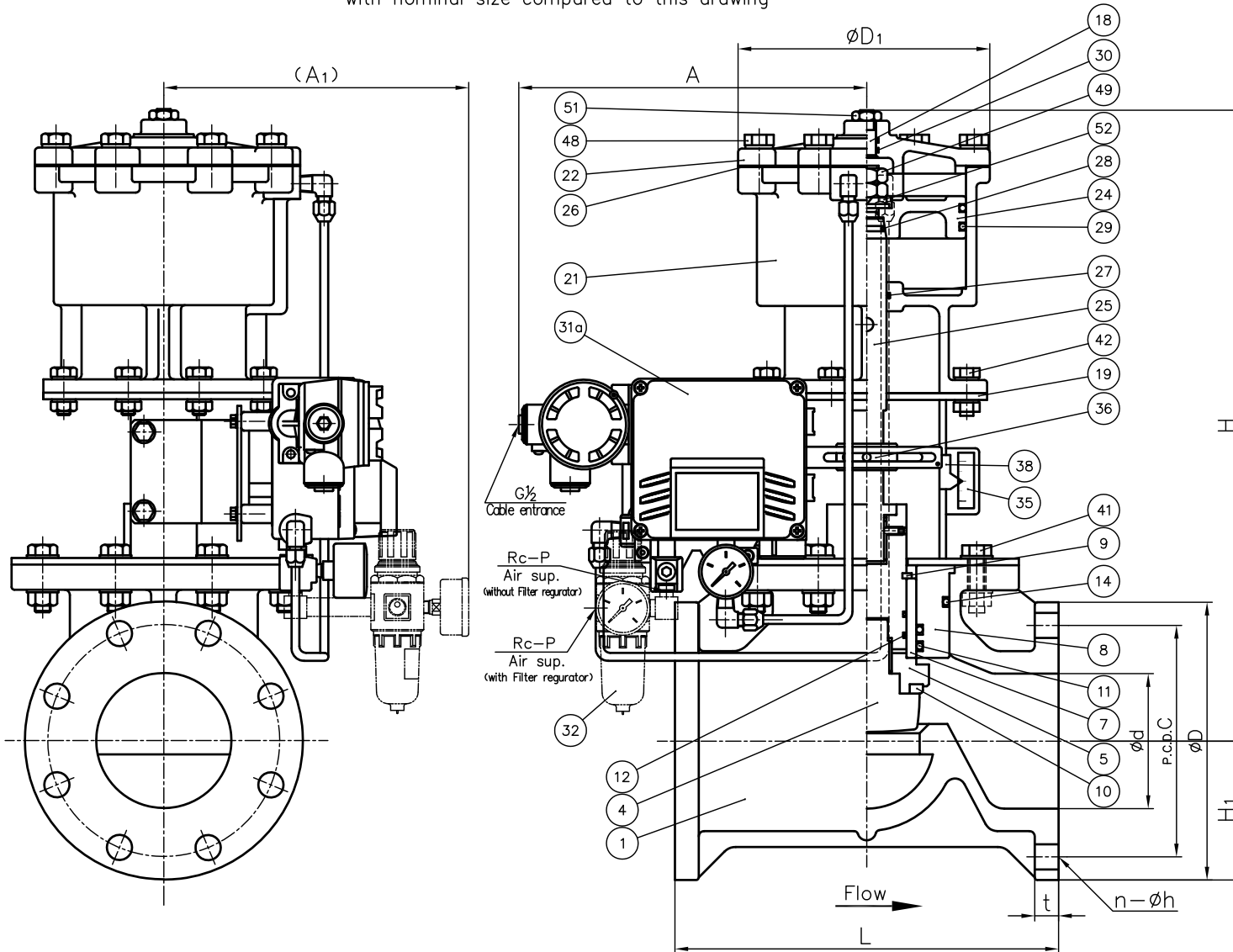
Nominal Size	d	ANSI Class 150					D ₁	L	t	H	H ₁	A	A ₁	P
		D	C	n	h									
50mm 2"	52	152	120.5	4	19	147	200	16	381	77.5	256	229	1/4	
80 3	78	191	152.5	4	19	147	240	18	420	92.5	261	230	1/4	
100 4	100	229	190.5	8	19	208	290	18	477	105	266	230	1/4	

NOTE. 1. Operating pressure : 0.4MPa G
 2. The shape and appearance of assembly differ a little with nominal size compared to this drawing

LIFT TABLE

Unit: mm

Nominal Size	PORT SIZE	PORT SIZE	
		S	L
50mm 2"	26	28	
80 3	30	28	
100 4	32	28	



52	SPRING WASHER	1	SPRING STEEL	SUP
51	NUT (C)	1	STAINLESS STEEL	SUS304
49	NUT (A)	2	STAINLESS STEEL	SUS304
48	BOLT (G)	-	STAINLESS STEEL	SUS304
42	BOLT · NUT (B)	-	STAINLESS STEEL	SUS304
41	BOLT · NUT (A)	-	STAINLESS STEEL	SUS304
38	INDICATOR	1	STAINLESS STEEL	SUS304
36	COUPLING	1	COPPER ALLOY	C3604
35	INDICATOR SEAL	1	ACRYL	
32	FILTER REGULATOR	-	ZINC ALLOYS DIE CASTING (ZDC2) etc.	□ ARU2-02-8A-G □ nothing
31a	E-P POSITIONER	1	ALUMINUM ALLOYS DIE CASTINGS (ADC12) etc.	YT-1000L
30	O-RING (H)	2	NBR	
29	O-RING (G)	2	NBR	
28	O-RING (F)	1	NBR	
27	O-RING (E)	1	NBR	
26	PACKING	1	NBR	
25	STEM	1	STAINLESS STEEL	SUS304
24	PISTON (B)	1	CAST ALUMINUM ALLOY	AC5A
22	CYLINDER COVER	1	CAST ALUMINUM ALLOY (AC4C)	epoxy coat.
21	CYLINDER	1	CAST ALUMINUM ALLOY (AC4C)	epoxy coat.
19	STAND	1	STAINLESS STEEL	SUS304
18	SEAL ROD	1	STAINLESS STEEL	SUS304
14	O-RING (D)	1	□ EPDM □ Viflon-F	
12	O-RING (B)	2	□ Viflon-F □ Viflon-C	
11	O-RING (A)	2	□ others	
10	SEAT	1	()	
9	STOP RING	1	PVDF	
8	BUSH GUIDE	1	PVC	
7	BUSH	1	PTFE	
5	PISTON (A)	1	PVC	
4	PLUG	1	PVC	
1	BODY	1	PVC	

No.	DESCRIPTION	QTY.	MATERIAL	REMARKS
ITEM CONTROL VALVE PNEUMATIC ACTUATED MODEL TYPE AV ASSY DOUBLE ACTING ANSI Class 150 : 50mm (2") ~ 100mm (4") with E-P POSITIONER, FILTER REGULATOR				
DRAWN	M.Iwakiri	DATE	SCALE	
CHECKED	H.Kawano	JUL.1.2019		
APPROVED	K.Koushou	DRAWING No.		
SPECIAL ORDER No.	CV-AA032AEm			
ASAHI YUKIZAI CORPORATION				