

PORT SIZE 0.59, 0.79, 0.98"

DIMENSIONS TABLE

Unit: inch

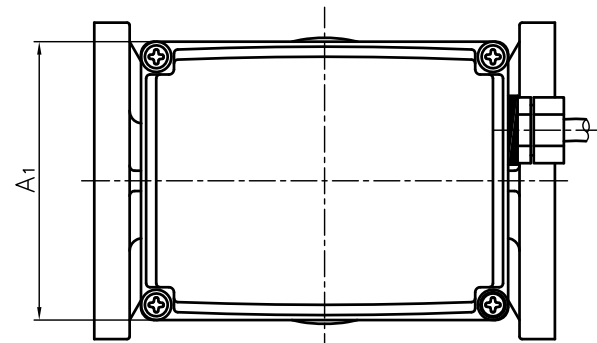
Nominal Size	d	ANSI Class 150					L	t	D <sub>1</sub>	H	H <sub>1</sub>	A	A <sub>1</sub>	Actuator Model
		D	C	n	h									
1/2" 15mm	0.63	3.50	2.38	4	0.62	6.30	0.47	4.02	13.19	2.01	5.75	4.33	MSP-6	
1 25	0.98	4.25	3.12	4	0.62	7.24	0.55	4.57	13.94	2.48	5.75	4.33	MSP-6	

NOTE. The shape and appearance of assembly differ a little with nominal size compared to this drawing.

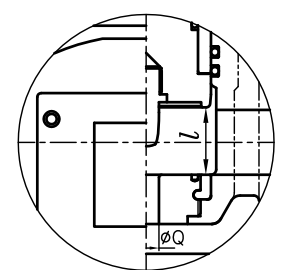
LIFT (L) TABLE

Unit: inch

SIZE	QUALITY	PORT SIZE $\phi Q$					
		0.24	0.31	0.39	0.59	0.79	0.98
1/2"	EQ%	0.67	0.63	0.67	0.71	/	/
	Linear	0.63	0.63	0.59	0.63	/	/
1"	EQ%	0.65	0.63	0.63	0.63	0.87	0.94
	Linear	0.63	0.63	0.55	0.59	0.77	0.98



X-X



PORT SIZE 0.27, 0.31, 0.39"

54	SCREW (B)	1	STAINLESS STEEL	SUS304
46	SCREW (A)	1	STAINLESS STEEL	SUS304
45	BOLT · NUT (E)	2sets	STAINLESS STEEL	SUS304
42	BOLT (A)	4	STAINLESS STEEL	SUS304
41	BOLT · NUT (A)	4sets	STAINLESS STEEL	SUS304
38	INDICATOR	1	STAINLESS STEEL	SUS304
35	INDICATOR SEAL	1	ACRYL	
20	ACTUATOR	1	ALUMINIUM ALLOY etc.	
19	STAND	1	STAINLESS STEEL	SUS304
16	NAME PLATE	2	ALUMINIUM	
12	O-RING (B)	1	□EPDM □Viflon <sup>®</sup> F	
11	O-RING (A)	2	□Viflon <sup>®</sup> C □others	
10	SEAT	1	( )	
9	STOP RING	1	PVDF	
7	BUSH	1	PTFE	
6	PISTON HOLDER	1	PVC	
5	PISTON (A)	1	PVC	
4	PLUG	1	PVC	
3	ORIFICE TUBE	1	PVC	
1	BODY	1	PVC	
No.	DESCRIPTION	QTY.	MATERIAL	REMARKS

ITEM	CONTROL VALVE ELECTRIC MODEL M TYPE ASS'Y ANSI Class 150 : 1/2" (15mm) · 1" (25mm)		
DRAWN	M.Iwakiri	DATE	SCALE
CHECKED	H.Kawano	SEP.10.2019	~
APPROVED	K.Koushou	DRAWING No.	
SPECIAL ORDER No.		CV-AE003AE	△
<b>ASAHI YUKIZAI CORPORATION</b>			