

DIMENSIONS TABLE

Unit: mm

Nominal Size	d	JIS 10K					L	t	H	H1	A1	A2	A3	Actuator Type
		D	C	n	h									
50mm	2	52	155	120	4	19	200	16	431	77.5	101	81	140	PSN1
80	3	78	185	150	8	19	240	18	448.5	92.5	101	81	140	PSN1
100	4	100	210	175	8	19	290	18	503.5	105	110	90	150	PSN3

Space for switch cover removal

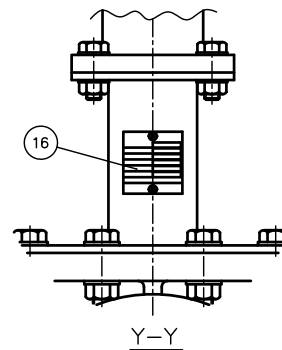
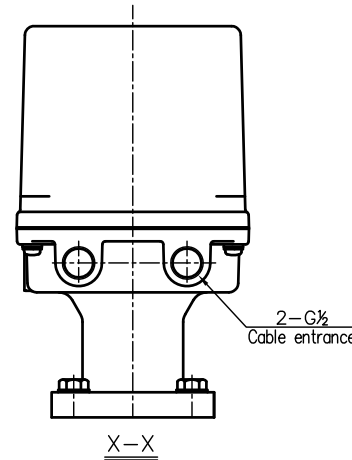
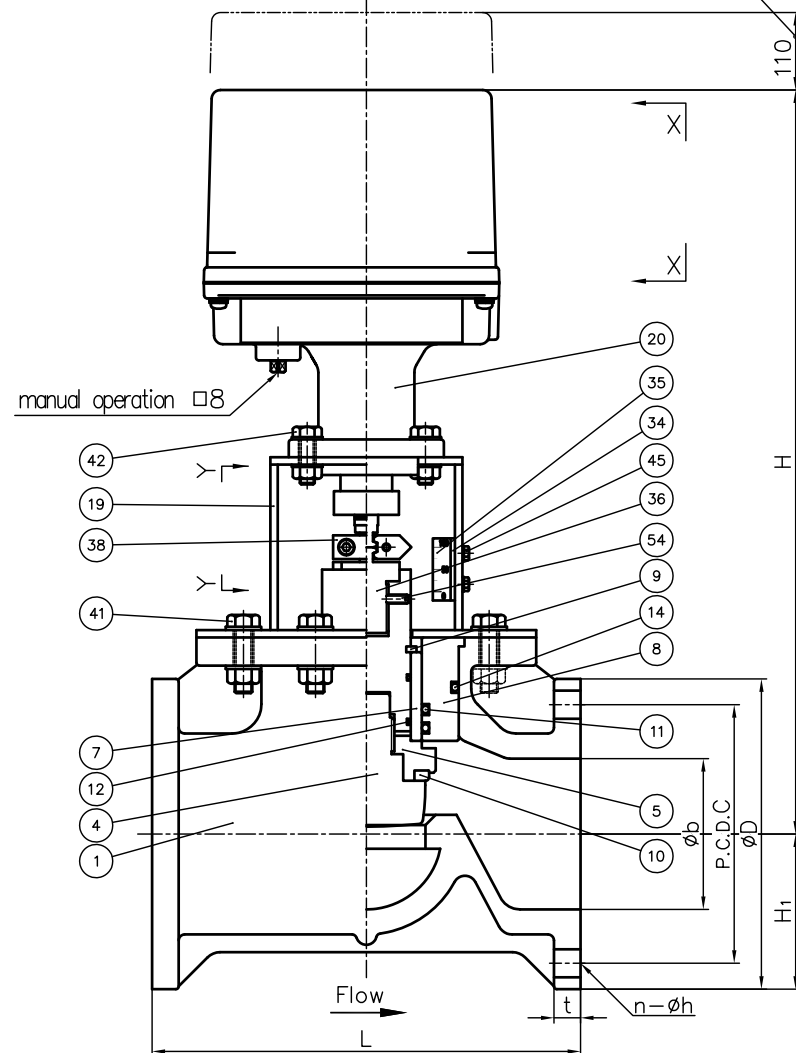
LIFT TABLE

Unit:mm

Nominal Size	PORT SIZE	PORT SIZE	
		S	L
50mm	2"	26	28
80	3	30	28
100	4	32	28

NOTE.

The shape and appearance of assembly differ a little with nominal size compared to this drawing.



54	SCREW (B)	1	STAINLESS STEEL	SUS304
45	BOLT · NUT (E)	2sets	STAINLESS STEEL	SUS304
42	BOLT · NUT (B)	4sets	STAINLESS STEEL	SUS304
41	BOLT · NUT (A)	—	STAINLESS STEEL	SUS304
38	INDICATOR	1	COPPER ALLOY	C3604
36	COUPLING	1	STAINLESS STEEL	SUS304
35	INDICATOR SEAL	1	ACRYL	
34	INDICATOR PLATE	1	STAINLESS STEEL	SUS304
20	ACTUATOR	1	ALUMINIUM ALLOY etc.	
19	STAND	1	STAINLESS STEEL	SUS304
16	NAME PLATE	1	ACRYL	
12	O-RING (B)	2	□EPDM □Viflon-F	
11	O-RING (A)	2	□Viflon-C □Others	
10	SEAT	1	()	
9	STOP RING	1	PVDF	
8	BUSH GUIDE	1	PVC	
7	BUSH	1	PTFE	
5	PISTON (A)	1	PVC	
4	PLUG	1	PVC	
1	BODY	1	PVC	
No.	DESCRIPTION	QTY.	MATERIAL	REMARKS

ITEM	CONTROL VALVE ELECTRIC MODEL M TYPE ASS'Y JIS 10K 50mm (2") ~ 100mm (4")		
DRAWN	M.Iwakiri	DATE	SCALE
CHECKED	H.Kawano	AUG.8.2019	~
APPROVED	K.Koushou	DRAWING No. CV-AE005JE	
SPECIAL ORDER No.	ASAHI YUKIZAI CORPORATION		