

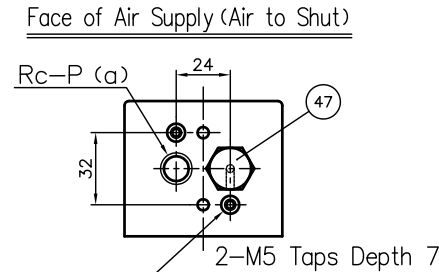
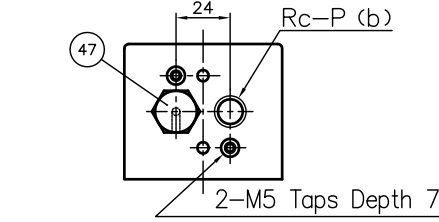
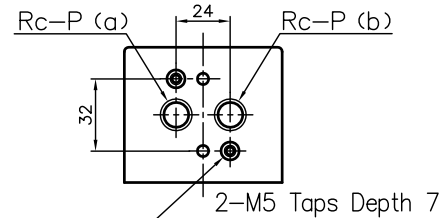
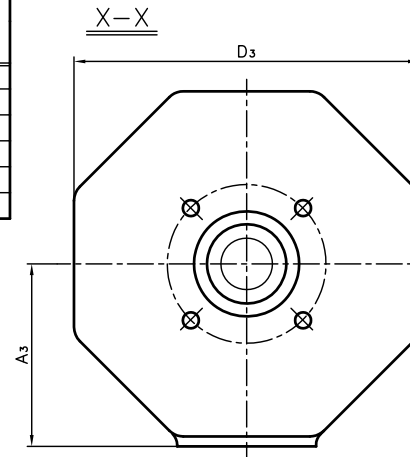
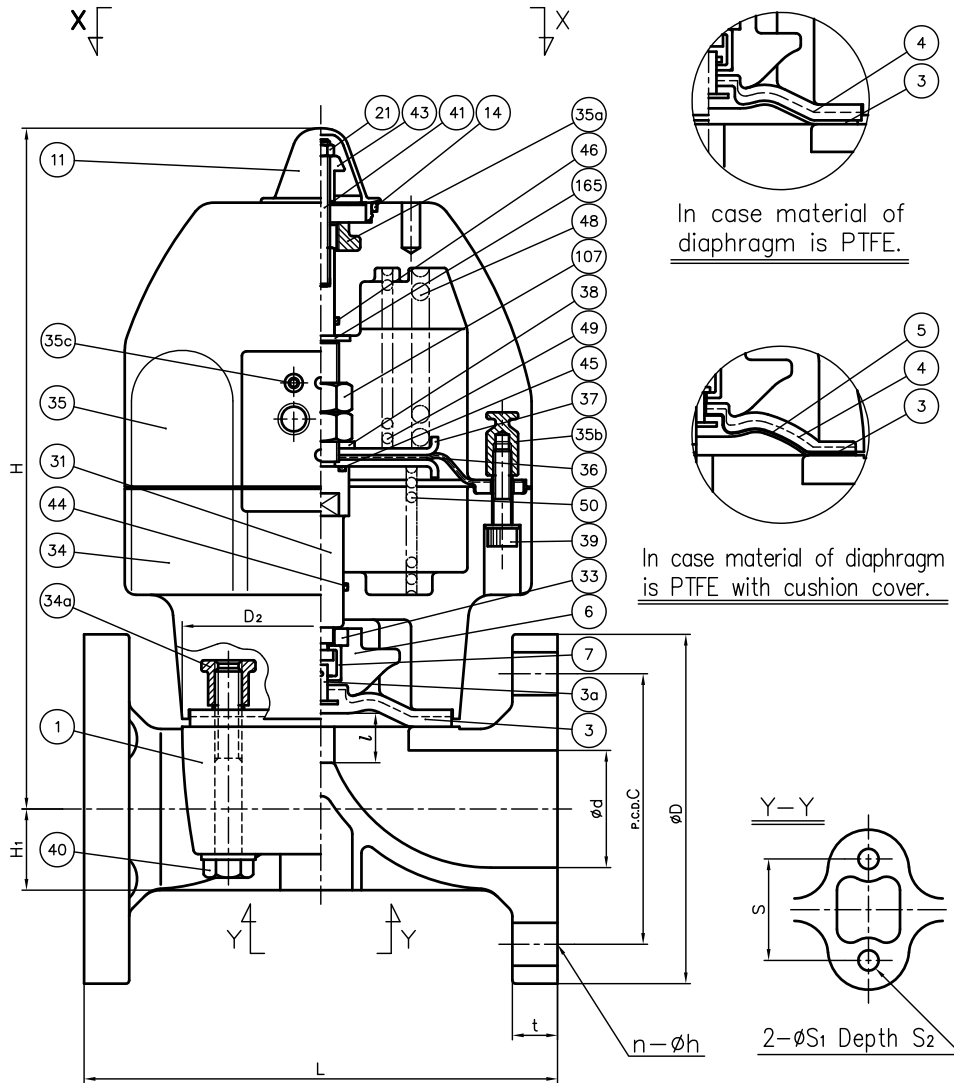
DIMENSIONS TABLE

UNIT: mm

NOMINAL SIZE	d	DIN PN10				D ₂	D ₃	L	t	l (LIFT)	H	H ₁	A ₃	S	S ₁	S ₂	P
		D	C	n	h												
15mm 1/2	16	95	65	4	14	54×66	130	130	12	10	186	19.5	68	25	7	13	1/4
20 3/4	20	105	75	4	14	54×66	130	150	13	10	188	17.5	68	25	7	13	1/4
25 1	25	115	85	4	14	67×80	130	160	13	12	193	18.5	68	25	7	13	1/4
32 1 1/4	32	140	100	4	18	67×80	130	180	16	12	197	22.5	68	25	7	13	1/4
40 1 1/2	40	150	110	4	18	108×108	174	200	20	21	293	27.5	92	45	9	15	1/4
50 2	52	165	125	4	18	123×123	174	230	22	25	302	36	92	45	9	15	1/4

NOTE.

- Operation of permission pressure: 0.4~0.6MPa G
Air to open : 25~50mm³ : 0.45~0.6MPa G
(only fluid pressure is 0)
- Double Acting : Valve open : Port (a) Exhaust
Port (b) Supply
Valve shut : Port (a) Supply
Port (b) Exhaust
Air To Open : Valve open : Port (a) Supply
Valve shut : Port (b) Exhaust
Air To Shut : Valve open : Port (a) Exhaust
Valve shut : Port (a) Supply
- Diaphragms except EPDM and PTFE are available in FKM, VIFLON-C (FKM-C), VIFLON-F (FKM-F), CSM and NBR when required.
- The shape and appearance of assembly differ a little with nominal size compared to this drawing.



165	WASHER (A)	1	STAINLESS STEEL	SUS304
107	LOCK NUT	2	STAINLESS STEEL	SUS304
50	SPRING (C)	1	SPRING STEEL (SWO5M-B)	Used for Air to Shut
49	SPRING (B)	1	SPRING STEEL (SWO5M-B)	Used for Air to Open
48	SPRING (A)	1	SPRING STEEL (SWO5M-B)	Used for Air to Open
47	NIPPLE	1	COPPER ALLOY (C3604)	Used for Air to Shut and Air to Open
46	O-RING (F)	1	NBR	
45	O-RING (E)	1	NBR	
44	O-RING (D)	1	NBR	
43	STOPPER	1	STAINLESS STEEL	SUS304
41	INDICATING ROD	1	STAINLESS STEEL	SUS304
40	BOLT (B)	4	STAINLESS STEEL	SUS304
39	BOLT (A)	8	STAINLESS STEEL	SUS304
38	CONICAL SPRING WASHER (B)	1	STAINLESS STEEL	SUS304
37	CYLINDER DIAPHRAGM PLATE	2	STAINLESS STEEL	SUS304
36	CYLINDER DIAPHRAGM	1	NBR	
35c	SCREWED METAL OF CYLINDER BONNET	2	STAINLESS STEEL	SUS303
35b	INSERTED METAL OF CYLINDER BONNET (B)	8	COPPER ALLOY	C3604
35a	INSERTED METAL OF CYLINDER BONNET (A)	1	STAINLESS STEEL	SUS304
35	CYLINDER BONNET	1	PPG	
34a	INSERTED METAL OF CYLINDER BODY	1	COPPER ALLOY	C3604
34	CYLINDER BODY	1	PPG	
33	COMPRESSOR PUSHING PLATE	1	COPPER ALLOY	C3604
31	STEM (A)	1	COPPER ALLOY	C3604
21	NUT	1	STAINLESS STEEL	SUS304
14	O-RING (A)	1	EPDM	
11	GAUGE COVER	1	PC	
7	JOINT	1	STAINLESS STEEL	SUS304
6	COMPRESSOR	1	PVDF	
5	CUSHION COVER	1	□ Nothing □ PVDF	Used for PTFE Diaphragm
4	CUSHION	1	EPDM	Used for PTFE Diaphragm
3a	INSERTED METAL OF DIAPHRAGM	1	STAINLESS STEEL	SUS304
3	DIAPHRAGM	1	□EPDM □PTFE □Others ()	
1	BODY	1	□PVC □C-PVC □PP □PVDF	

No.	DESCRIPTION	QTY.	MATERIAL	REMARKS
ITEM	DIAPHRAGM VALVE (TYPE14) PNEUMATIC ACTUATED MODEL TYPE AN ASSY □DOUBLE ACTING, □AIR TO OPEN, □AIR TO SHUT DIN PN10 : FLANGED END 15mm (1/2") ~ 50mm (2")			
DRAWN	M.Iwakiri	DATE	SCALE	
CHECKED	H.Kawano	FEB.7.2019		
APPROVED	K.Koushou	DRAWING No.		
		D1-AA016DE		
SPECIAL ORDER No.	ASAHI YUKIZAI CORPORATION			