

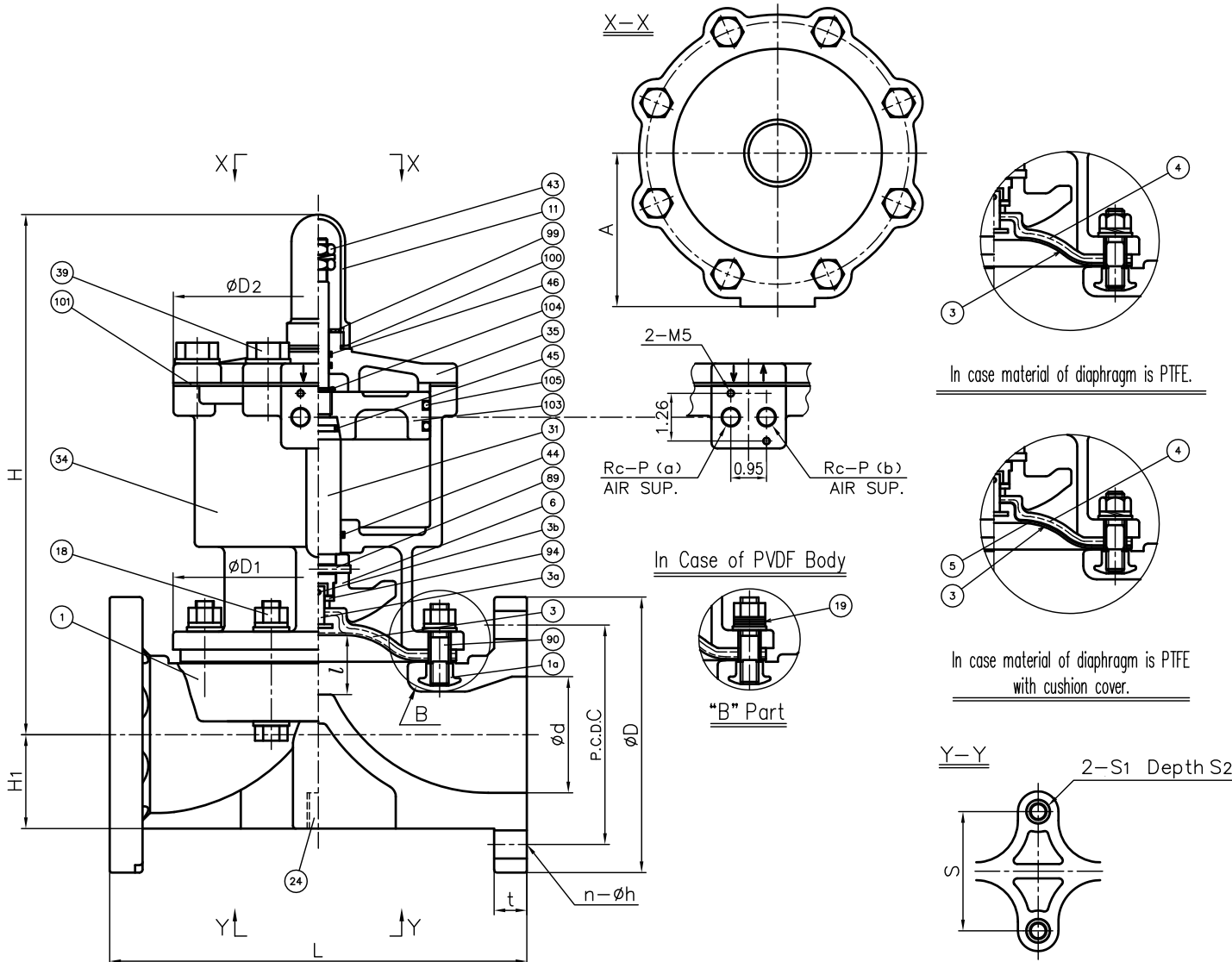
DIMENSIONS TABLE

UNIT : inch

NOMINAL SIZE	d	ANSI Class 150				D1	D2	A	λ (LIFT)	L		t		H	H1	S	S1	S2	P	
		D	C	n	h					GRINNEL STANDERD	AV STANDERD	PVC C-PVC	PP PVDF							
2½"	65mm	2.64	7.00	5.50	4	0.75	6.73	8.19	4.06	1.34	—	9.84	0.87	0.91	12.72	2.40	3.55	M8	0.59	¼
3	80	3.07	7.50	6.00	4	0.75	7.68	8.19	4.06	1.65	10.37	11.02	0.87	0.91	13.94	2.48	3.94	M12	0.87	¼
4	100	3.94	9.00	7.50	8	0.75	9.25	9.84	4.72	1.97	12.93	13.39	0.87	0.94	16.42	3.07	4.72	M12	0.87	¼

NOTE.

- Operation of permission pressure: 0.4~0.6MPa G  
Valve open : Port (a) Exhaust  
Port (b) Supply  
Valve shut : Port (a) Supply  
Port (b) Exhaust
- Diaphragms except EPDM and PTFE are available in FKM, VIFLON® C (FKM-C), VIFLON® F (FKM-F), CSM and NBR when required.
- The shape and appearance of assembly differ a little with nominal size compared to this drawing.



105	O-RING (H)	2	NBR	
104	STEM PIN	1	SPRING STEEL (SUP)	
103	PISTON	1	CAST ALUMINUM ALLOY (ACSA)	
101	SHEET GASKET (B)	1	NBR	
100	SHEET GASKET (A)	1	EPDM	
99	VALVE SHEET	1	STAINLESS STEEL (SUS304)	
94	METAL OF COMPRESSOR	1	STAINLESS STEEL (SUS304)	
90	STUD BOLT·NUT	4Sets	STAINLESS STEEL (SUS304)	
89	COMPRESSOR PIN	1	STAINLESS STEEL (SUS304)	
46	O-RING (F)	2	NBR	
45	O-RING (E)	1	NBR	
44	O-RING (D)	1	NBR	
43	STOPPER	1	STAINLESS STEEL (SUS304)	
39	BOLT (A)	—	STAINLESS STEEL (SUS304)	
35	CYLINDER BONNET	1	CAST ALUMINUM ALLOY (ACAC)	Epoxy Coat
34	CYLINDER BODY	1	CAST ALUMINUM ALLOY (ACAC)	Epoxy Coat
31	STEM (A)	1	STAINLESS STEEL (SUS304)	
24	ENSAT FOR BODY	2	COPPER ALLOY (Equal: C3604)	
19	CONICAL SPRING WASHER (A)	—	STAINLESS STEEL (SUS304)	Used for PVDF Body
18	BOLT·NUT (A)	—	STAINLESS STEEL (SUS304)	
11	GAUGE COVER	1	PC	
6	COMPRESSOR	1	PVDF	
5	CUSHION COVER	1	<input type="checkbox"/> Nothing <input type="checkbox"/> PVDF	Used for PTFE Diaphragm
4	CUSHION	1	EPDM	Used for PTFE Diaphragm
4	DIAPHRAGM PIN	1	STAINLESS STEEL (SUS304)	
3a	INSERTED METAL OF DIAPHRAGM	1	STAINLESS STEEL (SUS304)	
3	DIAPHRAGM	1	<input type="checkbox"/> EPDM <input type="checkbox"/> PTFE <input type="checkbox"/> Others ( )	
1a	INSERTED NUT	4	COPPER ALLOY (C3604) STAINLESS STEEL (SUS304)	Used for PVC,C-PVC,PP Body Used for PVDF Body
1	BODY	1	<input type="checkbox"/> PVC <input type="checkbox"/> C-PVC <input type="checkbox"/> PP <input type="checkbox"/> PVDF	

No.	DESCRIPTION	QTY.	MATERIAL	REMARKS
ITEM	DIAPHRAGM VALVE (TYPE 14) PNEUMATIC ACTUATED MODEL TYPE AV ASSY DOUBLE ACTING ANSI Class 150 : FLANGED END 2½" (65mm) ~ 4" (100mm)			
DRAWN	M.Iwakiri	DATE	SCALE	
CHECKED	H.Kawano	FEB.7.2019		
APPROVED	K.Koushou	DRAWING No.		
		D1-AA017AE		③
SPECIAL ORDER No.	ASAHI YUKIZAI CORPORATION			